

Fuel Oil Pre-Heater

Features

- Brass tubes, headers, shell and end hubs
- Cast iron end bonnets
- Brass baffles
- Steel mounting brackets



Pressure and Temperature Ratings

Operating Pressure

Tubes 150 psi
Shell 250 psi

Test Pressure

Tubes 225 psi
Shell 300 psi

Operating Temperature

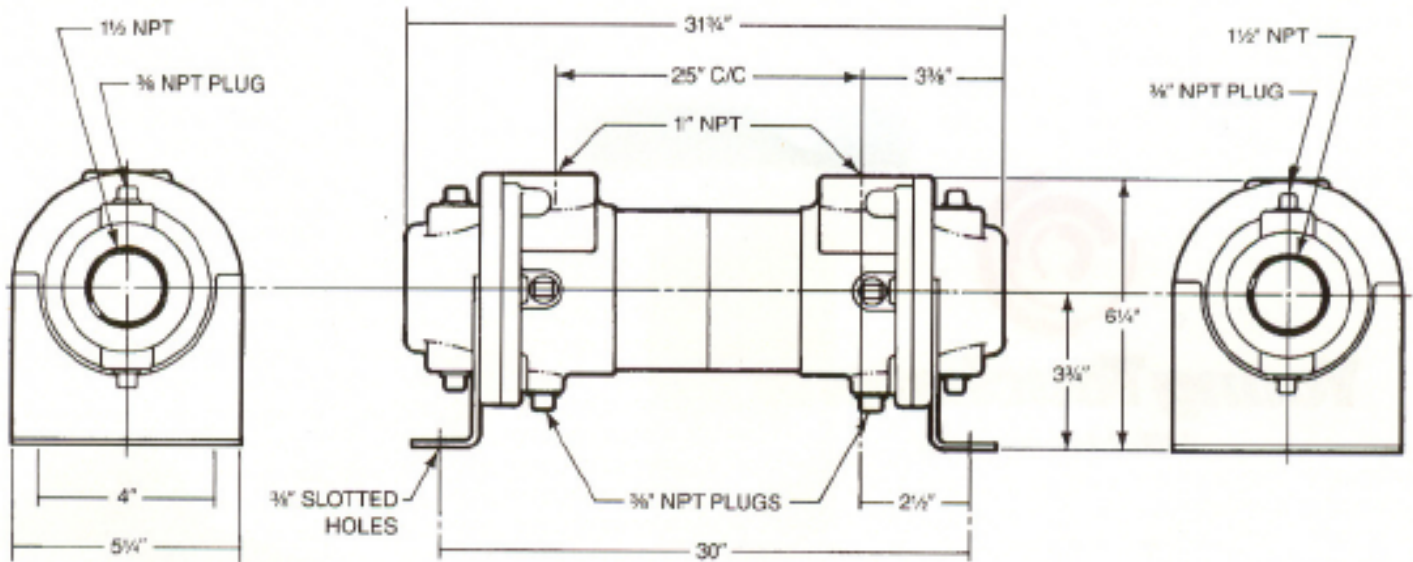
350° F

Young Touchstone Part Number: 354620

Replaces EMD Part Number: 9517269

Young Touchstone
7270 S 13th St, Ste 201
Oak Creek, WI 53154
PH: (414) 768-7420
FX: (414) 762-0632

WATER 140F, 20 GPM FUEL OIL 4 GPM



Young Touchstone Fuel Oil Pre Heater Performance

