

weldotron®

PRODUCTION SHRINK TUNNELS

7220 series shrink tunnels combine the latest in modern design with the time-tested features that have made Weldotron tunnels the choice of knowledgeable users for many years. 7220 series tunnels are constructed of heavy duty structural steel to ensure years of dependable performance in continuous production environments. Features include heavy duty blower, variable air velocity control,

precise thermostatic heat temperature control, and variable speed roller conveyor, instantly adjustable between rotate and non-rotate

ALSO AVAILABLE: 7220 MB SERIES

The 7220 MB series incorporates a heavy duty stainless steel mesh belt conveyor with inclined plane interior for good bottom sink.



Model 7221

Packaging - Processing

Bid on Equipment

1-847-683-7720

www.bid-on-equipment.com

7220 SERIES FEATURES:

- Heat thermostatically controlled up to 450 degrees F., plus or minus 1% of full scale.
- Variable air velocity control.
- Separate shrink chamber and conveyor.
- Fully insulated heat chamber.
- Air-cooled controls for longer life.
- Double entry and exit curtains for greater efficiency, minimum heat loss.
- Adjustable heat pattern.
- Includes sturdy steel base, caster-mounted for mobility.
- Rotating or non-rotating roller conveyor. (7200 series)
- Heavy duty stainless steel mesh conveyor. (7220 MB series)

OPTIONAL ACCESSORIES:

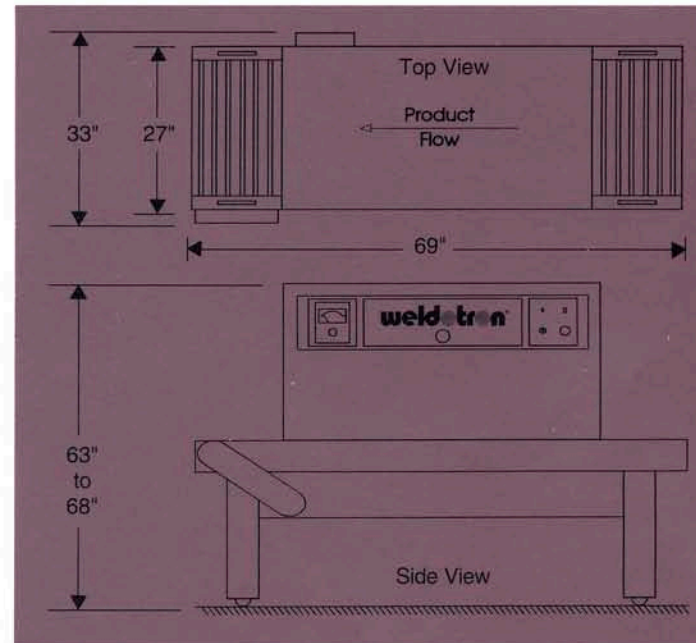
- Additional rollers
- Fiberglass mesh conveyor belt
- Stainless steel mesh conveyor belt
- Whiteline finish for food applications
- Stainless steel construction
- Spare Parts Kit

SPECIFICATIONS:

	MODEL 7221	MODEL 7222	MODEL 7221 MB	MODEL 7222MB
Electrical Requirements:	230 V., 42 Amp., 3 Ph.	230 V., 47 Amp., 3 Ph.	230 V., 42 Amp., 3 Ph.	230 V., 47 Amp., 3 Ph.
Heater Bank:	14,000 Watts	16,000 Watts	14,000 Watts	16,000 Watts
Shrink Chamber Height:	8"	14"	8"	14"
Shrink Chamber Width:	22"	22"	22"	22"
Conveyor Type:	Teflon Covered Roller	Teflon Covered Roller	Stainless Steel Mesh Belt	Stainless Steel Mesh Belt
Conveyor Speed:	0-125 FPM	0-125 FPM	0-70 FPM	0-70 FPM
Conveyor Length:	69"	69"	69"	69"
Conveyor Width:	20"	20"	20"	20"
Maximum Machine Height:	63"	68"	63"	68"
Overall Machine Width:	30½"	30½"	30½"	30½"
Overall Machine Length:	69"	69"	69"	69"



Model 7221 MB



weldotron®

**Packaging - Processing
Bid on Equipment**

1-847-683-7720

www.bid-on-equipment.com