

**WGO - Gold Series Oil Boiler
Weil-McLain**



Water without
Tankless Heater
Chimney Vent
MBH: 86-295
Avg. Efficiency: 85%

- ▶ **HIGH EFFICIENCY**
- ▶ **EASY TO INSTALL AND SERVICE**
- ▶ **MADE WITH WEIL-McLAIN QUALITY**

APPLICATIONS INCLUDE:

Residential
Light Commercial
Multiple Boilers
Indirect-fired Water Heating
Radiant Heating
... And Much More



WEIL-McLAIN

www.weil-mclain.com

Packaging - Processing
Bid on Equipment
1-847-683-7720
www.bid-on-equipment.com

I=B=R Chimney Size

Model*	I=B=R Burner Cap. (GPH)	% DOE Seasonal Efficiency (AFUE)	DOE Heating Capacity (MBH Water)	Net I=B=R Water Rating (MBH)	Draft Loss Through Boiler (in. w/c)	Rectangular (in.)	Round (in.)	Height (ft.)	Approx. Shipping Weight (Lbs)
WGO-2	0.70	86.4	86	75	.010	8 x 8	6	15	540
WGO-3	0.95	85.3	115	100	.020	8 x 8	6	15	595
WGO-4	1.20	85.0	145	126	.010	8 x 8	6	15	645
WGO-5	1.45	85.0	175	152	.015	8 x 8	7	15	760
WGO-6	1.75	85.0	212	184	.015	8 x 8	7	15	860
WGO-7	2.00	85.0	242	210	.015	8 x 8	8	15	930
WGO-8	2.30	-	266	231	.025	8 x 12	8	20	1,030
WGO-9	2.55	-	295	257	.030	8 x 12	8	20	1,135

Notes:

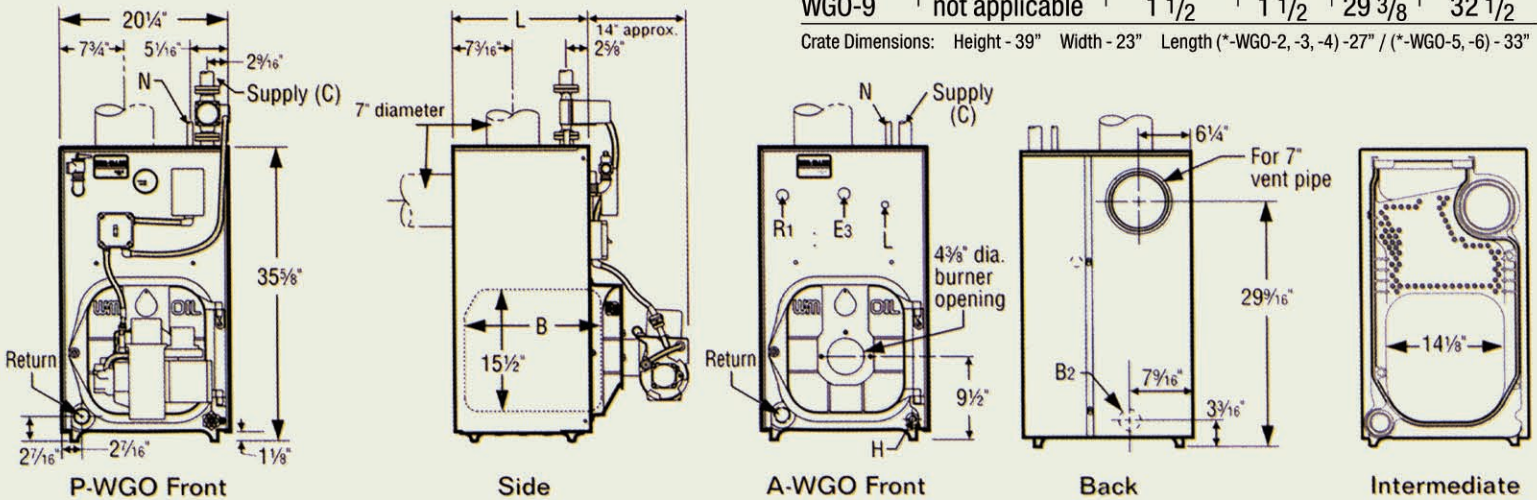
- * Add "P" for packaged boiler (WGO-2 through WGO-6 only). Add "A" for boiler only (WGO-2 through WGO-9).
- (1) No. 2 fuel oil—Commercial Standard Specification CS75-56. Heating value of oil—140,000 BTU/Gal.
- (2) Based on standard test procedures prescribed by the United States Department of Energy at combustion condition of 13 1/2% CO₂ and -0.02" W.C. draft.
- (3) MBH refers to thousands of BTU per hour.
- (4) I=B=R gross output.
- (5) Net I=B=R ratings are based on net installed radiation adequate for the requirements of the building, including a piping and pickup allowance of 1.15—sufficient for normal conditions. Provide additional allowance only for unusual piping and pickup loads. Consult a Weil-McLain representative.
- (6) Listed draft losses are for standard burner settings.

Dimensions

Tapping Location	Size (Inches)	Control
B ₂	1 1/2	Alternate return - "A" units only
E ₃	1/2	Pressure/temperature gauge
H	3/4	Drain valve
L	3/4	High limit/circulator control
N	1/2	Piping to expansion tank or automatic air vent
R ₁	3/4	Relief valve

Model	Supply "C" (inches)		Return (inches)	Dimensions (inches)	
	P-WGO	A-WGO		B	L
WGO-2	1 1/4 (circulator flange)	1 1/2	1 1/2	10 1/2	13 3/4
WGO-3	1 1/4 (circulator flange)	1 1/2	1 1/2	13 1/2	16 7/8
WGO-4	1 1/4 (circulator flange)	1 1/2	1 1/2	13 5/8	16 7/8
WGO-5	1 1/2 (circulator flange)	1 1/2	1 1/2	16 7/8	20
WGO-6	1 1/2 (circulator flange)	1 1/2	1 1/2	20	23 1/8
WGO-7	not applicable	1 1/2	1 1/2	23 1/8	26 1/4
WGO-8	not applicable	1 1/2	1 1/2	26 1/4	29 3/8
WGO-9	not applicable	1 1/2	1 1/2	29 3/8	32 1/2

Crate Dimensions: Height - 39" Width - 23" Length (*WGO-2, -3, -4) -27" / (*WGO-5, -6) - 33"



Standard and Optional Equipment

Standard Equipment:

- Limited Lifetime Warranty on Boiler Sections
- Factory Tested
- Factory-Assembled Cast Iron Sections With the Following Parts Installed. (jacket and collector hood are not assembled on 7-, 8- and 9- section blocks.)
- Insulated Steel Jacket
- Aluminized Steel Flue Collector Hood with Flue Cap on Top Outlet
- Swing-Away Burner Mounting Door
- Refractory Blanket and Target Wall in Combustion Area

- Circulator (Taco 007)-Supplied with "Packaged" Units Only
- Comb. Temp. Controls, LWCO & Circulator Relay
- Electrical Junction Box with Wiring Harnesses
- Junction Box Cover Plate with Service Switch
- Two Vent Pipe Brackets
- Pressure/Temperature Gauge
- 30 PSIG ASME Relief Valve (boiler sections tested for 50 PSIG working pressure)
- Drain Valve
- Balanced Draft Damper

Optional Equipment:

- High-Efficiency Flame-Retention Oil Burner (Beckett AFG, Carlin EZ or Riello). Specify 2-Stage Fuel Unit (optional) if Required.
- W-M 5 & 10 Year Homeowner Protection Plan
- W-M Indirect-Fired Water Heaters

Packaging - Processing
Bid on Equipment
 1-847-683-7720
www.bid-on-equipment.com



In the interest of continual improvements in product and performance, Weil-McLain reserves the right to change specifications without notice.