

**SGO - Gold Series Oil Boiler
Weil-McLain**

Steam with Tankless
Heater Option
Chimney Vent
MBH: 114-295
Avg. Efficiency: 83.8%



- ▶ **OUTSTANDING PERFORMANCE**
- ▶ **EASY TO INSTALL AND SERVICE**
- ▶ **MADE WITH WEIL-McLAIN QUALITY**

APPLICATIONS INCLUDE:

**Residential
Light Commercial
Multiple Boilers
Indirect-fired Water Heating
Radiant Heating
... And Much More**



WEIL-McLAIN

www.weil-mclain.com

Packaging - Processing

Bid on Equipment

1-847-683-7720

www.bid-on-equipment.com

Model	I=B=R Burner Cap. (GPH)	% DOE Seasonal Efficiency (AFUE)	DOE Heating Capacity (MBH)	Net I=B=R Steam Ratings (MBH)	Steam (Sq. Ft.)	Tankless Heater Intermittent Draw Rating (GPH)	Draft Loss Through Boiler (in. w/c)	I=B=R Chimney Size			Approx. Shipping Weight (Lbs)
								Rectangular (in)	Round (in)	Height (ft.)	
SGO-3	0.95	83.8	114	85	354	3.25	.020	8 x 8	6	15	600
SGO-4	1.20	84.0	144	108	450	3.75	.010	8 x 8	6	15	705
SGO-5	1.45	83.9	174	131	546	4.00	.015	8 x 8	7	15	820
SGO-6	1.75	83.7	210	158	658	4.25	.015	8 x 8	7	15	920
SGO-7	2.00	83.6	240	180	750	5.50	.015	8 x 8	8	15	990
SGO-8	2.30	x	266	200	833	5.75	.020	8 x 12	8	20	1090
SGO-9	2.55	x	295	221	921	6.00	.030	8 x 12	8	20	1195

Notes:

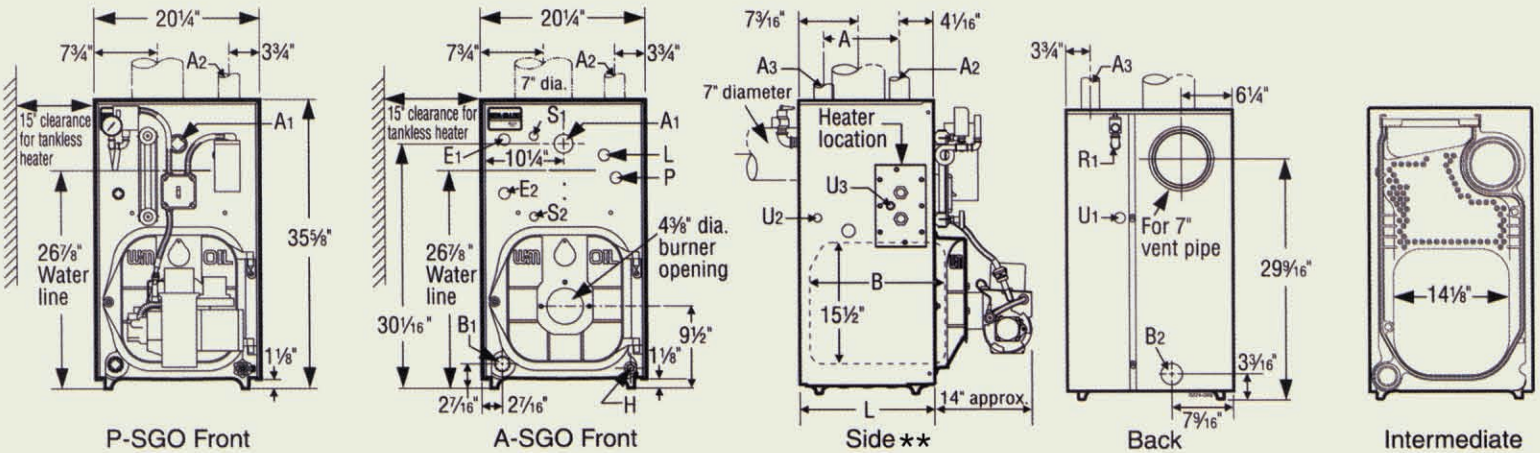
- * Add "P" for packaged boiler (SGO-3 through SGO-6 only—Packaged water boiler not available). Add "A" for boiler only.
- (1) No. 2 fuel oil—Commercial Standard Specification CS75-56. Heating value of oil—140,000 BTU/Gal.
- (2) Based on standard test procedures prescribed by the United States Department of Energy at combustion condition of 13.0% CO2 for SGO-3 and 13.5% CO2 for SGO-4 through 7.
- (3) MBH refers to thousands of BTU per hour.
- (4) Rating under "DOE Heating Capacity" for SGO-8 and -9 is I=B=R gross output. DOE ratings do not apply to boilers above 300 MBH.
- (5) Net I=B=R ratings are based on net installed radiation of sufficient quantity for the requirements of the building and nothing need be added for normal piping and pickup. Steam ratings are based on a piping and pickup allowance of 1.33; water ratings on an allowance of 1.15. An additional allowance should be made for unusual piping and pickup loads. Consult a Weil-McLain representative.
- (6) All boiler sizes use number 35-S-29 tankless heater. Tankless heater rating is in gallons of water per minute, heated from 40°F to 140°F with 200°F boiler water temperature—tested in accordance with I-W-H Testing and Rating Standard for Indirect Tankless Water Heaters Test with Boilers.
- (7) Listed draft losses are for standard burner settings.

Dimensions

Model	Supply (inches)		Return (inches)		Dimensions (inches)**			Tankless Heater #35-S-29	
	Steam	Water	Steam	Water	A	B	L	Inlet & Outlet (NPT) (in)	Temp Control (NPT) (in)
SGO-3	1-2 1/2	1-1 1/2	2	1 1/2	-	13 1/2	16 7/8	3/4	3/4
SGO-4	1-2 1/2	1-1 1/2	2	1 1/2	-	16 5/8	20	3/4	3/4
SGO-5	1-2 1/2	1-1 1/2	2	1 1/2	-	19 7/8	23 1/8	3/4	3/4
SGO-6	2-2 1/2	1-1 1/2	2	1 1/2	19	23	26 1/4	3/4	3/4
SGO-7	2-2 1/2	1-1 1/2	2	1 1/2	22 1/8	26 1/8	29 3/8	3/4	3/4
SGO-8	2-2 1/2	1-1 1/2	2	1 1/2	25 1/4	29 1/4	32 1/2	3/4	3/4
SGO-9	2-2 1/2	1-1 1/2	2	1 1/2	28 3/8	32 3/8	35 5/8	3/4	3/4

Crate Dimensions: Height - 39" Width - 23" Length (*SGO-3, -4) - 37" / (*SGO-5, -6) - 43"

Tapping Location	Size (Inches)	Steam	Water
A1	1 1/2	Skim tapping	Supply
A2	2 1/2	Supply	Piping to expansion tank or automatic air vent
A3	2 1/2	Supply (SGO-6 thru 9)	Plugged
B1	1 1/2	Plugged	Return
B2	2	Return	Plugged
E1	1/2	Pressure gauge & limit control (when probe LWCO is used)	Pressure/temperature gauge
E1 & H	1/2	Low water cutoff (float-type)	--
H	3/4	Drain valve	Drain valve
L	3/4	Pressure gauge & limit control (when probe LWCO is used)	High limit/circulator control
P	3/4	Low water cutoff (probe-type)	Plugged
R1	3/4	Relief valve	Relief valve
S1 & S2	1/2	Gauge glass	Plugged
U1	1	Take-off for indirect-fired water heater or separate zone	Plugged
U2	3/4	Tankless heater operating control (SGO-6 thru 9)	Plugged
U3*	3/4	Tankless heater operating control (SGO-3 thru 5)	Tankless heater operating control



Standard and Additional Equipment

Standard Equipment:

- Limited 10 Year Warranty on Boiler Sections
- Factory Tested
- Factory-Assembled Cast Iron Sections with the Following Parts Installed. (jacket and collector hood are not assembled on 7-, 8- and 9- section blocks.)
- Insulated Steel Jacket
- Aluminized Steel Flue Collector Hood with Flue Cap On Top Outlet
- Swing-Away Burner Mounting Door
- Refractory Blanket And Target Wall in Combustion Area
- Heater Opening Cover Plate

- Electrical Junction Box With Wiring Harnesses
- Junction Box Cover Plate With Service Switch
- Two Vent Pipe Brackets
- Drain Valve
- Balanced Draft Damper

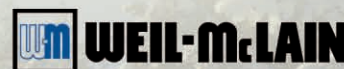
SGO Steam Boilers:

- High Limit Pressure Control
- Low Water Cutoff (Float or Probe Type -P Units Only
- 15 PSI ASME Relief Valve (boiler sections tested for 15 PSI working pressure)
- Steam Pressure Gauge
- Siphon
- Gauge Glass, Cocks And Guard

Additional Equipment:

- High-Efficiency Flame-Retention Oil Burner (Beckett AFG, Carlin EZ or Riello). Specify 2-Stage Fuel Unit (optional) If Required.
- Tankless Heaters And Controls
- Low Water Cutoffs (float or probe type)
- W-M 5 & 10 Year Homeowner Protection Plan
- W-M Indirect-Fired Water Heaters

Packaging - Processing
Bid on Equipment
 1-847-683-7720
www.bid-on-equipment.com



In the interest of continual improvements in product and performance, Weil-McLain reserves the right to change specifications without notice.