

**EGH - Commercial Gas Boiler  
Weil-McLain**



Gas  
Water or Steam  
With Tankless Heater Option  
MBH: 349-550  
Combustion Eff.: 80%

Net Load Range  
Hot Water  
243,000 to 383,000 BTU/Hr.  
Steam  
875 to 1,375 Sq. FT.

- ▶ **UNMATCHED COMFORT AND RELIABILITY**
- ▶ **EASY TO INSTALL AND SERVICE**
- ▶ **MADE WITH WEIL-McLAIN QUALITY**

**APPLICATIONS INCLUDE:**

Large Residential Homes  
Apartment Buildings  
Small Commercial Buildings  
Indirect-fired Water Heating  
*... And Much More*



**WEIL-McLAIN**

[www.weil-mclain.com](http://www.weil-mclain.com)

Packaging - Processing

**Bid on Equipment**

1-847-683-7720

[www.bid-on-equipment.com](http://www.bid-on-equipment.com)

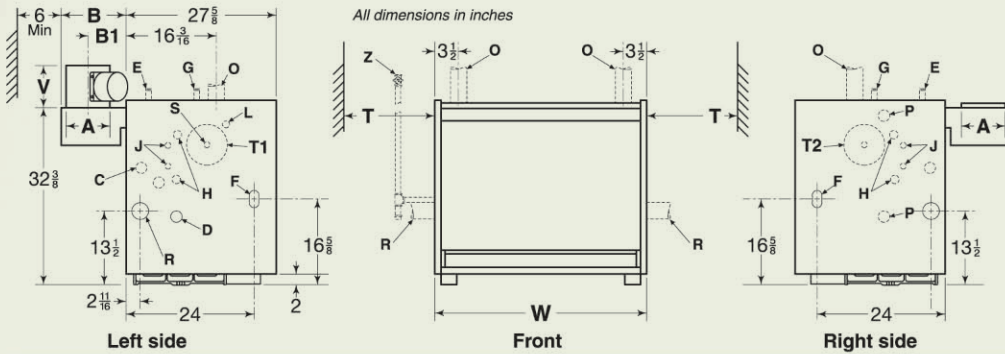


Model*	C.S.A. Input (MBH+)	Combustion Efficiency	C.S.A. Gross Output (MBH+)	Net I=B=R Ratings**			Net Sq. Ft. Water	I=B=R Chimney Size***	Approx. Shipping Weight (Lbs)
				Steam (MBH+)	Steam (Sq. Ft.)	Water (MBH+)			
EGH-85	349	80.0	280	210	875	243	1,620	9" I.D. x 20'	845
EGH-95	400	80.0	320	240	1,000	278	1,855	10" I.D. x 20'	880
EGH-105	450	80.0	360	270	1,125	313	2,085	10" I.D. x 20'	975
EGH-115	500	80.0	400	300	1,250	348	2,320	12" I.D. x 20'	1,065
EGH-125	550	80.0	440	330	1,375	383	2,550	12" I.D. x 20'	1,145

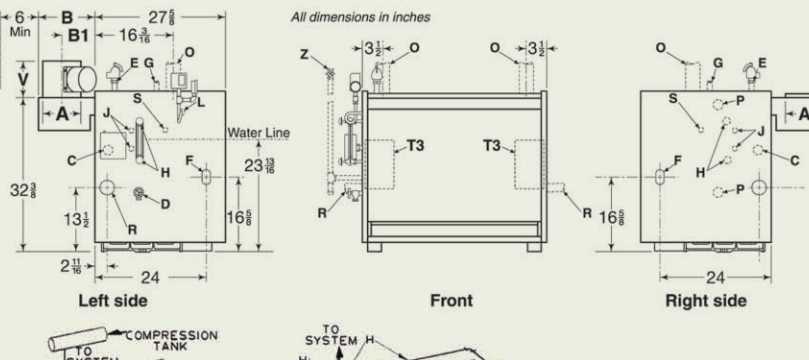
**Notes:**

- \* Add to boiler number "W" for Water "S" for Steam. Add "PI" to designator for intermittent electronic ignition system (standard for EGH-105 through 125). Add "PI w/damper" to designator for intermittent electronic ignition system with automatic vent damper. Add "T" to designator for boiler with tankless heater openings. (See additional equipment)
- + MBH refers to thousands of BTU per hour.
- \*\* Net I=B=R ratings are based on net installed radiation sufficient quantity for the requirements of the building and nothing need be added for normal piping and pick-up. Steam ratings are based on a piping and pick-up allowance of 1.333; water ratings on an allowance of 1.15. An additional allowance should be made for unusual piping and pick-up loads. Ratings shown are for elevations up to 2,000 feet. For elevations above 2,000 feet, ratings should be reduced at the rate of 4 percent for each 1,000 feet above sea level.
- \*\*\*Chimney size based on lined chimney.
- NOTE: Boiler is CSA design certified for installation on non-combustible flooring only. Water boilers tested for 50 PSI working pressure.

**Dimensions**

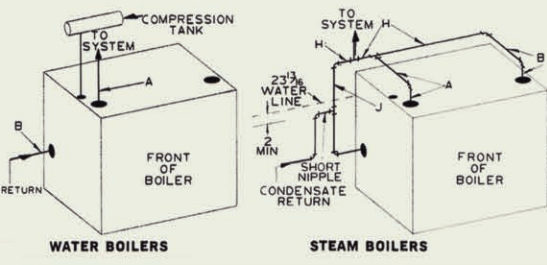


Model (Water)	Pipe Size	
	Supply	Return
EGH-85-95	2"	2"
EGH-105-125	2 1/2"	2 1/2"



Control Tappings			
Location	Size	Steam	Water
C	3/4"	Probe-Type-Low-Water Cutoff	Probe-Type LWCO (when used)
D	3/4"	Drain	Drain
E	3/4"	Safety Valve	Safety Relief Valve
G	3/4"	Plugged	Piping to Compression Tank or Auto. Air Vent
H	1/4"	Gauge Glass and/or Low-Water Cutoff	Combination Pressure-Temperature Gauge
J*	3/8"	Try Cock Tappings	-
L	1/4"	Plugged	Combination Pressure-Temperature Gauge
P	1"	Float-Type Low-Water Cutoff, Pressure Limit Control, and Pressure Gauge; or Low-Water Cutoff and Feeder Combination; or Low-Water Cutoff and Pump Control	Float-Type Low-Water Cutoff; Low-Water Cutoff and Feeder Combination; or Low-Water Cutoff and Pump Control
S (Steam)	1 1/2"	Skim Tapping	Limit Control
S (water)	3/4"	-	Limit Control

\* Available only on special request.



Model (Steam)	Riser Pipe Size			
	A	B	Header* H	Equalizer* J
EGH-85-95	2"	2"	3"	1 1/2"
EGH-105	2 1/2"	2 1/2"	3"	1 1/2"
EGH-115-125	2 1/2"	2 1/2"	4"	1 1/2"

\*24 minimum from waterline to header.

**Standard and Optional Equipment**

- Standard Equipment:**
- Factory-Assembled Section Block
  - Insulated Extended Jacket
  - Horizontal to Vertical Draft Hood
  - Stainless Steel Burners
  - Burner Shield
  - Combination Gas Valve for 24 Volt
  - Non-Linting Pilot Burner
  - Electrical Junction Box
  - 40 VA Transformer (with receptacle for plug-in relay)
  - Highest-Efficiency Model-PI W/Damper
  - Intermittent Electronic Ignition
  - High-Efficiency Model-PI Intermittent Electronic Ignition
  - Standard Efficiency Model (EGH-85 and 95 only) Constant Burning, Thermally Supervised Pilot System and Thermocouple

- Water Boilers Only:**
- Built-in-Air Separator
  - 30 PSI ASME Relief Valve
  - Combination Pressure-Temperature Gauge
  - High-Limit Control (dual limit control for standard-efficiency models)
- Steam Boilers Only:**
- 15 PSI ASME Relief Valve
  - Steam Pressure Gauge
  - High-Limit Pressure Control (two limit controls for standard efficiency models)
  - Syphon
  - Gauge Cocks and Glass
  - Low-Water Cutoff-Electrode Type

- Optional Equipment:**
- Automatic Vent Damper (for natural gas boilers with electronic ignition)
  - Low-Water Cutoffs
  - Electronic Controls-See Price Sheet
  - EGH Boiler with Openings for Tankless Heaters
  - Tankless Heaters (water and steam)

**Packaging - Processing**  
**Bid on Equipment**  
 1-847-683-7720  
[www.bid-on-equipment.com](http://www.bid-on-equipment.com)



In the interest of continual improvements in product and performance, Weil-McLain reserves the right to change specifications without notice.