



**Wolke® m600 advanced**  
Small Character Thermal Ink Jet Printer



## Advanced Capabilities from Superior Architecture

The m600 advanced is the ideal coding system for a range of industries which have to satisfy complex coding requirements.

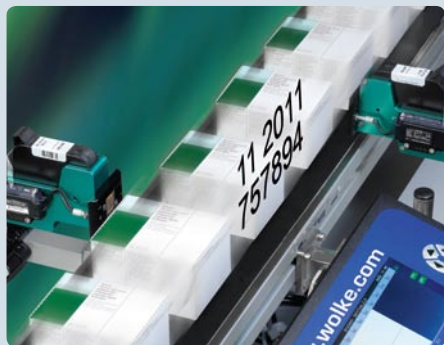
### Important features:

- Dedicated printer architecture to enable high speed coding of serialized data in real time
- Transmission of last printed data
- Range of bar codes including EAN DataMatrix (in conformance with GS1)
- Freely scaleable bar codes
- Automatic save of counter status in case of power failure
- Full remote control capability
- Range of communications interfaces including RS 232, USB-B, and TCP/IP
- IQ / OQ validation documents

The m600 advanced printer solves a range of coding challenges with an advanced printer architecture and an intuitive, menu-driven user interface. Thanks to the latest processor technology and flexible communications options, the m600 advanced can be integrated into highly automated, complex process control systems. Ethernet IP and TCP/IP interfaces enable full remote control via PLC and host. All system states can be monitored in real time. The m600 advanced can be integrated into higher-level systems in compliance with 21 CFR Part 11.

### Maximum production reliability and uptime is achieved through a range of features:

- Multiprocessor printer architecture
- HP technology with quick cartridge replacement
- Label transfer and loading while printing



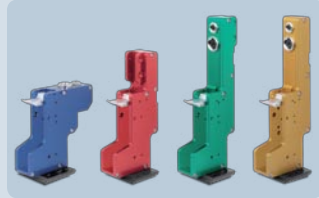
**Wolke® m600 advanced**  
 Small Character Thermal Ink Jet Printer



## Thermal Ink Jet Printing Technology

### Maximum Flexibility

The m600 advanced printheads are available in four models to facilitate easy integration into packaging lines and third party equipment, in either fixed or moveable installations.



- Printing from above or laterally
- Fixed or moveable installations (moveable up to an acceleration of 6g)
- Optional automatic stop feature on cartridge replacement
- Printhead configurations provide print heights from 12.7 mm to 50.8 mm



### Genuine HP Ink

Wolke Universal Black 7482 genuine HP ink cartridges deliver an optimal combination of long decap time and short drying time, making them ideal for varnish-free surfaces on folded chipboard boxes and other paper substrates.

- Short drying times
- Long decap times (0.5 – 2 hrs)
- High quality print even after long printing breaks
- All-purpose ink for a range of applications



## m600 Software

### m600 advanced Label Designer

With the m600 advanced Label Designer, complex print labels can be created and edited simply and quickly on the PC.

- Integrated font packages
- Simple transfer and backup of data and labels

The software provides a professional means to manage label files including drag and drop functionality and the integration of logos and images to facilitate design work. Users can print out labels on office printers to double check work prior to production runs.

### m600 advanced Ethernet Manager

With the help of the Ethernet Manager Software, users can manage and back-up print data and perform software updates. The Ethernet Manager provides password-protected user levels with different access rights. File management is aided through an integrated label preview and other functionality.

The convenient, integrated Remote Control and Monitoring Function allows users to control and check m600 advanced print systems via Ethernet from



a central location. In order to monitor the print system, a clearly arranged table displays the following:

- Name of the label opened and loaded
- Warning and/or error messages
- Ink level of the individual cartridges, including operating data
- Consumption per print and per cartridge
- The operating system version data
- Total and available memory space

## Select Product Specifications

### Line Speed / Resolution Capability

250 fpm (75 mpm) at 600x240 dpi  
Maximum resolution of 600x600 dpi

*Line speed dependent on selected cartridge resolution*

### Linear Bar Codes

EAN8, EAN13, UPC-A, CODE128, EAN128, 2/5i, Codabar, CODE39

### DataMatrix Codes

DataMatrix (20 matrix sizes available), EAN-DataMatrix, QR Code

### Keyboard

Membrane style with tactile feedback, including 81 numeric, alphabetic, and special function keys. PC-style layout to approximate international PC convention.

### Display

640x240 pixel backlit 8.9" LCD display  
WYSIWYG onscreen message editing

### Language Options

English, Czech, Danish, Dutch, Finnish, French, German, Hungarian, Italian, Norwegian, Polish, Portuguese, Slovenian, Spanish, Swedish, Turkish

### Data Interface

RS 232, USB-B, Ethernet

### Controller Dimensions

13.8" (350 mm) long  
9.8" (250 mm) wide  
5.6" (142 mm) high

*Dimensions exclude printhead, accessory cables and power supply connections*

### Printhead (Standard Blue) Dimensions

4.5" (115 mm) long  
4.3" (110 mm) high  
2.4" (60 mm) wide (at rub plate)

*Dimensions exclude cartridge and cable connections*

*Red, Green, and Gold printhead dimensions vary in length and height from Blue printhead*

### Environmental Protection

IP65 (controller)

### Temperature/Humidity Range

41°F to 113°F (5°C to 45°C)

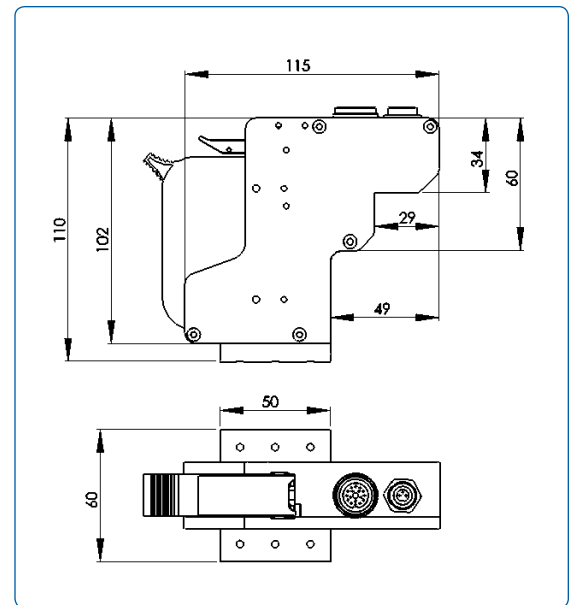
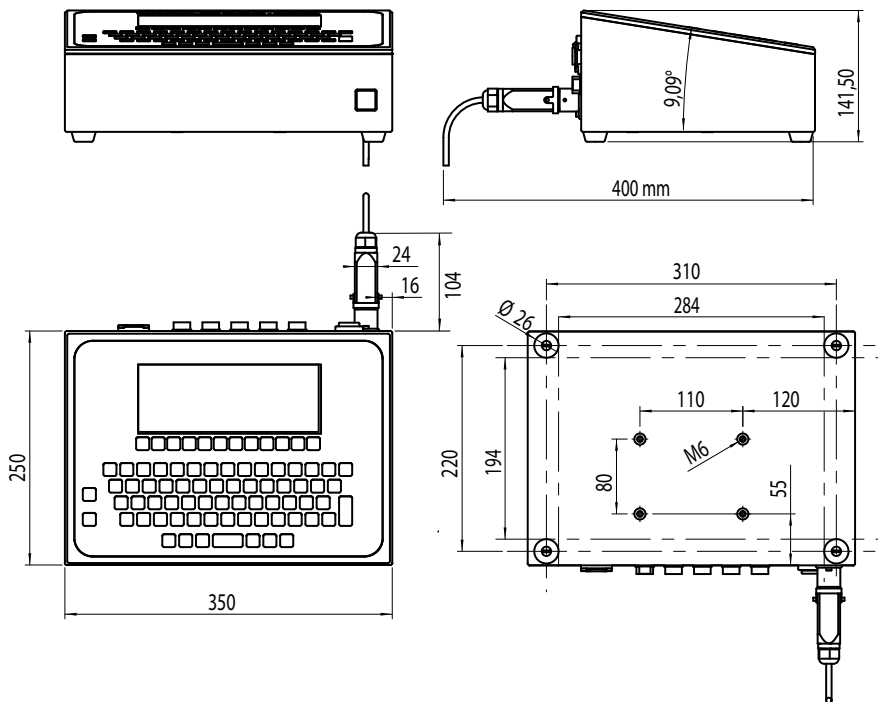
Non-condensing humidity

### Electrical Requirements

Nominal supply power 115 or 230/240 VAC at 50/60 Hz

### Approximate Weight (Controller)

17.0 lbs (7.7 kgs)



Standard Blue Printhead

[www.wolke.com](http://www.wolke.com)

### Germany:

Wolke Inks & Printers GmbH  
Ostbahnstraße 116  
91217 Hersbruck • Germany  
Tel. +49 (0)9151-8161-0  
info@wolke.com

### USA:

Videojet Technologies Inc.  
1500 Mittel Blvd.  
Wood Dale IL 60191-1073 • USA  
Tel. 630-860-7300  
info@videojet.com

**wolke**  
Inks & Printers



Part No. SL000487  
m600 advanced-1209  
Printed in U.S.A.