

Exceptional throughput on even the most complex jobs

Fast drying inks to print on a broad range of materials

Quick start up in minutes with Videojet's Crescendo System Controller

Videojet® BX Series

Binary Array Ink Jet Printers





Versatile, dependable high-speed digital printing for increased productivity

Throughput is the name of the game. The more jobs you can print and the faster you get them done, the more money you can make. Videojet BX6500/6600 Series printers are designed to let you print an unlimited variety of jobs, quickly and reliably. The BX Series printers offer 2-inch (51 mm) print bands, and the dual-head configuration operates off a single print engine to provide the ability to print four continuous inches (102 mm). Or, separate the heads to print on different areas of the target piece, i.e., an address and indicia.

Versatility

128 x 256 dpi resolution delivers solid print quality for addresses, maps, graphics, promotional messages and a wide range of other applications.

- Basic addressing of mail or more complex printing of variable graphics, logos and 2D barcodes
- Delivers unparalleled value and flexibility for printing on difficult substrates such as glossy stock and UV coatings

Get up and running quickly and keep performing

- A computer initiated start-up sequence minimizes manual operator procedures and gets into print mode in a matter of minutes
- Print shut down is just as simple, with a few quick mouse clicks doing nearly all the work
- To ensure maximum print performance, the BX6500/6600 Series printers utilize an automatic phasing process that optimizes print quality and uptime without any operator intervention

Videojet BX Series

Binary Array Ink Jet Printers

Prints on your choice of substrates

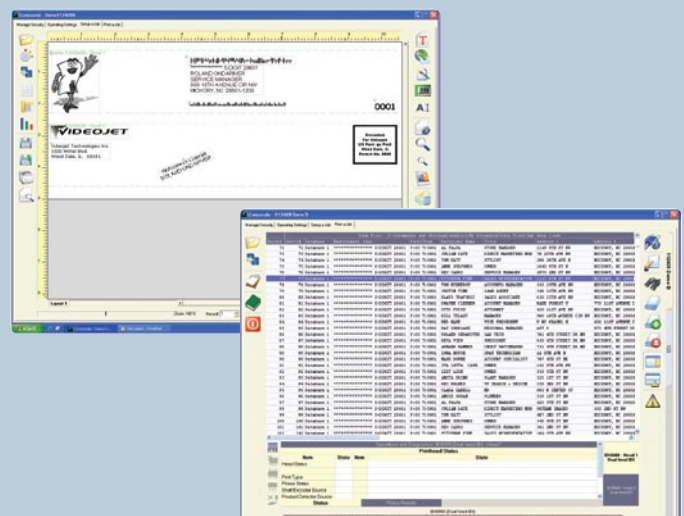
A wide variety of fast drying inks are available, ranging from acetone to MEK, to expand print capabilities to include jobs printed on aqueous or UV coated or other difficult to print high gloss stocks. Videojet fluids are designed for optimum performance, providing reduced operating costs, increased uptime and maximum print quality.

- Unassisted dry time of one second eliminates dryers and their associated high energy costs
- Red, green and blue inks enable the addition of color to print jobs
- Specialty inks allow for printing on plastic cards and unmatched bar code readability

A simple to use powerful user interface

Videojet's Crescendo Controller is a simple to navigate operator interface that comes standard with pass code sign-in levels to ensure appropriate access.

- Dual job capability to place each head on a separate line – both controlled by one Crescendo controller – or complete a single job in half the time
- PDF proofing for easy customer review and approval
- Postal barcodes including Intelligent Mail® Barcode (IMB) and Postnet



High-speed digital printing

Clocking in at 967 feet per minute (that translates to over 50,000 mail pieces per hour with in-line automatic mail sorting), the BX6500/6600 Series printers are ready to take on your fastest jobs. Whatever your imaging requirements – addressing, variable graphics, barcodes – the BX6500/6600 Series delivers superior image quality for your high speed application.

High reliability plus durability equals high productivity

The BX6500/6600 Series printheads are built to last and not be “consumable” items. Designed to last the life of the system, BX printheads have no hour meter and do not require replacing or refurbishing.

- BX6500/6600 series printers are designed to withstand the most rugged applications
- Corrosion- and solvent-resistant stainless steel IP 54-rated cabinet and printhead nozzles



Flexible configurations and universal compatibility

The BX6500/6600 Series printers can be used as stand alone printers or as part of an in-line printing application. They can be integrated with a variety of production equipment such as web presses, bindery or packaging lines.



- Compact printhead design, 20 foot (6 m) umbilical and the ability to print in any angle (360° rotation)
- Print on just about any substrate in just about every in-line application imaginable
- Portable enough to roll from job to job as necessary
- Capable of being driven by 3rd party controllers

Enhance your existing BX

The availability of the BX6500/6600 models presents the opportunity to upgrade existing BX6300/6400 units.

- Upgrade requires replacing an existing BX controller with the Crescendo controller and switching out certain printer engine circuit boards
- The result is an enhanced BX printing system that allows you to not only save time through additional controller features, but also the ability to take on more complex and demanding jobs



Print Specifications

Resolution

128 x 256 dpi (in the direction of travel)
128 x 128 @967 fpm (295 mpm)

Print Speed

967 fpm (295 mpm)

Print Height

2 inches (51 mm) per printhead, up to two
printheads per cabinet

Graphics

Downloaded multiple formats including: jpg,
bmp, pcx, etc.

Fonts

Windows® TrueType® fonts

Barcodes

Linear: Code39, Code128, EAN128, ITF, EAN8,
UPCa, UPCe, Codabar, GS1-128, Intelligent
Mail® Barcode, Royal Mail, KIX, Australia Post,
POSTNET™, Planet Code

2D: PDF417, DataMatrix, German Premium
Address, GS1 DataMatrix

Rotation

Barcodes: 90 degree intervals
Text and graphics: any angle

Print Band Orientation

Normal, Invert, Reverse, Invert and Reverse

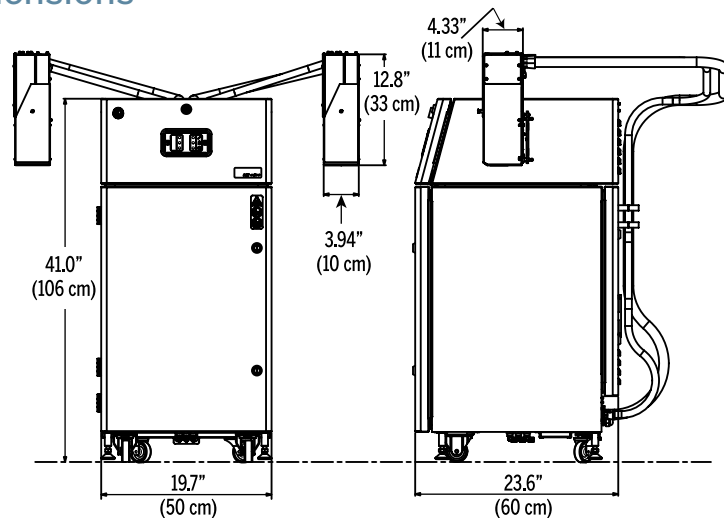
Throw Distance

1/16 inch - 1/4 inch

Applicable Substrates

Non-coated and coated (including Aqueous
and UV coated) and plastic

Dimensions



Controller and Software

Processor

Intel Pentium 4 Series

Memory

2GB

Operating System

Windows® XP

Hard Drive

80 Gb

Network

2 of 1GBE, standard Videojet IO box

Software

Integrated suite for configuration,
maintenance, layout, and printing data

Languages

Dutch, English, French, German, Italian, and
Spanish

Diagnostic Software

Inspector™ – provides monitoring of a variety
of operational parameters and manual
override capabilities (optional)

Data Formats

Fixed Field, Fixed Record, Delimited,
Multiline, CSV, TEX, TX2, MDB, DBF, JS2

Optional Accessories

Stand alone mount

Stand alone cleaning station

Product detector

Shaft encoder

Fluids

Capacity

5.3 liter permanent reservoirs for ink and make-up

Ink Types/Colors

Black and Red: MEK, Acetone, Ethanol or Acetone/
Ethanol Blend

Blue and Green: Acetone only

Fluid System

One per head, enabling multiple colors on a
multi-head printer configuration

Special Purpose Inks

Black MEK versions for optimized bar code
readability and additional plastic card adhesion

Electrical and Environmental

Power Requirements

220 - 240 VAC 50/60 Hz or 120 VAC; 50/60 Hz,
Single Phase

Current Draw

8 amps

Operating Temperature

40° F (4°C) to 100° F (38°C)

Humidity Range

10% - 80% RH non-condensing

Cabinet Rating

IP5X

Ventilation

Recommended at the printhead

Mechanical

Cabinet Dimensions

41 inches (105 cm) H x 19.7 inches (50 cm) W x 23.6
inches D (60.0 cm)

Printhead Dimensions

12.8 inches (33 cm) H x 3.94 inches (10 cm) W x 4.33
inches D (11 cm)

Cabinet Material

304 Stainless steel

Printhead Material

305 Stainless steel

Positive Air

40/80 psi (15/30 liters) min. consumption

Umbilical

19.7 feet (6 m) in length

CERTIFIED
ISO 9001
DOCUMENTED QUALITY

