

# Videojet® Allprint LN100A

Nd:YAG Laser Marking System

## Laser.

Ink Jet.

Thermal Transfer.

Labelers.

Track & Trace.

Supplies.

Parts & Service.

The ALLPRINT LN100A meets the most stringent requirements whether throughput, flexibility, user-friendliness, reliability or economy is critical. When maximum power is required at an economic price, the LN100A is the ideal system. This 100-Watt YAG laser is well-suited for a variety of applications, including coated aluminum, PVC, rubber and metal surfaces.

## High speed marking

- Up to 1,300 characters/second and up to 3,000 feet/minute
- Efficient production of marking jobs with text, machine-readable codes, graphics or other variable data

## Superior laser beam quality

- Allows for high quality marking on a wide range of applications
- High resolution marking for engraving, color change, material removal or black marking



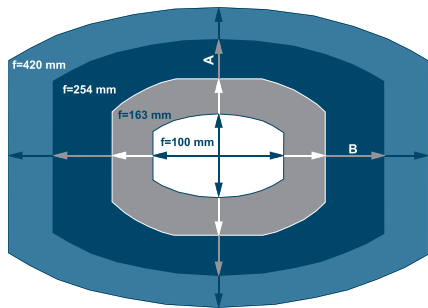
## Enhanced flexibility and modularity

- Solid-state system is designed for both stand-alone systems and easy integration into existing lines
- Can be completely controlled by a computer and is also well-suited for use in fully-automated production environments



**Marking Fields** (see graphic for marking field sizes)

Lens focal length	f=100mm	f=163mm	f=254mm	f=420mm
max. A/mm	75.8	142.2	215.5	361.5
max. B/mm	118.7	193.5	301.5	498.5



**Marking Features**

**Marking Speed**

- Up to 1,300 characters/sec. (application dependent)

**Line Speed**

- Up to 50 feet/sec. (15 m/sec.) (application dependent)

**Marking Field (see graphic)**

- Lens options

**Marking Formats**

- Standard fonts (Windows® TrueType®/TTF; PostScript®/ PFA, PFB; Open Type®/ OTF)
- Individual and dot-matrix fonts, such as high-speed or OCR
- Machine-readable codes: ID-Matrix (ECC100, 140, 200: 10x10 to 144x144 for square formats, 8x18 to 16x48 for non-square formats; ECC plain [free config. ECC code] QR-Code); barcodes (BC25/25i/39/39E/93/128; EAN13/128; UPC\_A; RSS14 TR/ST/STC; RSS LIM/EXP)
- Graphics and graphic components, logos, symbols, etc. (DXF, JPG, AI, etc.)
- Linear, circular, angular text marking; rotation, reflection, expansion, compression of marking contents
- Sequential and batch numbering
- Automatic date, layer and time coding, real-time clock
- On-line coding of individual data (weight, contents, etc.)

**Laser**

**Laser Source**

- Lamp-pumped Nd:YAG laser, power class 100 W, cw or pulsed (3,000-65,000 Hz) 1.064 µm

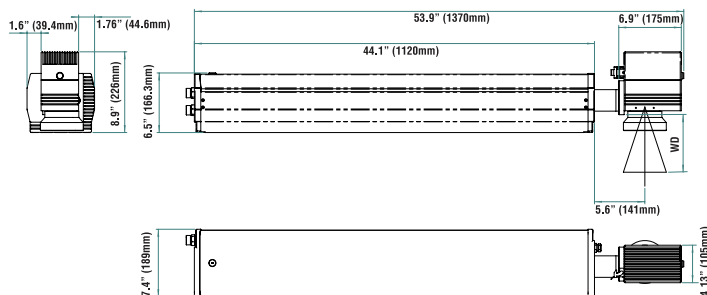
**Laser beam deflection**

- Digital high-speed galvanometer scanner

**Focusing**

- Precision optics: available focal lengths f=100/163/254/420 mm

**Dimensions**



**Operations**

- Several options: PC, handheld control unit or software interface
- Real time operation concept
- Storage: RAM 128MB, Multi Media Card minimum 512MB

**Handheld (optional)**

- Graphic remote control via Ethernet for flexible operation
- Preparation of marking jobs, marking data entry
- System configuration
- Status and alarm display
- Excellent legibility of graphic display; fast, intuitive operation

**Software**

**Smart Graph (optional)**

- Graphical user interface under Windows® XP/Vista for intuitive and quick generation of complete marking jobs on PCs
- System configuration
- Text/data/graphics/parameter editor
- Configurable in English, German, other languages optional
- Easy access to standard CAD and graphics programs by convenient import functions
- WYSIWYG
- Various password-protected security levels

**Smart Graph Com**

- ActiveX software interface for integration into operation software

**Communication**

- Ethernet (TCP/IP, 100 Mbit LAN), RS232
- Inputs for encoders, bar code readers and product detectors
- 8 bit digital input for digital job selection, start/stop signals, machine/operator interlocks, alarm outputs
- Customer-specific solutions

**Integration**

- Direct integration into complex production lines via the laser's scripting interface
- Integration via Ethernet and RS232 interface
- Easy integration via flexible umbilical, optional 6/10/15 m (19.7/32.8/49.2 feet)

**Utilities**

**Electricity/Cooling**

- 3/N/PE 400V 50/60 Hz, <7kVA (incl. cooling)
- Internal water/water heat exchanger
- Connection for external water/air heat exchanger optional

**Environment**

- Temperature range 40-105° F (5-40° C)
- Humidity 10%-90%, non-condensing

**Sealing and Safety Standards**

- Supply Unit: IP22; Marking Head: IP44; Laser Head: IP42; LASER CLASS 4

**Weight**

- Supply unit: 271 lbs (123 kg)
- Marking unit: 63 lbs (29 kg)



800-843-3610

[www.videojet.com](http://www.videojet.com) / [info@videojet.com](mailto:info@videojet.com)

Videojet Technologies Inc. / 1500 Mittel Blvd.  
Wood Dale IL 60191-1073 / USA

Phone 630-860-7300 Fax 800-582-1343

