



Videojet® 37pc

Postal Bar Code Ink Jet Printer

Reliable, High-Speed Bar Codes

The Videojet® 37pc postal bar code ink jet printer delivers consistent, high resolution postal bar codes in an easy to use, compact system. No matter what your postal coding requirements are, the Videojet 37pc system provides versatile bar coding capabilities, outstanding quality, and high speed performance.

Designed for Postal Bar Coding

The Videojet 37pc ink jet printer is designed specifically to print postal bar codes, and delivers superior performance for mail piece identification. Accudrop® character generation provides significantly improved print quality at speeds up to 900 feet/min. (274 m/min.). This flexible system provides both POSTNET™ and "ID TAG" bar code capability from one printer. The 37pc system can apply POSTNET, Bar/No Bar (4mm), plus alphanumeric messages at speeds up to 1,479 characters/second or 4,327 bars/second. **High quality at high speeds**

Integrates with Nearly Every Postal Bar Code System

Videojet systems are designed to interface with virtually every postal coding and sorting operation. The parallel interface provides flexibility for the Videojet 37pc printer to be connected to a host controller. Right angle fittings on the printhead or cabinet make it easy to integrate into virtually any postal coding and sorting operation. **Adapts to any application**

Easy to Use and Maintain

The standard configuration for the Videojet 37pc system includes the display and operator interface—the purchase of extra modules is not required. The context-sensitive, on-line help guides your operators through set-up and production tasks. The user interface software is easy to use, with "guiding lights" to make programming easy and to minimize errors. As an extra security feature, the keyboard can be locked, so that changes cannot be made without proper authorization. With only one control board in the unit, the Videojet 37pc printer is easy to troubleshoot, and provides easy access to internal components. **Designed for safety and reliability**

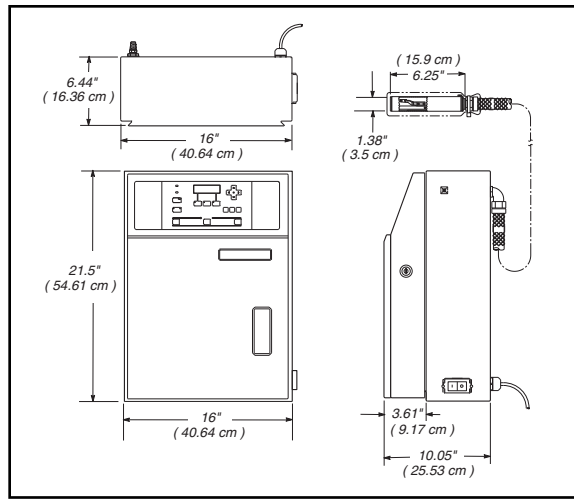
Designed to Save Space and Money

The small footprint of the 37pc unit allows it to fit into virtually any location within your system. The 37pc unit also provides decreased make-up consumption, along with reduced air and electrical power requirements, which decrease your expenses. The 37pc printer is designed for maximum uptime, with a stainless steel, corrosion-resistant control console and flexible, vinyl-coated armored conduit, and high-performance, stainless steel printheads that adapt to any conveyor or mail sortation system. **Maximum uptime, reduced expenses**



Tested and Proven Worldwide

Videojet has been meeting the automation needs of postal authorities for over 20 years. Thousands of Videojet bar coding printers are working smoothly in postal facilities worldwide, interfacing with every type of mail coding and sortation system. That makes the Videojet® brand the standard against which all others are measured. **Consistent, repeatable**



Specify the Videojet 37pc Postal Bar Code Ink Jet Printer

Backed by TotalSource® Technical Support

The **TotalSource** system is the finest and most complete technical support program in the business. It includes everything from expert applications assistance, operator training and a full spectrum of maintenance services. The **TotalSource** program ensures total customer satisfaction. **Support when you need it**



Keyboard

15-key keyboard with context sensitive help key

Display

20 character, 4-line, LCD display

Console

Free standing or wall mountable stainless steel cabinet.
Dimensions: 21.5 inches (54.61 cm) high, 16 inches (40.64 cm) wide, 10.05 inches (25.53 cm) deep

Printhead

Compact, stainless steel 1.38" (3.5 cm) diameter printhead

Printhead Cable

Vinyl-covered armored conduit
Optional 90-degree printhead available
Length: 10 feet (3.04 m)

Ink/Fluids

Range of inks, make-up and cleaner fluids specially formulated for Postal applications

Data Interface

Proprietary 8-bit parallel (TTL level) interface with handshaking

Accessories

Floor, wall-mount or table printer stands, printhead stand. Optional: alert light. Wide range of product detectors. Industrial compressor. Air dryer. Power conditioners. External 5-gallon (18.9l) make-up kit.

Temperature Range

40°F to 110°F (5°C to 43°C)

Humidity Range

10%-90% RH Non-Condensing

Air Requirements

70 PSI minimum to 100 PSI maximum, 0.7 SCFM (1189l/hr.) at 70 PSI (4.80 bar), maximum

Electrical Requirements

100 to 240 VAC, 50/60 Hz. Power consumption: 30 watts

Shipping Weight

75 lbs. (33.75kg)

Specifications

Print Matrices

POSTNET™ bar code
Bar/No Bar (ID Tag) code
5x5 Accudrop® single line alphanumeric text (improved readability over all previous postal coders)

Print Rate

POSTNET – 4327 Bars/sec. Max.
Bar/No Bar – 4020 Bars/sec. Max.
Text – 1479 Characters/sec. Max



© 2008 Videojet Technologies Inc. – All rights reserved. Videojet Technologies Inc.'s policy is one of continued product improvement. We reserve the right to alter design and/or specifications without notice. Videojet, TotalSource and Accudrop are registered trademarks of Videojet Technologies Inc. POSTNET is a trademark of the United States Postal Service®, used with permission.

Get confident. Contact us today:
800-843-3610 • www.videojet.com • info@videojet.com

Videojet Technologies Inc. • 1500 Mittel Boulevard
Wood Dale IL • 60191-1073 • USA
Phone: 630-860-7300 • Fax: 630-616-3623

Packaging - Processing
Bid on Equipment
1-847-854-8577
www.bid-on-equipment.com