

High Resolution Large Character Printing

- **Consistently high print quality - micropurging with every print**
- **Reduced cost of ownership - unique ink-recycling circuit**
- **Easy integration - small, single-unit system with a range of printhead heights**



PRODUCT CODE: 46744	THE PASTA CO UNIT 22 INDUSTRIAL ESTATE EAST GREAT BRITAIN	50 X 75G MINIMUM	BEST BEFORE 19.06.2008
PASTA SAUCE			
INGREDIENT DECLARATION WATER, DOUBLE CREAM (4%), ONION, MODIFIED WAXY MAIZE STARCH, CARROT, REEF STOCK, SPINACH, CONTAINS COLOUR, E100, WHITE WINE GELATIN, MUSTARD, SALT, VEGETABLE OIL, WHITE WINE VINEGAR, LEEK, WORCESTERSHIRE SAUCE, MUSHROOM STOCK, GARLIC, FRESH MUSHROOMS, STABILISERS (E141 & E142), COLOUR (E150), BAY LEAF, THYME. <small>THIS PRODUCT MAY CONTAIN TRACES OF NUTS/SEEDS</small>		STORAGE: KEEP FROZEN AT -18 C OR COLDER	COUNTRY OF ORIGIN PRODUCED IN THE UK
		EED LICENCE NUMBER SD221RD	SUPPLIER'S INFORMATION 9CZ776TER



High Resolution Large Character Printing

The Marsh 1100/2100/3100 printers

The Marsh 1100, 2100 and 3100 printers combine high resolution printing with a simple user interface, making message selection quick, easy and error-free. The Marsh 1100, 2100 and 3100 systems are designed and manufactured to reliably print accurate, high quality, real time alphanumeric codes, bar codes and graphics with a range of printhead heights to best suit your printing needs.

Consistently high print quality — micropurging with every print

The 180 dpi resolution of the Marsh 1100, 2100 and 3100 printers allow for complete generic carton coding at pre-printed quality levels. With their unique, self-maintaining printhead system, these printers guarantee the highest quality bar codes and printed images on every case, even in the dustiest environments.

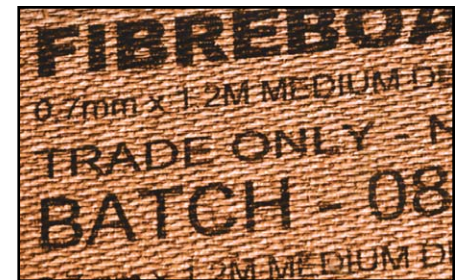
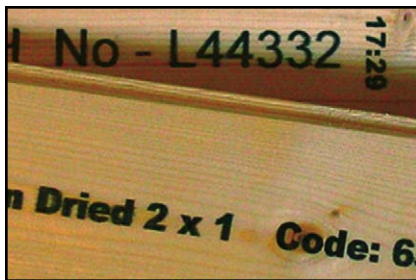


The 1100, 2100 and 3100 printers can accomplish this because they are the only high resolution ink jet printers that automatically clean and maintain the printhead with a unique, patented micropurging process with every print — without affecting production speed or throughput. Unique technology builds confidence in print quality.

Reduced cost of ownership — unique ink-recycling circuit

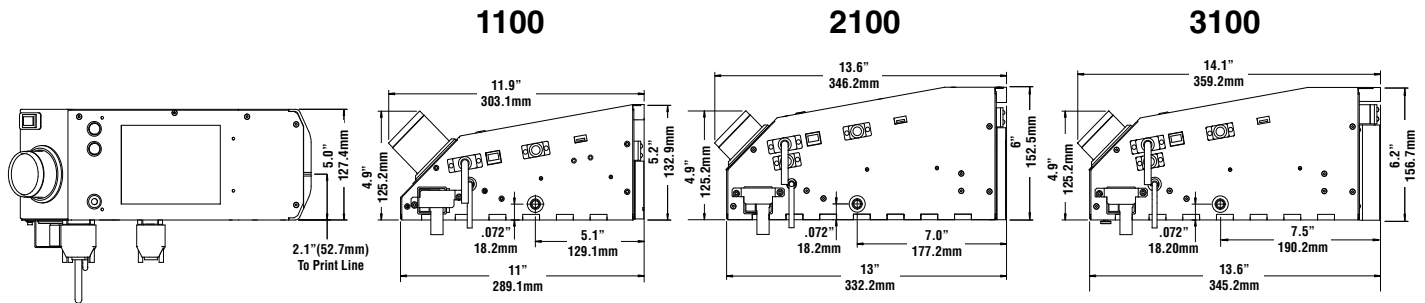
You buy ink jet printing equipment to put ink on your packaging – not on your production line or on the floor. Thanks to a unique ink-recycling system, the Marsh 1100, 2100 and 3100 are the only printers where ink used for automatic printhead maintenance is recycled and used for printing after careful filtration. Every drop of ink you paid for goes where you want it – on your packaging. The ink system is air-driven, eliminating potential downtime from maintenance on pumps, solenoids and other moving parts. Efficient use of ink and a mechanically simple system ensure your Marsh 1100, 2100 or 3100 printer will always be ready to print the next code without needing human intervention and the associated costs of downtime.

The carton tracking interlock system eliminates the risk of dual marking or uncoded product, and prevents the wasted ink and mess caused by accidental triggering of product photocells. The advanced date checking algorithms found in these printers reduce costly operator date coding errors.



Easy integration — small, single unit system

Each of the Marsh 1100, 2100 and 3100 systems consist of a single, compact unit that takes up minimal space on your production line. That single unit contains an intuitive touch screen control system that makes it easy for operators to select the right job without the opportunity for errors created by on line message creation. To enhance flexibility, clusters of printers can be operated from a single master unit. Individual printers or clusters can be controlled remotely from factory IT systems, PLC input or other remote computers through built-in network (TCP/IP and RS-232) capability. Powerful off-board image design provides complete flexibility in message editing and programming, including the full list of TrueType® fonts.



Specifications

Technical Specifications

Printhead

- 1100:** 17 mm (0.7") high 180 dpi
- 2100:** 53 mm (2.1") high 180 dpi
- 3100:** 72 mm (2.8") high 180 dpi

Print Area (per printhead)

- 1100:** 17 mm (H) x 2000 mm (L) (0.7" x 78")
- 2100:** 53 mm (H) x 2000 mm (L) (2.1" x 78")
- 3100:** 72mm (H) x 2000 mm (L) (2.8" x 78")

Number of Printheads

- Up to (4) heads in master/slave mode

Self-Cleaning, Self-Prime System

- Standard (patented)

Ink Reclaim System

- Standard (automatic)

Print Distance

- 0.5 mm to 4.0 mm max. (0.02 - 0.15")

Print Speed (resolution, substrate, application and set-up dependent)

- Barcode printing – 0.3 - 31 m/min. (1.0 to 101 feet/min.)
- Alphanumeric text – up to 132 m/min. (433 feet/min.)

Ink

- Non-toxic, suitable for food packaging

Ink Supply / Delivery

- Non pressurized, screw-in canister

Controller / User Interface / Ink cabinet

- Integral to printer

Inputs / Outputs

Integral Print Sensor

- Standard

External Inputs

- Print go input (24V PNP or volt-free)
- Encoder input (24V single / quadrature)
- Line select (up to 16 lines)

External Outputs

- Fault output (volt-free)
- Warning output (24V PNP)
- Spare (24V PNP)

Operator Interface (CLARiTY)

- 5.7" full color LCD

Services

Air Supply Requirements

- 6 Bar, 90psi, dry, un-contaminated

Power Supply Requirements

- 90-264VAC, 47-63 Hz, 140VA (max)

Operating Temperature

- 10° - 35° C (50° - 95° F)

Approvals

- CE/UL60950:2000 (3rd edition)
- Further information available upon request

System

Operator Interface

- Full-color LCD touch-panel CLARiTY interface
- Job selection and database support as standard. WYSIWYG print preview

Operator Interface Languages

- Language selection including English, Arabic, Chinese (Mandarin) Danish, Dutch, Finnish, French, Hungarian, Italian, Japanese, German, Greek, Polish, Portuguese, Russian, Spanish, Swedish and Turkish

Password Protection

- 3 user-levels

Remote Coder Configuration Software

- CLARiTY Configuration Manager
- 'Off-Line' set up and parameter storage available as standard

Diagnostics

- On-board diagnostics as standard

On-Board Memory

- 128MB memory, CompactFlash®

Print Capability

Image Design Software

- Claricom CLARiSOFT Package Coding Design Software

Font Support

- Full downloadable font support for TrueType®

Text

- Scalable text including rotation, mirror and inverse printing

Code Options

- Start of day, shift codes, factory, machine, line ID

Supported Field Types

- Fixed, variable (user entered), merged, database, counters, date, offsets, time, paragraph (Text Blocks)
- Basic shape drawing (circles, rectangles etc.)

Special Functions

- Auto real time and date functions
- Auto best before date calculation and concession management
- Auto incrementing & decrementing text, counters and bar codes

Bar Code Printing

- EAN 8, EAN 13, UPC-A, UPC-E, Code 39, EAN 128, Code 128, ITF, Datamatrix, RSS14, PDF417. Others available upon request.

Graphics, Images and Logos

- Multiple graphic formats supported using CLARiSOFT. Any size up to maximum print area.

Day Code Support

- Hour, day of week, day of month, week of year, month of year, year of decade and Arabic date support

Field Orientation

- 0°, 90°, 180°, 270°

Networking and External Communications

External Data Communications

- RS232 point-to-point communications
- Ethernet 10/100 Base TX network communications
- Binary and ASCII comms protocols and Windows drivers
- Host PC mode (Remote Database) using CLARiNET
- USB connectivity for job download and software updates

Master/Slave Functionality

- Group job selection function and group printer control function

Network Control Software

- Claricom CLARiNET coder independent network management software