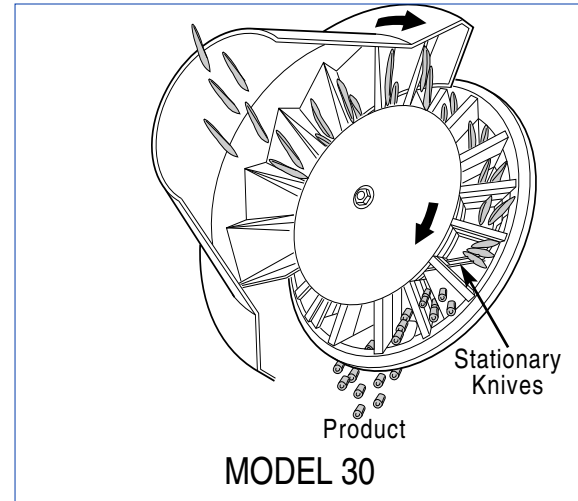
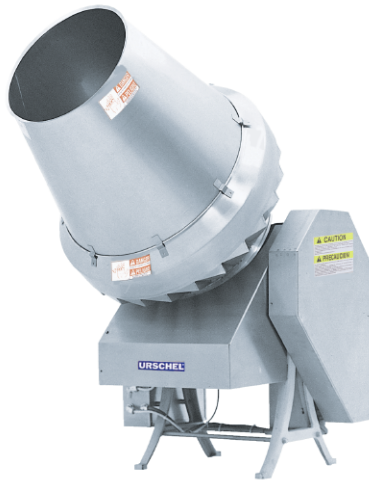


Urschel® Model 30

Crosscut Slicer for Elongated Products

Packaging - Processing
Bid on Equipment
1-847-683-7720
www.bid-on-equipment.com



SPECIFICATIONS

Length: 58.10" (1476 mm)
Width: 40.02" (1016 mm)
Height: 63.95" (1624 mm)
Net Weight: 560 lb (254 kg)
Motor: 3/4 HP (.56 kW)

APPLICATIONS

The Urschel® Model 30 crosscut slicer cuts across the length of elongated products while minimizing short end pieces. This slicer cuts elongated products such as green or wax beans, asparagus, okra, celery, carrots, and rhubarb.

Maximum infeed product entering either machine should not exceed 8" (203 mm) in length. Different style feed hoppers are available for use with different products. The machine features continuous operation for uninterrupted production, and simplified design for easy cleanup and maintenance.

OPERATING PRINCIPLE

Product is delivered to a feed hopper, then enters a rotating feed hopper and drops endwise into long, narrow cutting pockets. These cutting pockets then pass through a series of stationary knives. The cut product is dropped onto a shaker screen which removes small pieces.

TYPES OF CUTS

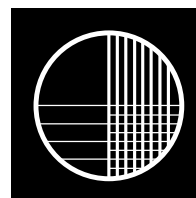
Length Cuts: 1/2" (12.7 mm), .800" (20.3 mm), 1" (25.4 mm), 1-1/4" (31.8 mm), 1-1/2" (38.1 mm), 2" (50.8 mm)

Your Product Can Be Test Cut

Urschel Laboratories has a complete network of test facilities and experienced service and sales representatives around the world ready to work for you on any size reduction application. Contact your local Urschel Laboratories' representative to schedule a comprehensive, no-obligation test today at www.urschel.com.

©Urschel is a registered trademark of Urschel Laboratories, Inc.

L2094 DEC 2006 (s.s. 1381)

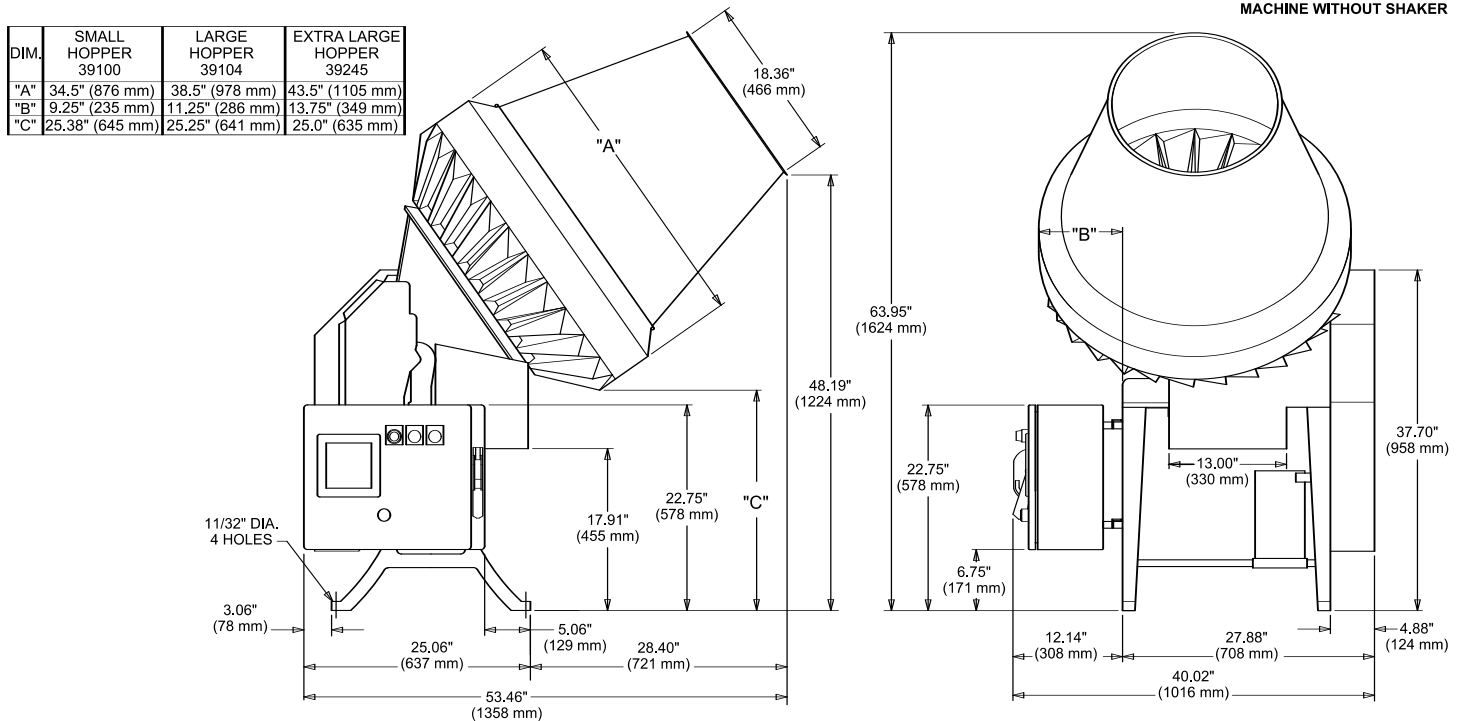
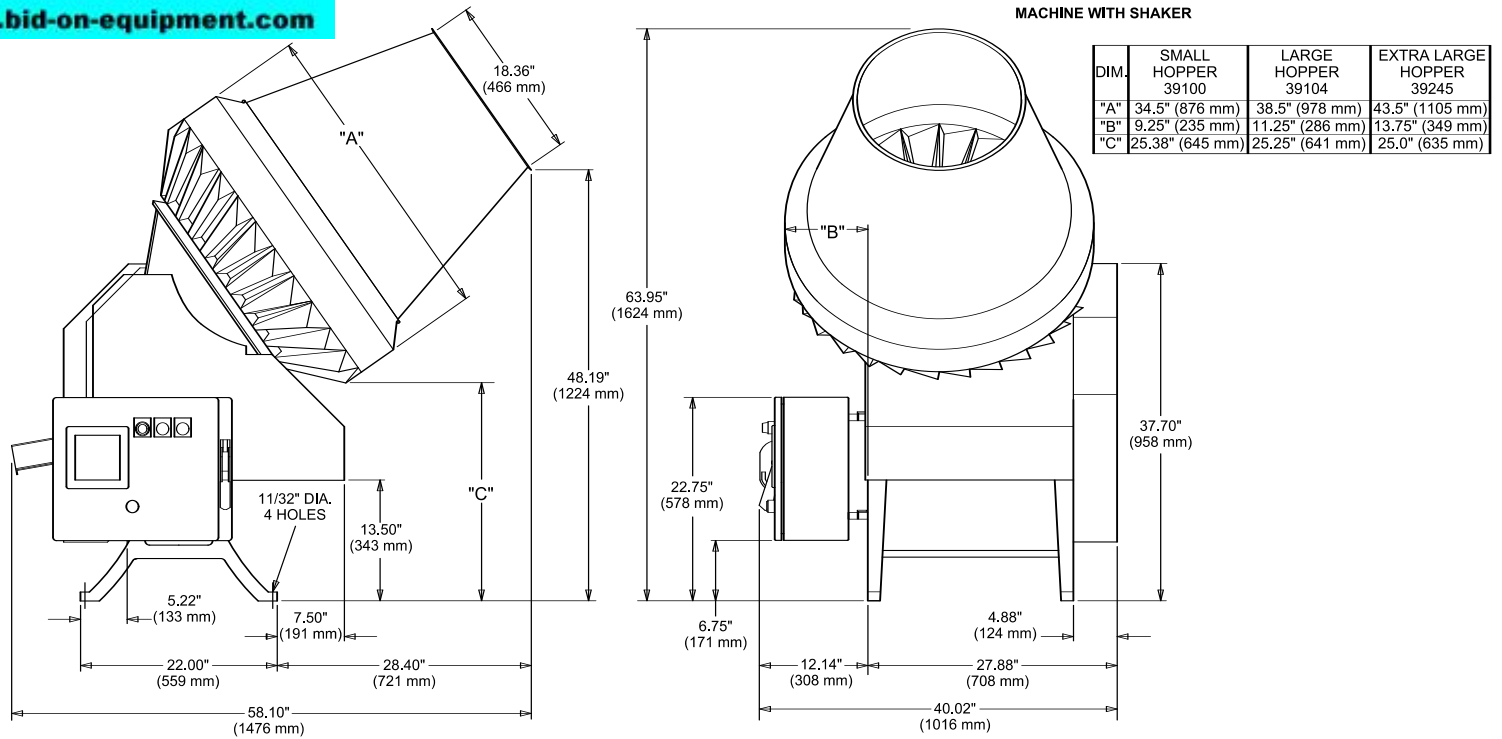


URSCHEL
LABORATORIES INCORPORATED

2503 Calumet Avenue, P.O. Box 2200
Valparaiso, Indiana 46384-2200 U.S.A.
219/464-4811 Fax: 219/462-3879
<http://www.urschel.com>
E-mail: info@urschel.com

**Designers and manufacturers of
precision size reduction equipment.**

Model 30 Dimensional Drawing

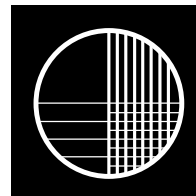


Your Product Can Be Test Cut

Urschel Laboratories has a complete network of test facilities and experienced service and sales representatives around the world ready to work for you on any size reduction application. Contact your local Urschel Laboratories' representative to schedule a comprehensive, no-obligation test today at www.urschel.com.

©Urschel is a registered trademark of Urschel Laboratories, Inc.

L2094 DEC 2006 (s.s. 1381)



URSCHTEL LABORATORIES INCORPORATED

2503 Calumet Avenue, P.O. Box 2200
Valparaiso, Indiana 46384-2200 U.S.A.
219/464-4811 Fax: 219/462-3879
<http://www.urschel.com>
E-mail: info@urschel.com

**Designers and manufacturers of
precision size reduction equipment.**