

# Comitrol® Processor Slant Model 3600

## Controlled Particle Size Reduction

**Packaging - Processing**  
**Bid on Equipment**  
1-847-683-7720  
[www.bid-on-equipment.com](http://www.bid-on-equipment.com)



Comitrol® Processor  
Model 3600 Slant

### SPECIFICATIONS

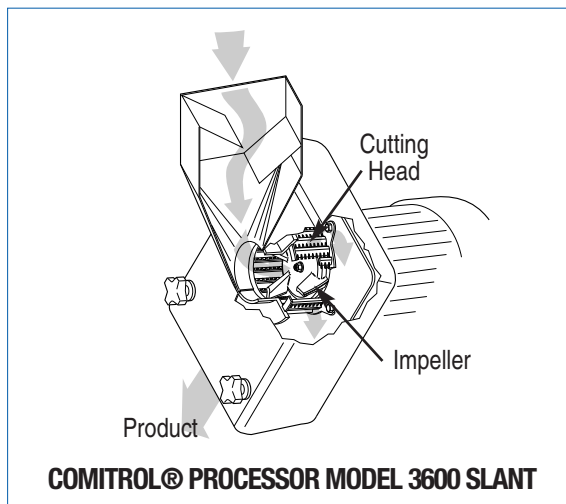
Comitrol® Processor Model 3600 Slant:  
Length: ..... 35.69" (907 mm)  
Width: ..... 29.21" (742 mm)  
Height: ..... 38.64" (981 mm)  
Net Weight: ..... 400 lb (181 kg)  
Motor: ..... Impeller - 10 HP (7.5 kW)

### APPLICATIONS

The compact size of the Comitrol Processor Slant Model 3600 makes the machine ideal for a wide range of small volume to high capacity production environments.

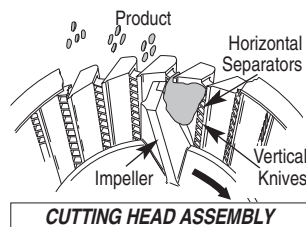
Processors benefit from the wide selection of cutting heads and impellers that are available for diverse applications such as chopping, flake cutting, granulating, pureeing, and emulsifying.

Foods such as meats, poultry, fruits, vegetables, and cheeses can be processed as well as many chemical and pharmaceutical products. The machine features continuous operation for uninterrupted production, and simplified design for easy cleanup and maintenance.



### OPERATING PRINCIPLE

Product is guided to the high speed, rotating impeller. When product reaches the impeller, it revolves at a high speed inside the cutting head. Centrifugal force propels the product outward past the cutting edges of the stationary reduction head. The cutting head has uniformly spaced thin horizontal bars, or separators. Small portions of product projecting into the spaces between the separators are cut off into flakes by spaced columns of vertical knives. These flakes quickly travel outward and away from the cutting head. The wall surfaces between the vertical knives are relieved to eliminate rubbing friction that would produce heat.



### TYPES OF CUTS

Particle sizes ranging from coarse to fine emulsions are possible. To ensure the proper combination of cutting parts, Urschel Laboratories, Inc. recommends your product be tested in one of our worldwide Product Test Cutting Facilities free-of-charge to find the most efficient solution to your size reduction needs.



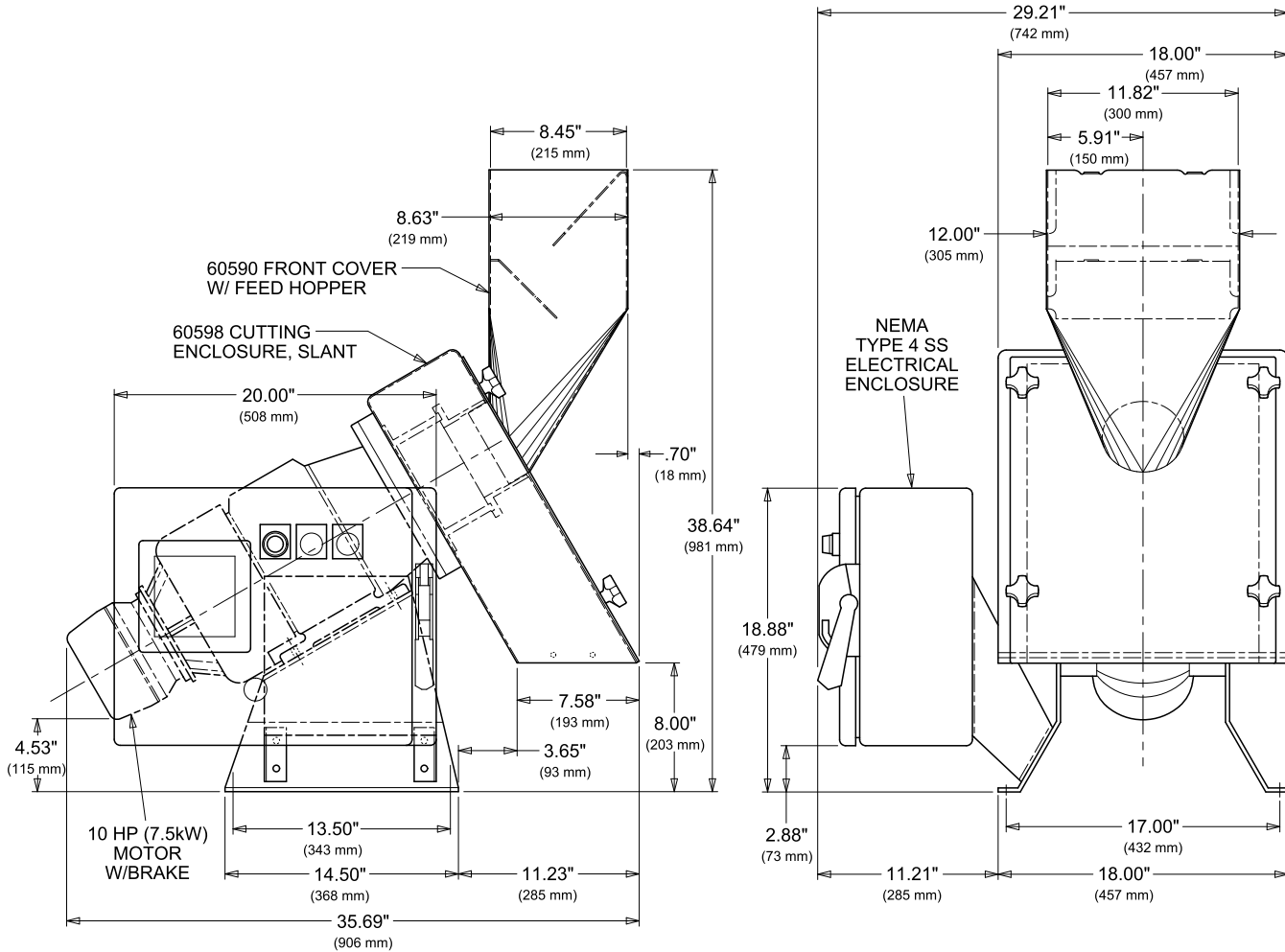
**URSCHEL**  
**LABORATORIES INCORPORATED**  
2503 Calumet Avenue, P.O. Box 2200  
Valparaiso, Indiana 46384-2200 U.S.A.  
219/464-4811 Fax: 219/462-3879  
<http://www.urschel.com>  
E-mail: [info@urschel.com](mailto:info@urschel.com)

**Designers and manufacturers of  
precision size reduction equipment.**

@Comitrol and Urschel are registered trademarks of Urschel Laboratories, Inc.

L2188 (s.s. L2065) JULY 2008

*If your product application is not mentioned on this page, contact your local Urschel representative to determine the most effective solution to your size reduction needs.*



## Your Product Can Be Test Cut

Urschel Laboratories has a complete network of product test cutting facilities and experienced service and sales representatives around the world ready to work for you on any size reduction application. Contact your local Urschel Laboratories' representative to schedule a comprehensive, no-obligation test today at [www.urschel.com](http://www.urschel.com)

©Comitrol and Urschel are registered trademarks of Urschel Laboratories, Inc.



## URSCHEL

**LABORATORIES INCORPORATED**

2503 Calumet Avenue, P.O. Box 2200  
Valparaiso, Indiana 46384-2200 U.S.A.  
219/464-4811 Fax: 219/462-3879

<http://www.urschel.com>  
E-mail: [info@urschel.com](mailto:info@urschel.com)

**Designers and manufacturers of  
precision size reduction equipment.**