

Project

Quantity

Item #

Model Specified:

CSI Section 11400

Spacesaver Refrigerator-Freezer Models/Self-Contained



Model UR48DT-14
(shown with optional base)



Solid Refrigerator Door Model UR48DT-6
Glass Refrigerator Door Model UR48DT-14

The Spacesaver product line was designed for use in a variety of applications where both narrow width and shallow depth are required. The UR48DT's compact footprint is 24" deep by 48" wide. They are ideal for front-of-house applications, can be built in, or installed freestanding on legs, casters, or a finished base.

Model UR48DT is available with either a stainless steel or clear glass door on the refrigerated section.

Choose from among several optional accessories to complete your Traulsen Spacesaver, such as additional shelves, or even a finished stainless steel base.

Standard Features

- Stainless Steel Exterior And Interior
- Exterior Mounted Digital Thermometer
- ¾ Height Stainless Steel Door Above Two Drawers/ Refrigerator Section With Full Length Freezer Section Door, Both Doors With Locks
- Adjustable Heavy Duty Wire Shelves
- Magnetic Snap-In Door Gaskets
- Guaranteed For Life Stainless Steel Horizontal Work Flow Door Handles - (solid doors only)
- Guaranteed For Life Door Hinges
- Self-Closing & Stay Open Door Features
- Stainless Steel Breaker Caps
- Energy Saving Defogger Control
- Automatically Activated Interior Incandescent Light (refrigerated compartment only)
- Set Of Four (4) 6" High Stainless Steel Adjustable Legs
- One Piece Lift-Up Louver Assembly
- Automatic Condensate Removal System
- Cord and Plug Attached
- 1 Year Parts And Labor Warranty
- 5 Year Compressor Warranty

Optional Accessories*

- URACC-SHLFC: One Additional Wire Shelf for Refrigerator Compartment
- URACC-SHLFD: One Additional Wire Shelf for Freezer Compartment
- URACC-BASE48: 4½" High Flush Stainless Steel Base
- URACC-CK1: Set of Four (4) 6" High Casters

*All accessories require field installation.



Listed by Underwriters Laboratories Inc., to U.S. and Canadian safety standards and Listed by NSF International.

Approval: _____



TRAUlsen
4401 BLUE MOUND RD.
PHONE 1 (800) 825-8220
Website: www.traulsen.com

FT. WORTH, TX 76106
FAX-MKTG. 1 (817) 624-4302

Packaging - Processing
Bid on Equipment
1-847-683-7720
www.bid-on-equipment.com

Project	Quantity	Item #
Model Specified:		CSI Section 11400

Specifications

Construction, Hardware and Insulation

Unit exterior sides, front, door and interior are constructed of heavy gauge stainless steel. Exterior top, back and bottom are constructed of heavy gauge aluminized steel. Door is equipped with guaranteed for life cam lift, gravity-action, metal glide hinges with stay open feature at 120°. Guaranteed for life, work flow handle is mounted horizontally over recess in door which limits protrusion from door face into aisle ways. Cylinder door locks are provided standard. Model UR48DT is supplied with two drawers on the refrigerated side, these are supplied with two removable anodized aluminum pans per drawer. Easily removable for cleaning, vinyl magnetic gasket assures tight door seal. Anti-condensate heaters are located behind each door opening. Cabinet and door contain high density, non-CFC, foamed in place polyurethane insulation. Supplied standard with a set of four (4) 6" high adjustable stainless steel legs.

Refrigeration System

A balanced, top-mounted refrigeration system, using R-134a refrigerant is located behind a one piece louver assembly for easy access. Automatic condensate removal is provided through use of a bottom mounted electric condensate evaporator. Standard operating temperature for the refrigerated compartment is 34-38°F and 0 to -5°F for the freezer compartment.

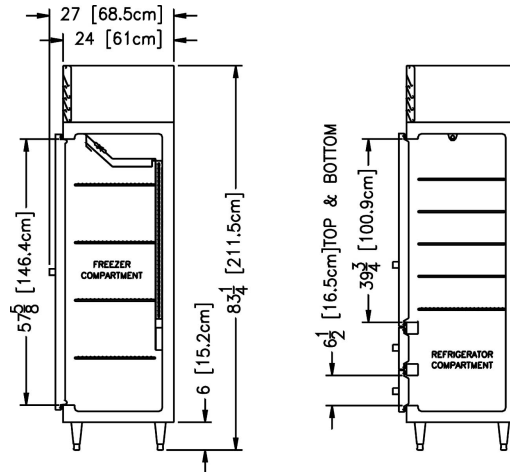
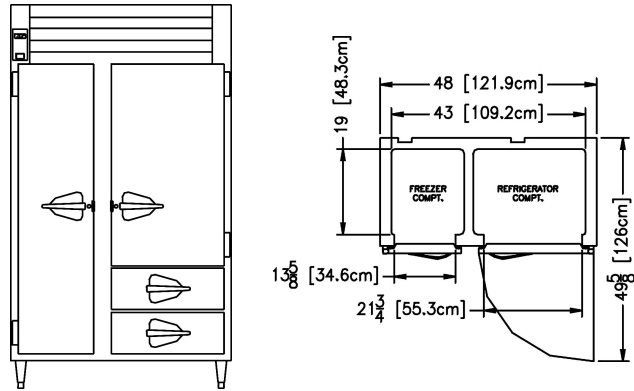
Interior

Supplied standard with five (5) wire freezer shelves and four (4) wire refrigerator shelves.

Warranties

The standard warranty is a five year compressor warranty and a one year parts and labor warranty on all components and the cabinet. Additional warranties are available at extra cost.

DIMENSIONAL DATA	UR48DT
Net Capacity - Total cu. ft.	28.8 (816 cu l)
Net Capacity - Refrigerator cu. ft.	17.9 (455 cu l)
Net Capacity - Freezer cu. ft.	10.9 (309 cu l)
Length - Overall in.	48 (121.9 cm)
Depth - Cabinet Only in.	24 (61 cm)
Depth - with Door Open 90° in.	49 ⁵ / ₈ (126 cm)
Depth - Overall in.	27 (68.5 cm)
Clear Door Width - Refrigerator in.	21 ³ / ₄ (55.3 cm)
Clear Door Width - Freezer in.	13 ³ / ₈ (34.6 cm)
Clear Freezer Door Height in.	57 ⁵ / ₈ (146.4 cm)
Clear Refrigerator Door Height in. T	39 ³ / ₄ (100.9 cm)
Height - Overall on 6" Legs in.	83 ¹ / ₄ (211.5 cm)
Height - Overall on 4 ¹ / ₂ " Base in.	81 ¹ / ₄ (207.6 cm)
Number of Freezer Shelves	5
Number of Refrigerator Shelves	4
Shelf Area - Total sq. ft.	26.8 (2.5 sq m)
Shelf Area - Refrigerator sq. ft.	17.3 (1.6 sq m)
Shelf Area - Freezer sq. ft.	9.5 (.9 sq m)
ELECTRICAL DATA	
Voltage	115/60/1
Feed Wires with Ground	3
Full Load Amperes	11.2
REFRIGERATION DATA	
Refrigerant	R-134a
BTU/HR (HP) - Refrigerator ¹	848 (1/6 HP)
BTU/HR (HP) - Freezer ¹	1515 (1/3 HP)
CARTON DIMENSIONS Domestic Crated Only	
Length - crated in.	63 (160 cm)
Depth - crated in.	43 (109.2 cm)
Height - crated in.	85 ¹ / ₄ (216.5 cm)
Volume - crated cu. ft.	131 (3711 cu l)
WEIGHT DATA	
Net Weight - uncrated lbs.	470 (214 kg)
Gross Weight - crated lbs.	570 (259 kg)



NOTES

NOTE: Figures in parentheses reflect metric equivalents.

¹= Based on a 90 degree F ambient and 20 degree F evaporator for refrigerators and a 90 degree F ambient and -20 degree F evaporator for freezers.

NOTE: When ordering please specify: Voltage, Hinging, Door Size, Options and any additional warranties. For fast order entry: Fax 1 (800) 765-8728.

Continued product development may necessitate specification changes without notice. Part No. TR35818 (revised 4/10)



Supplied With One NEMA 5-15 P Plug

TRAUlsen
4401 BLUE MOUND RD.
PHONE 1 (800) 825-8220
Website: www.traulsen.com

FT. WORTH, TX 76106
FAX-MKTG. 1 (817) 624-4302

Traulsen