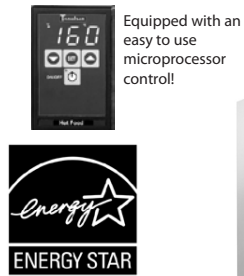


Project	Quantity	Item #
Model Specified:		CSI Section 11400

G-Series Pass-Thru Hot Food Holding Cabinets



Model G24314P

One & Two Section Models, 32" Deep



Aside from their anodized aluminum side and interior finishes, Traulsen's G-Series "Dealer's Choice" models meet or exceed the standard specifications and performance of most other brands top tier product offerings. Reliable, energy efficient, and durable, with large individual storage capacities, the high quality G-Series hot food holding cabinet line-up includes a wide range of one and two section reach-in models, built in our most popular footprints. They are available with either full or half height doors, and the added convenience of a variety of different door hings to choose from. In addition, each also includes a number of user-friendly features, making them one of the best overall equipment values in Foodservice today, and the right fit for nearly any commercial application.

AVAILABLE MODELS

*Door hinging when viewed from that side.

Single Section Models				Two Section Models			
Model #	Control Side		Other Side	Model #	Control Side		Other Side
	Door	Hinging	Hinging*		Door	Hinging	Hinging*
G14302P	Half	Right	Right	G24304P	Half	Left/Right	Left/Right
G14303P	Half	Right	Left	G24305P	Half	Left/Left	Left/Left
G14304P	Half	Left	Left	G24307P	Half	Right/Right	Right/Right
G14305P	Half	Left	Right	G24314P	Full	Left/Right	Left/Right
G14312P	Full	Right	Right	G24315P	Full	Left/Left	Left/Left
G14313P	Full	Right	Left	G24317P	Full	Right/Right	Right/Right
G14314P	Full	Left	Left				
G14315P	Full	Left	Right				

Standard Product Features

- High Quality Stainless Steel Exterior Front and Doors
- Corrosion Resistant Anodized Aluminum One-Piece Sides
- Durable Anodized Aluminum Interior
- Microprocessor Control With LED Temperature Readout Ducted Fan Air Distribution System
- Standard Operating Temperature Range 135 to 180°F
- One-Time Start-Up Temperature Adjustment Feature
- ON/OFF Switch Located On Control Face
- Full or Half Length Stainless Steel Doors With Locks
- Self-Closing Doors With Stay Open Feature At 120 Degrees
- Guaranteed For Life Cam-Lift Hinges
- Guaranteed For Life Horizontal Work Flow Door Handles
- Automatically Activated Incandescent Lights
- Damage Resistant Stainless Steel Breaker Caps
- Three (3) Chrome Plated Wire Shelves Per Section, Supported On Pilasters (installed at the factory)
- Special Heat Resistant Snap-In Door Gaskets
- Gasket Protecting Anodized Aluminum Door Liner
- Stainless Steel One-Piece Louver Assembly
- 9' Cord & Plug Attached (one section models only)
- Set of Four (4) 6" High Casters With Locks
- One Year Parts And Labor Warranty

Optional Accessory Kits

- Additional Chrome Plated Shelves*
- No. 1 Type Tray Slides* To Accommodate either: (1) 18" x 26" or (2) 14" x 18" Sheet Pans, Adjustable To 2" O.C.
- No. 4 Type Tray Slides* To Accommodate (1) 18" x 26" Sheet Pans (equips one full section)
- Universal Type Tray Slides* To Accommodate Either (1) 18" x 26" or (2) 14" x 18" Sheet Pans, or (2) 12" x 20" Steam Table Pans, Adjustable To 4" O.C.
- 6" High Adjustable Legs (for use in lieu of standard casters)
- Two Year Service/Labor Warranty Available

*Please refer to spec sheet TR35872 for optional accessory kit details

NOTE: All optional accessory kits are shipped separately for later installation by others at the jobsite.



Listed by Underwriters Laboratories Inc., to U.S. and Canadian safety standards and Listed by NSF International.

Approval: _____

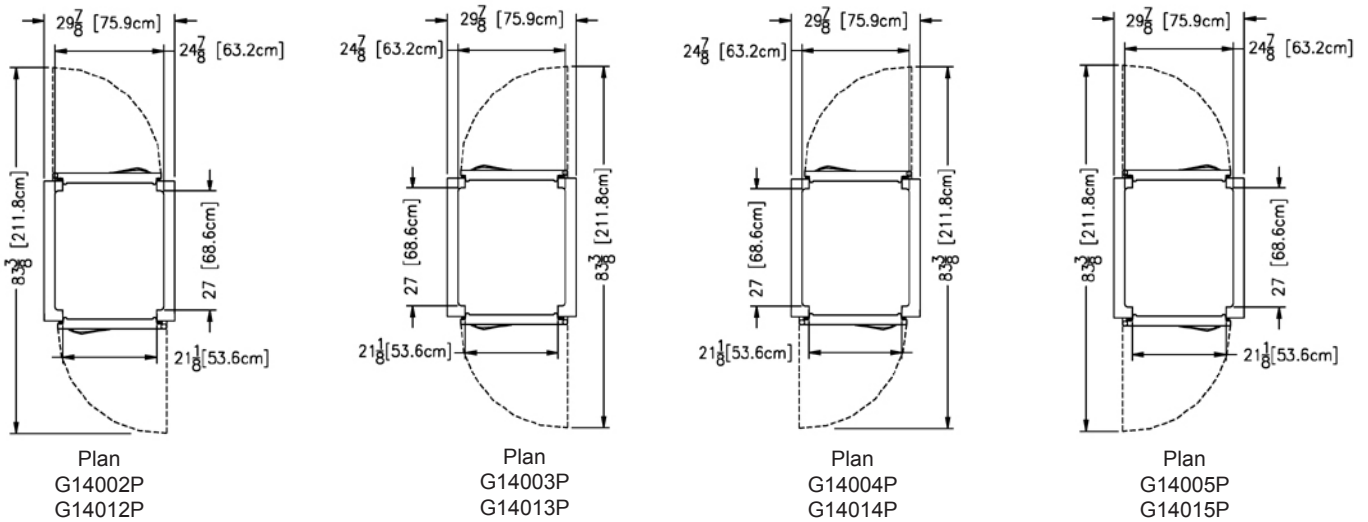
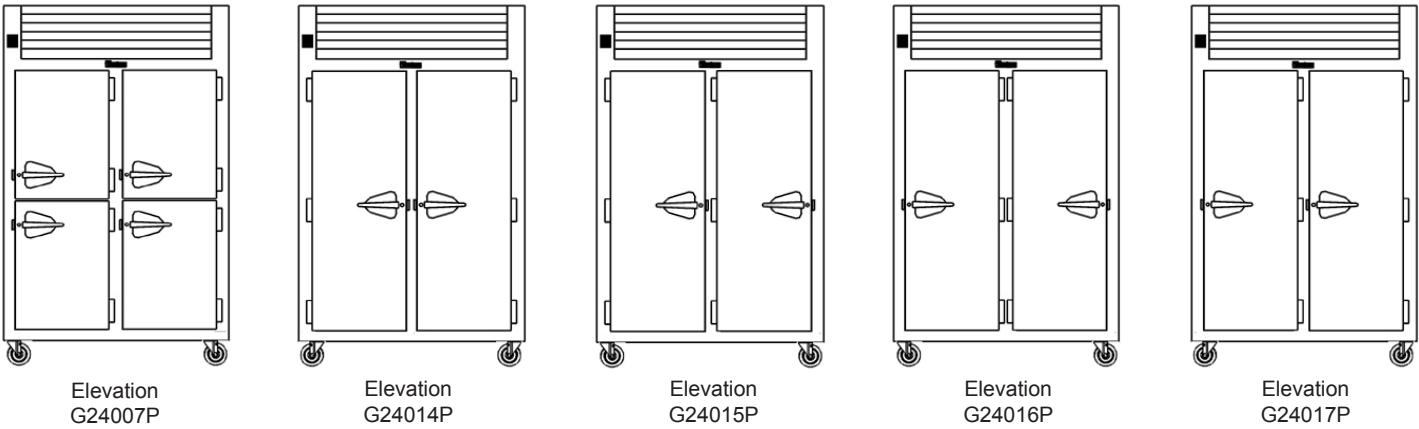
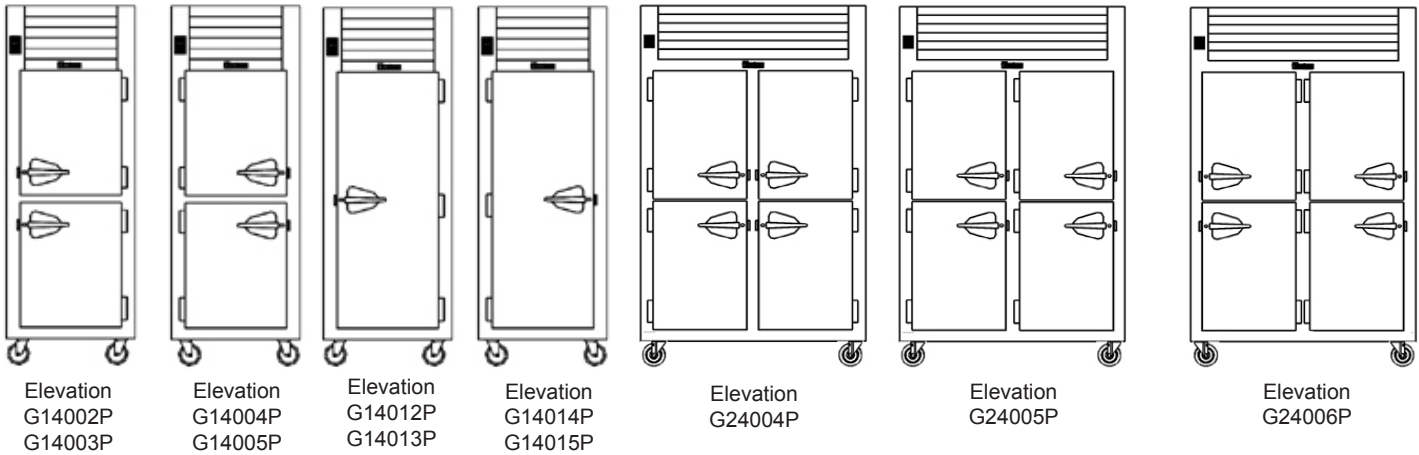


TRAUlsen
4401 BLUE MOUND RD.
PHONE 1 (800) 825-8220
Website: www.traulsen.com

FT. WORTH, TX 76106
FAX-MKTG. 1 (817) 624-4302

Packaging - Processing
Bid on Equipment
1-847-683-7720
www.bid-on-equipment.com

Project	Quantity	Item #
Model Specified:		CSI Section 11400



TRAUlsen
4401 BLUE MOUND RD.
PHONE 1 (800) 825-8220
Website: www.traulsen.com

FT. WORTH, TX 76106
FAX-MKTG. 1 (817) 624-4302



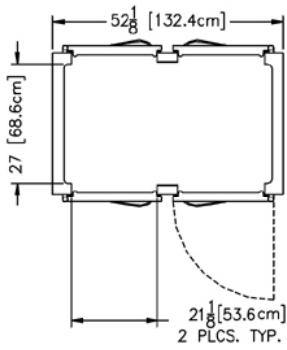
Project

Quantity

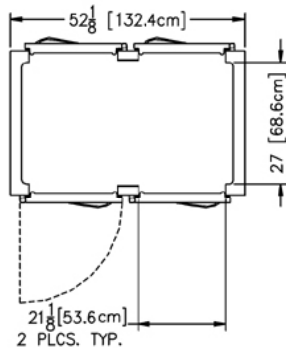
Item #

Model Specified:

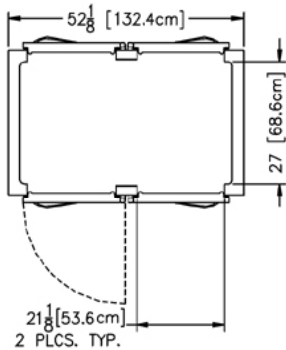
CSI Section 11400



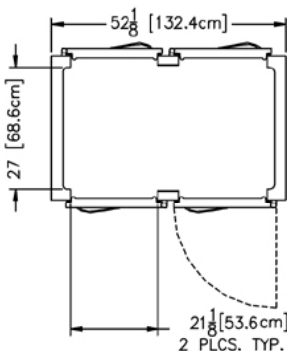
Plan
G24004P
G24014P



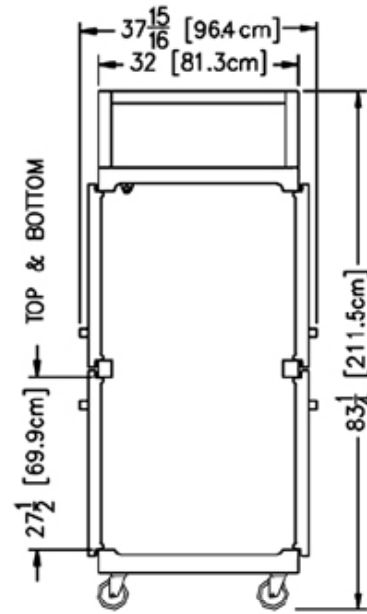
Plan
G24005P
G24015P



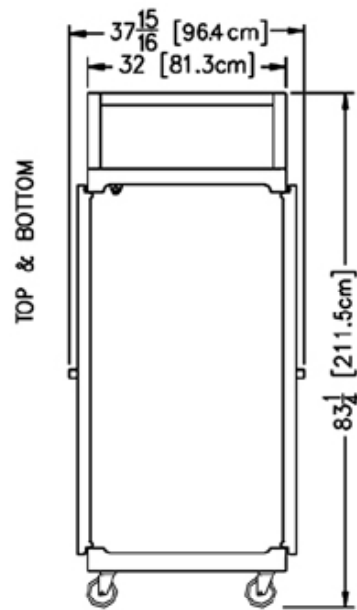
Plan
G24006P
G24016P



Plan
G24007P
G24017P



Section View
All Half Height Door Models



Section View
All Full Height Door Models



TRAULSEN
4401 BLUE MOUND RD.
PHONE 1 (800) 825-8220
Website: www.traulsen.com

FT. WORTH, TX 76106
FAX-MKTG. 1 (817) 624-4302

Packaging - Processing
Bid on Equipment
1-847-683-7720
www.bid-on-equipment.com

Project	Quantity	Item #
Model Specified:		CSI Section 11400

Specifications

Construction, Hardware and Insulation

Cabinet exterior front, louver assembly and doors are constructed of 20 gauge stainless steel. Cabinet sides (including returns), interior and door liners are constructed of anodized aluminum. The exterior cabinet top and bottom are constructed of heavy gauge aluminized steel. A set of four (4) 6" high casters are included.

Doors are equipped with a gasket protecting metal door pan, removable plug cylinder locks and guaranteed for life cam-lift, gravity action, self-closing metal, glide hinges with stay open feature at 120 degrees. Hinges include a concealed switch to automatically activate the interior incandescent lighting. Guaranteed for life, work flow door handles are mounted horizontally over recess in door which limits protrusion from door face into aisleways.

Easily removable for cleaning, vinyl magnetic door gasket assures tight door seal. Anti condensate heaters are located behind each door opening.

Both the cabinet and doors are insulated with an average of 2" thick high density, non-CFC, foamed in place polyurethane.

DIMENSIONAL DATA	1-Section Models	2-Section Models
Net capacity cu. ft.	25.6 (719 cu l)	48.8 (1371 cu l)
Length - overall in.	29 ⁷ / ₈ (75.9 cm)	52 ¹ / ₈ (132.4 cm)
Depth - overall in.	37 ¹ / ₈ (96.4 cm)	37 ¹ / ₈ (96.4 cm)
Depth - over body in.	32 (81.3 cm)	32 (81.3 cm)
Depth - door open 90° in.	57 ⁷ / ₈ (146.3 cm)	57 ⁷ / ₈ (146.3 cm)
Clear door width in.	21 ¹ / ₈ (53.6 cm)	21 ¹ / ₈ (53.6 cm)
Clear half-door height in.	27 ¹ / ₂ (69.9 cm)	27 ¹ / ₂ (69.9 cm)
Clear full-door height in.	57 ⁷ / ₈ (146.3 cm)	57 ⁷ / ₈ (146.3 cm)
Height-overall on 6" casters	83 ¹ / ₄ (211.5 cm)	83 ¹ / ₄ (211.5 cm)
No. Standard Shelves	3	6
Shelf area sq. ft. ¹	18.8 (1.75 sq m)	34.6 (3.21 sq m)
ELECTRICAL DATA		
Voltage	208/115/60/1	208/115/60/1
Feed wires with Ground	4	4
Wattage @ 208V	1500	3000
Full load amperes	7.8	15.5
SHIPPING DATA		
Length - crated in.	35 (89 cm)	63 (160 cm)
Depth - crated in.	43 (109 cm)	43 (109 cm)
Height - crated in.	83 ¹ / ₂ (212 cm)	83 ¹ / ₂ (212 cm)
Volume - crated cu. ft.	71 (2011 cu l)	131 (3711 cu l)
Net Wt. lbs.	305 (138 kg)	450 (204 kg)
Gross Wt. lbs.	395 (179 kg)	590 (268 kg)

NOTES

NOTE: Figures in parentheses reflect metric equivalents.
1= Figure shown reflects the area of standard shelf compliment plus the additional storage area available on the cabinet bottom.



Equipped With One NEMA L-14-20P Plug
(one section models only)

Heating System

A low watt density, serpentine style, heater is employed for the generation of electric heat. Low velocity air is forced across its large surface area to efficiently move heat radiating away from these through a down-air distribution duct, where it is then evenly distributed throughout the cabinet, assuring the proper holding environment for hot food product, without drying. A vent, located at the top of the cabinet, is included for positive humidity control.

Controller

The easy to use water resistant microprocessor control system is supplied standard. It includes a 3-Digit LED Display, and a Fahrenheit or Celsius Temperature Scale Display Capability.

Interior

Standard interior arrangements include three (3) chrome plated wire shelves per section, mounted on pilasters, installed at the factory. Shelves are full-width, and do not have any large gaps between them requiring the use of "bridge" or "junior shelves." Recommended load limit per shelf should not exceed 225 lbs.

Warranties

A one year parts and labor warranty is provided standard. An optional 2nd year extended parts and labor warranty is also available.

NOTE: When ordering please specify: Voltage, Hinging, Door Size, Options and any additional warranties.

Continued product development may necessitate specification changes without notice.
Part No. TR35903 (revised 12/10)

TRAULSEN
4401 BLUE MOUND RD.
PHONE 1 (800) 825-8220
Website: www.traulsen.com

FT. WORTH, TX 76106
FAX-MKTG. 1 (817) 624-4302