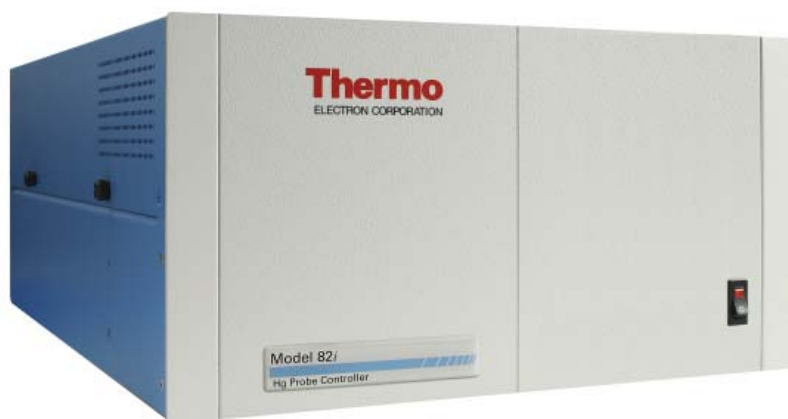


## Model 82i Mercury Probe Controller

Electronic control of probe temperature, pressure, flow rate, and automated functions.



The Model 82i Mercury Probe Controller is one of the four major components of the Mercury Freedom System.

The Model 82i is microprocessor-driven and connected by an umbilical to the stack probe and mercury converter. The controller automates probe calibration and dynamic spiking, and confirms autodilution. In addition, it monitors probe temperature, measures flow rates and pressure in the sampling loop, and enables automated filter blowback.

Designed to meet the provisions of 40CFR Parts 60 and 75, the Mercury Freedom System provides a complete mercury monitoring solution that reports elemental, ionic, and total mercury in exhaust stacks from both coal-fired boilers and waste incinerators.

The Model 82i also offers the benefits of the new iSeries gas analyzer platform.

The iSeries platform features flexible communications, increased serviceability, and an easier to use interface. Ethernet connectivity provides efficient remote access, allowing the user to download measurement information directly from the instrument without having to be on site. Captive hardware and slide-apart modules allows easy access for service and periodic maintenance.

You can easily program soft-keys to allow you to jump directly to frequently accessed functions, menus or screens. The larger interface screen can display up to five lines of measurement information while the primary reporting screen remains visible.

### Key Features

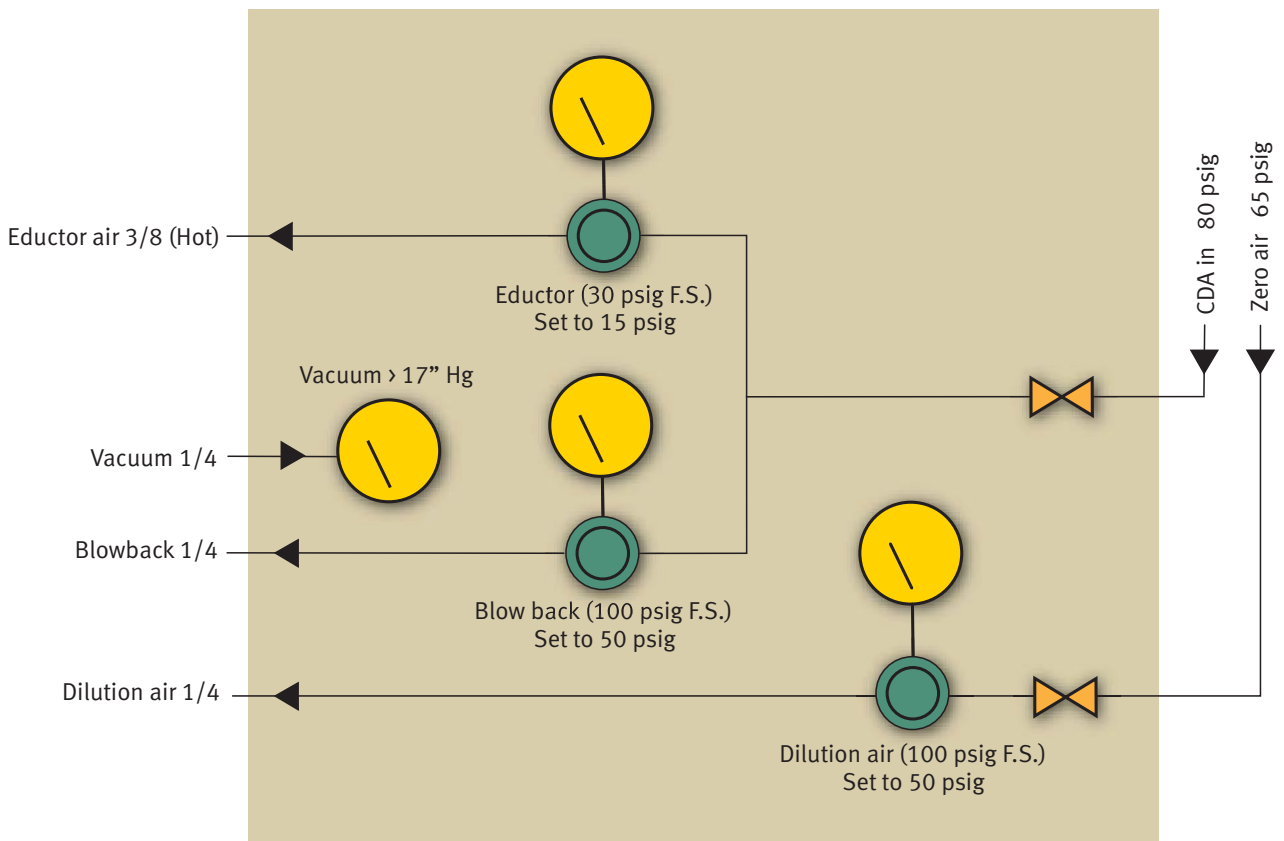
- Microprocessor driven for added automation
- Automates probe calibration
- Enables automated stinger and filter blowback
- Provides power to the probe eliminating the need for power at the stack
- Monitor and regulates pressure using electronic transducers and regulators

To maintain optimal product performance, you need immediate access to experts worldwide, as well as priority status when your air quality equipment needs repair or replacement. Thermo Electron offers comprehensive, flexible support solutions for all phases of the product lifecycle. Through predictable, fixed-cost pricing, Thermo services help protect the return on investment (ROI) and total cost of ownership of your Thermo Electron air quality products.

## Product Specifications

Operating Temperature	5° - 40°C
Power Requirements	120 vac, 15 amp circuit 220 vac, one 15 amp circuit 220 vac, one 30 amp circuit for <200' line 220 vac, two 30 amp circuits for >200' line
Size and Weight	16.75" (W) x 8.62" (H) x 23" (D), 48lbs. 425 mm (W) x 219 mm (H) x 584 mm (D), 21.8 kg
Air Requirements	10 lpm zero air 4 CFM dry air

### Model 82i Hg Probe Controller



This specification sheet is for informational purposes only and is subject to change without notice. Thermo makes no warranties, expressed or implied, in this product summary. © 2006 Thermo Electron Corporation. All rights reserved. Thermo Electron Corporation, Analyze. Detect. Measure. Control are trademarks of Thermo Electron Corporation

Lit\_82iEID\_02/06

**Environmental Instruments**  
 Air Quality Instruments

[www.thermo.com/mercury](http://www.thermo.com/mercury)

27 Forge Parkway  
 Franklin, MA 02038 USA

Takkebijsters 1  
 Breda, BL 4817  
 The Netherlands

+1 (866) 282-0430  
 +1 (508) 520-1460 fax

+31 (0) 76 5879888  
 +31 (0) 76 5816520 fax