

C122

Batch Ice Cream Freezer

Features

Serve homemade, medium overrun gourmet ice cream, custard, gelato, sorbet, Italian ice and slush. Mix and liquid flavorings may be poured into the convenient fill chute on the door. Fruits, candies and nuts can be folded in as product is being drawn into your container. Manufactured in Italy by Frigomat to ensure European equipment quality and technology to serve gelato or medium overrun frozen desserts.

Freezing Cylinder

One, 8.5 quart (8.0 liter).

Consistency Control

Viscosity is controlled by setting the control in two alternate positions.

Electronic Consistency Control

Automatically senses product viscosity to control the refrigeration system for perfect ice cream quality, batch after batch.

Variable Batch Size

Adjust to second, lower viscosity setting, for smaller pre-charge of mix.

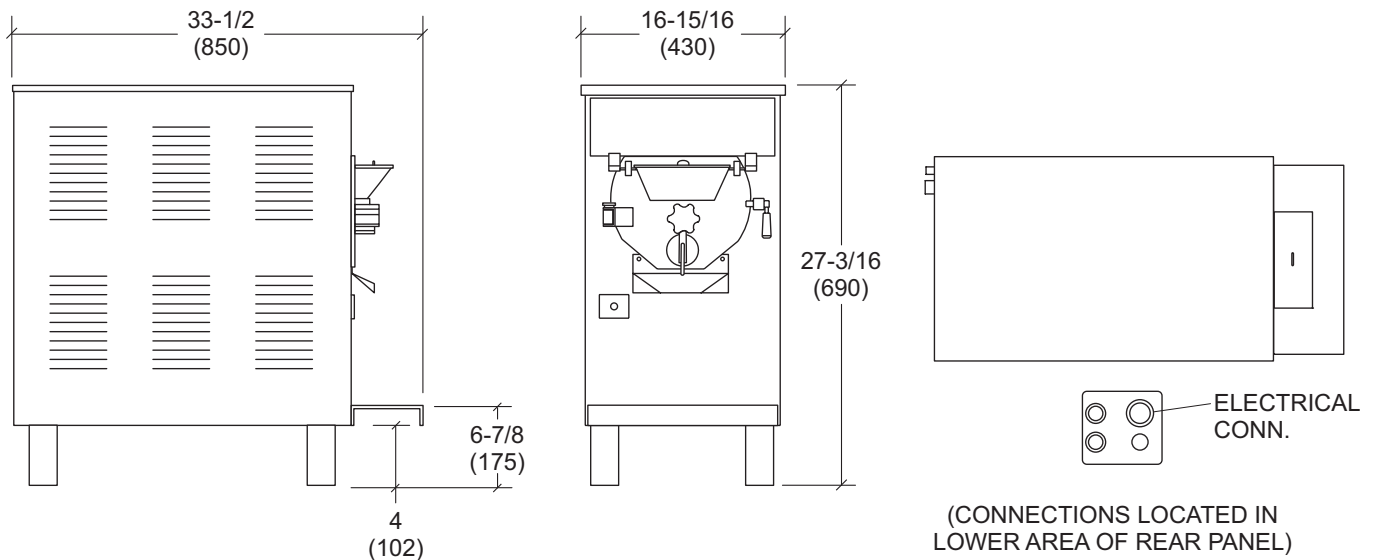


Standard 8



Conforms to ANSI
UL STD 621
Certified to CAN
CSA STD 22.2
NO 120

C122 Batch Ice Cream Freezer



NOTE: FIGURES IN PARENTHESES INDICATE MILLIMETERS.

Weights	lbs.	kgs.
Net	315	143
Crated	377	171
	cu. ft.	cu. m.
Volume	16.4	0.46

Dimensions	in.	mm.
Width	16-15/16	430
Depth	33-1/2	850
Height	27-3/16	690
Counter Clearance	4	102

*Mounted on standard legs

Electrical	Maximum Fuse Size	Minimum Circuit Ampacity	Poles (P) Wires (W)
208-230/60/1 Air	25	20	2P 3W

This unit may be manufactured in other electrical and cooling characteristics. Refer to the local Taylor Distributor for availability. (For exact electrical information, always refer to the data label of the unit.)

Bidding Specs

Electrical: Volt _____ Hz _____ ph _____
 Neutral: Yes No | Cooling: Air Water NA

Options: _____

Specifications

Electrical

One dedicated electrical connection is required. See the Electrical chart for the proper electrical requirements. Manufactured to be permanently connected. Consult your local Taylor distributor for cord & receptacle specifications as local codes allow.

Beater Motor

One, 1.5 HP beater motor.

Refrigeration System

One, approximately 11,500 BTU/hr. R404A.
 (BTUs may vary depending on compressor used.)

Air Cooled

Minimum 6" (152 mm) on both sides and 12" (305 mm) at rear. Minimum air clearances must be met to assure adequate air flow for optimum performance.

Continuing research results in steady improvements; therefore, these specifications are subject to change without notice.



Taylor Company,
 A Division of Carrier Commercial Refrigeration, Inc.
 Rockton, Illinois 61072
 815-624-8333 800-255-0626 Fax 815-624-8000
www.taylor-company.com

Packaging - Processing
Bid on Equipment
 1-847-683-7720
www.bid-on-equipment.com