



TOTALLY DIFFERENT.



C006

FlavorShot Dispenser

Features

Portion controlled flavor dispenser allows the operator to select the proper amount of nine flavors, three combinations of selected flavors, and liquid sugar, for various menu items and sizes.

Convenient Storage

Nine individual tanks store and dispense the various flavors. Each tank holds 750 ml. Tanks may be refilled through the lid opening without removing from the cabinet. Each tank is marked with a fill line. Liquid sugar is drawn from its own separate container, within 3 feet (0.9 m) of the dispenser.

Controls

Operator selects appropriate flavor or combination flavor, menu item desired, and serving size from durable touch screen panel.

Indicator Lights

Power light illuminates when cord is plugged in and power switch is turned on. Desired flavor and menu item buttons illuminate when selected. When the level in the tank reaches the mix low condition, the product light flashes. When the level in the tank reaches the mix out condition, the product light flashes faster, and the flavor is locked out until tank is refilled and reset.

Drip Tray

Cup locator assures proper cup placement for dispensing the full portion into the cup. Drip tray is easily removable for cleaning.

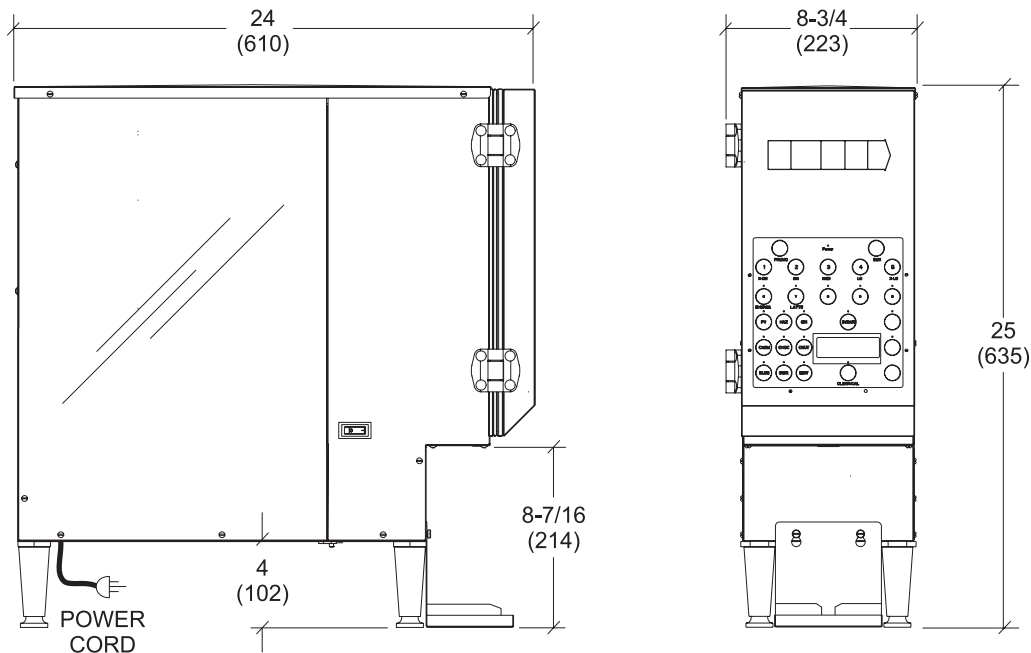


Rockton, Illinois 61072
800-255-0626
Phone 815-624-8333 Fax 815-624-8000
www.taylor-company.com
e-mail: info@taylor-company.com

International Office
Taylor Company S.r.l.
Roma, Italy
Tel: +39-06-420-12002 Fax: +39-06-420-12034
e-mail: romeoff@taylor-company.com

Packaging - Processing
Bid on Equipment
1-847-683-7720
www.bid-on-equipment.com

C006 FlavorShot Dispenser



NOTE: FIGURES IN PARENTHESES INDICATE MILLIMETERS.

Weights	lbs.	kgs.
Net	67	30.4
Crated	72	32.7
	cu. ft.	cu. m.
Volume	10.2	0.29

Dimensions	in.	mm.
Width	8-3/4	223
Depth	24	610
Height	25	635
Counter Clearance	4	102

Mounted on standard legs.

Electrical	Total Amps	Supplied with NEMA Cord
115 to 250 volt, 50/60, 1 ph	2.0	5-15P

*This unit may be manufactured in other electrical characteristics. Refer to the local Taylor Distributor for availability.
(For exact electrical information, always refer to the data label of the unit.)*

Bidding Specs

Electrical: Volt _____ Hz _____ ph _____
Neutral: Yes No Cooling: Air Water NA

Options: _____

Specifications

Electrical

One electrical connection is required. See the Electrical chart for the proper electrical requirements. Manufactured to be cord connected. Consult the international Taylor distributor for cord & receptacle specifications for 50 Hz. equipment.

Recommended Clearance

Minimum clearance: 1" (25 mm) at the rear, and 4" (102 mm) underneath.
Minimum air clearances must be met to assure adequate air flow for optimum performance.

Continuing research results in steady improvements; therefore, these specifications are subject to change without notice.



Taylor Company
A Division of Carrier Commercial Refrigeration, Inc.
Rockton, Illinois 61072
815-624-8333 800-255-0626 Fax 815-624-8000
www.taylor-company.com

Packaging - Processing
Bid on Equipment
1-847-683-7720
www.bid-on-equipment.com