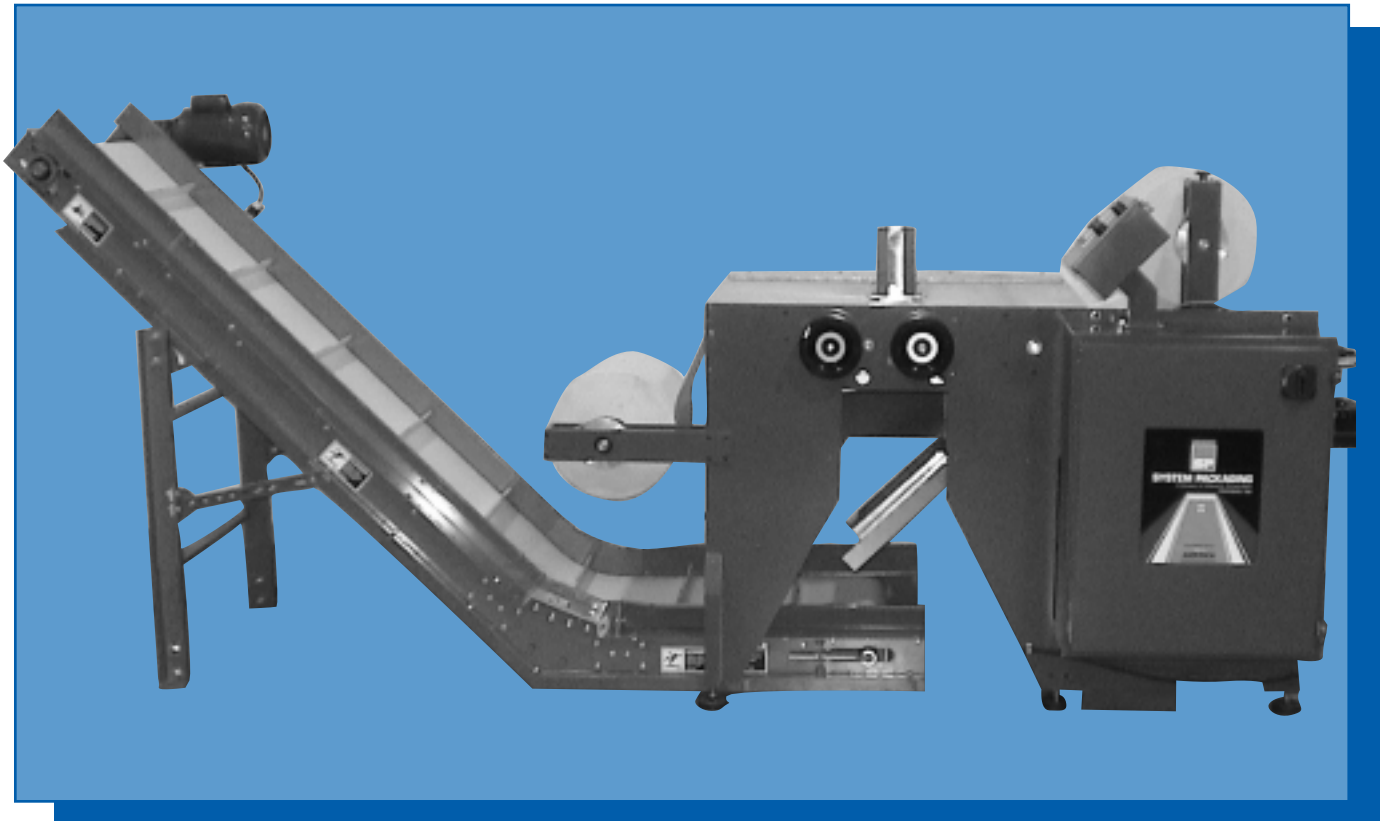


Model 4500



Model 4500 - Ideal for packaging a variety of small items

The Model 4500 is ideal for packaging hardware, fasteners, electronic parts and drapery accessories. The 4500 is available in 6, 12 or 15 inch web width – for use with paper, polyethylene, or a combination of both. With hand or automatic feed, the system can deliver up to 40 to 50 units per minute

A wide selection of options are available to adapt this versatile double web pouch machine to suit your particular packaging requirements.



SYSTEM PACKAGING

Model 4500

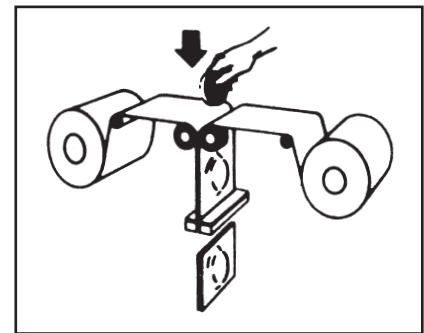
SPECIFICATIONS

Model	DIMENSIONS			MAXIMUM SPEED (units per minute)	PACKAGE SIZE (ADJUSTABLE)		STANDARD ELECTRICAL REQUIREMENTS
	L	D	H		Min.	Max.	
4500-6	41"	31"	33"	Up to 50	3" x 3"	6" x 8"	110-120 volt, 60 hz., 6 amp*
4500-12	52"	34"	37 ³ / ₄ "	Up to 45	3" x 3"	12" x 20"	110-120 volt, 60 hz., 15 amp*
4500-15	55"	34"	37 ³ / ₄ "	Up to 45	3" x 3"	15" x 20"	110-120 volt, 60 hz., 15 amp*

*Also requires an 80 PSIG Air Connection

FEATURES

- ▶ 6 or 12 inch web width
- ▶ Forms pouches as deep as 20"
- ▶ No warm-up or cool-off time
- ▶ Low electricity consumption...no special ventilation problems
- ▶ Dial-in length control system lets operator vary pouch length in 1/10" increments for utmost economy of material



OPTIONS

- ▶ Electric eye cutoff
- ▶ Roll printer
- ▶ Print and apply labelers, for direct package labeling
- ▶ Casters
- ▶ Batch counter
- ▶ Infeed conveyer (Bucket)
- ▶ Incline Conveyor
- ▶ Parts counter and feeder
- ▶ No product/No package

WEBS

- ▶ Paper — Paper
- ▶ Poly — Paper
- ▶ Poly — Poly
- ▶ Air Cap



SYSTEM PACKAGING

28905 GLENWOOD ROAD • P.O. BOX 109
 PERRYSBURG, OHIO 43552-0109
 419/666-9712 • FAX 419/666-8072
 E-MAIL: sales@systempackaging.com

A Division of Glassline Corporation

