

SWECO®

SANASEP™

FOR THE MOST STRINGENT APPLICATIONS

From checking incoming raw materials to safety screening in final packaging, the Sweco® SanASep™ insures manufacturers the most sanitary separation possible. The SanASep is engineered for use in pharmaceutical, food, dairy and other cross-contaminant, sensitive applications. With a crevice-free interior, easy access screen clamping devices and streamlined exterior, the SanASep is designed and manufactured to CGMP standards and meets the requirements of 3A, USDA and FDA applications. Constructed of polished stainless steel, the unit minimizes product build-up with flush connections, radius corner spouts, and continuous seam welds. Currently available in 24" to 60" diameters, the SanASep can be customized with a variety of materials and surface finishes, in-place cleaning capability, screen cleaning/deblinding devices and portable or stationary stands.



Low Profile design with optional integral cover and stainless steel motors shown

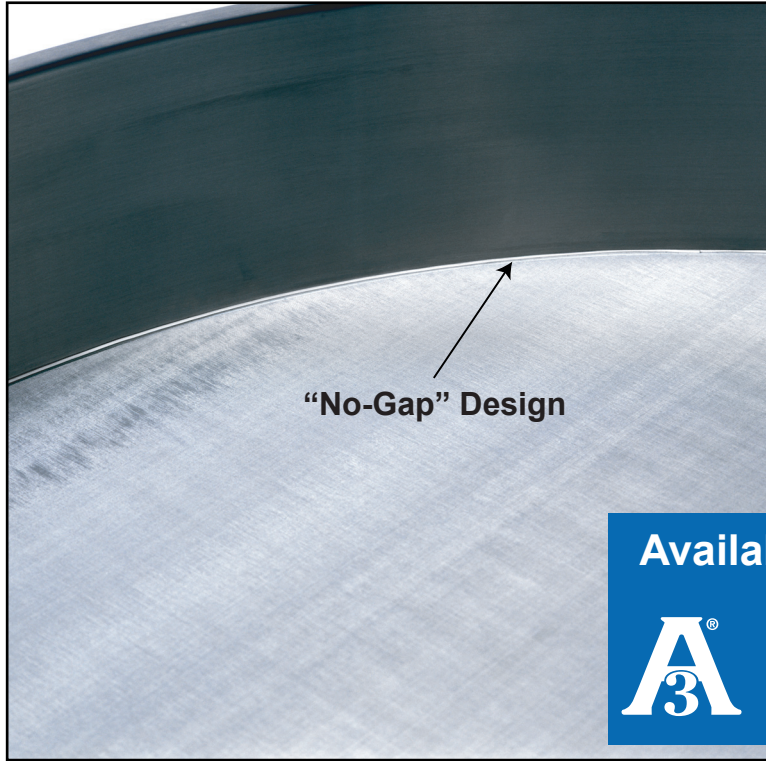
SanASeps are available in 24", 30" and 40" compact designs and 30", 48" and 60" sanitary base designs.

SanASep's Are Polished to Specified Surface Finishes to Eliminate Crevices.



We Put Technology In Motion™
www.sweco.com

No Gap - No Problem Hygienically Engineered



The SanASep's "No-Gap" design prevents product from getting trapped between the frame and the edge of the screen. When the product gets trapped, build-up occurs, contributing to contamination and other unsanitary conditions. The screen ring is designed to be outside the separation chamber, yielding a crevice-free interior allowing the product to be exposed only to screen mesh.

Available Industry Specifications



Sweco QuickClamp

Engineered by Sweco, the SanASep's QuickClamp design eliminates the need for clamp bands on the machine.

QuickClamps are available on

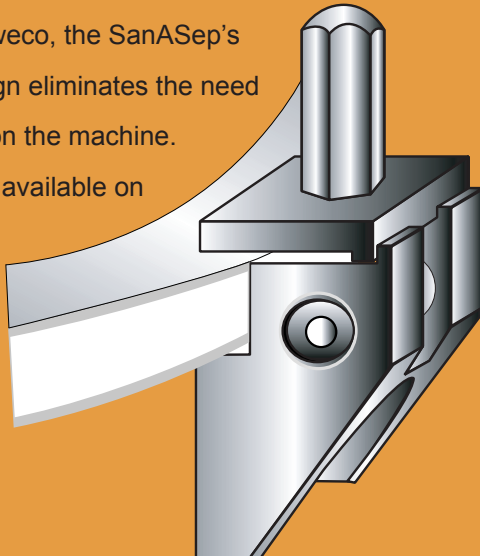
both the Low

Profile and

Stainless Steel

Sanitary

designs.



Features

- Designed for contaminant sensitive applications
- Crevice-free interior
- Streamlined exterior
- Easy access screen clamping devices
- No clamp bands
- "No-gap" design
- Radius cornered spouts
- Continuous seam welds
- Two drive packages
 - Low Profile
 - Sanitary
- Optional integral cover
- Optional stainless steel motors for Low Profile drive



We Put Technology In Motion™
e-mail: info@sweco.com