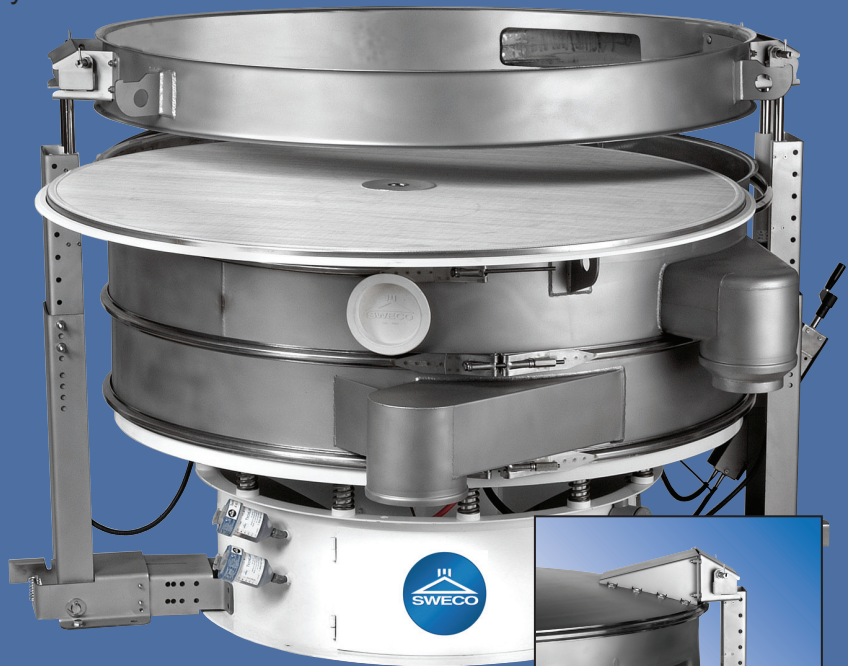


# SWECO®

## QUICKCHANGE™ NV SEPARATOR

### THE FASTEST SCREEN CHANGING SYSTEM IN THE INDUSTRY

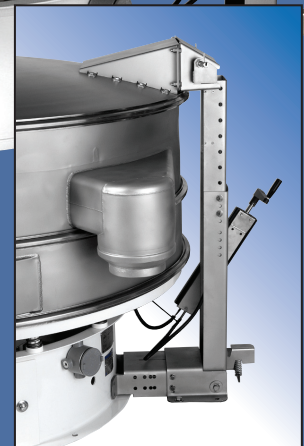
**S**creen changes have never been easier or faster than with the operator-friendly QuickChange™ NV from Sweco®. QuickChange NV reduces screen changing to a one-man operation, greatly reducing the necessary labor and eliminating the need to involve maintenance crews. Powered by a self-contained hydraulic unit, the system does not require any outside utility hook-ups and no staging area is needed during screen changes. Screen changes can be made quickly, significantly reducing downtime and greatly increasing productivity. QuickChange NV is available on new units or for field retrofit. Another Sweco innovation that separates us from the rest.



Patent #6,698,593

**ACCESS ANY SCREEN  
QUICKLY AND EASILY**

**THE HYDRAULIC LIFTING CYLINDERS  
LIFT THE FRAMES TO ALLOW  
FOR EASY SCREEN REMOVAL**



*Lifting systems are available  
in both frame mounted and  
cover mounted designs.*



*We Put Technology In Motion™*

[www.sweco.com](http://www.sweco.com)

**SWECO HEADQUARTERS**, P.O. Box 1509, 8029 U.S. Highway 25, Florence, KY 41022-1509: +1 (859) 371.4360 Fax: +1(859) 283.8469  
**SWECO MACON**, 2919 Joycliff Road, Macon, GA 31211-2805: +1 (478) 745.5419 Fax: +1 (478) 741.1394  
**SWECO EUROPE S.A.**, Rue de la Recherche, 8, Parc Industriel Sud-Zone I, B-1400 Nivelles, Belgium: +32-67-893434 Fax: +32.67.214368  
**SWECO ASIA**, 63 Hillview Ave. #03-02, Lam Soon Industrial Building, Singapore 669569: +65.6762.1167 Fax: +65.6762.1313  
**SWEQUIPOS S.A. DE C.V.**, Aut. Mex-Qro, #2500 Km. 23.2, Tlalnepantla, Edo. Mexico: +52 (5) 390-07-32, Fax: +52 (5) 565-98-18

# Reduces The Time Needed To Change Screens By Up To 75%

## Mobile QuickChange System

The Mobile QuickChange has all of the advantages of the standard QuickChange NV with the added benefit of being "mobile". This time-saving device would be a welcome addition to any plant with multiple round separator machines.

### How It Works

After removing the clamp band of the targeted deck, simply maneuver the Mobile QC into position next to the separator, lock the clamping devices onto the frame brackets, and lift the frames using the hand operated pump for easy screen removal. Once the screen is changed and the frame stack replaced, move onto the next machine for another simple screen change.



### How It Works - QuickChange NV

The QuickChange NV utilizes a set of closed loop hydraulic lifters, which are mounted off the base of the unit or to the plant floor. Brackets are mounted on either the side of the top frame or on the cover. These mounting systems are designed to lift the frame or cover and any additional frames that remain attached. After the removal of the clamp band from the frame level in which the screen will be removed and replaced, the lifters are tilted toward the machine to engage the brackets on the top frame or on the cover for lifting. A hand operated pump lifts the frame(s)/cover above the screen for easy removal.

### Features & Benefits

- Available in 30" to 72" diameter machines, one- to three-deck systems
- QuickChange NV retrofit kits are available for all Sweco and virtually all competitive round separators (30" to 72")
- Available as frame or cover mounted systems
- Save thousands of dollars in lost production by improving inspection, reducing downtime and limiting maintenance calls
- Efficient hydraulic elevation system eliminates frame handling, reducing frame damage
- Non-Vibrating components increases the system's robustness
- Available with Sweco Avalanche frames, Flow-Thru Separators and PSI Sifters



**We Put Technology In Motion™**  
e-mail: [info@sweco.com](mailto:info@sweco.com)

