

SWECO®

FMD-3LR FINISHING MILL

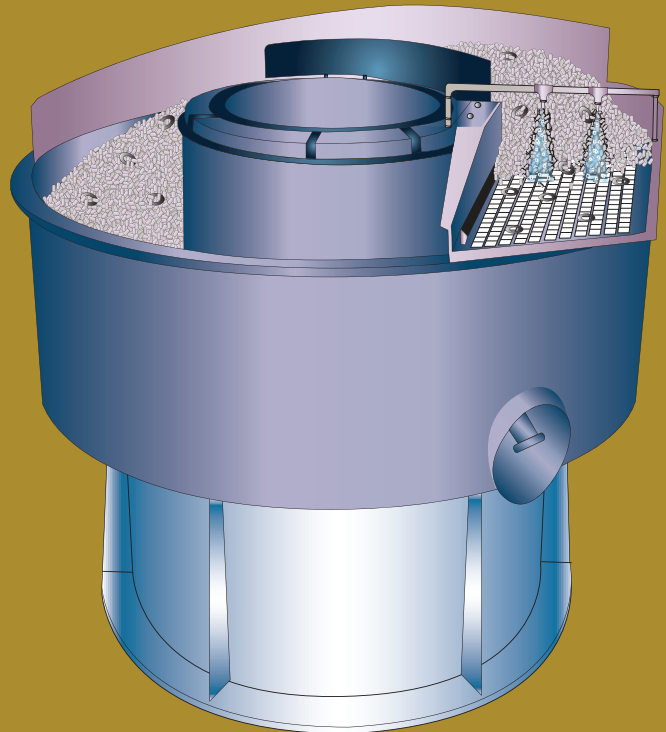
A NEW GENERATION OF FINISHING MILLS

The Sweco FMD-3LR Finishing Mill offers more versatility to better fit your specific needs. To optimize your processing results, the FMD-3LR can be customized with a wide range of options for a wide range of applications. All Sweco® Finishing Mills were designed for ease of use and efficiency.

The FMD-3LR's center column was designed for a wider working radius to provide superior separation of the parts and to improve the unloading efficiency. The use of a direct drive system means reduced downtime because there are no belts, pulleys, or tensioners to replace; and the motion generator imparts greater energy directly through the media to the parts, assuring maximum amplitude and finishing power.

Only Sweco hot-pours and de-gasses their mills' polyurethane linings to eliminate bubbles and air pockets which can lead to premature lining failure. Most other linings contain dyes to hide these imperfections.

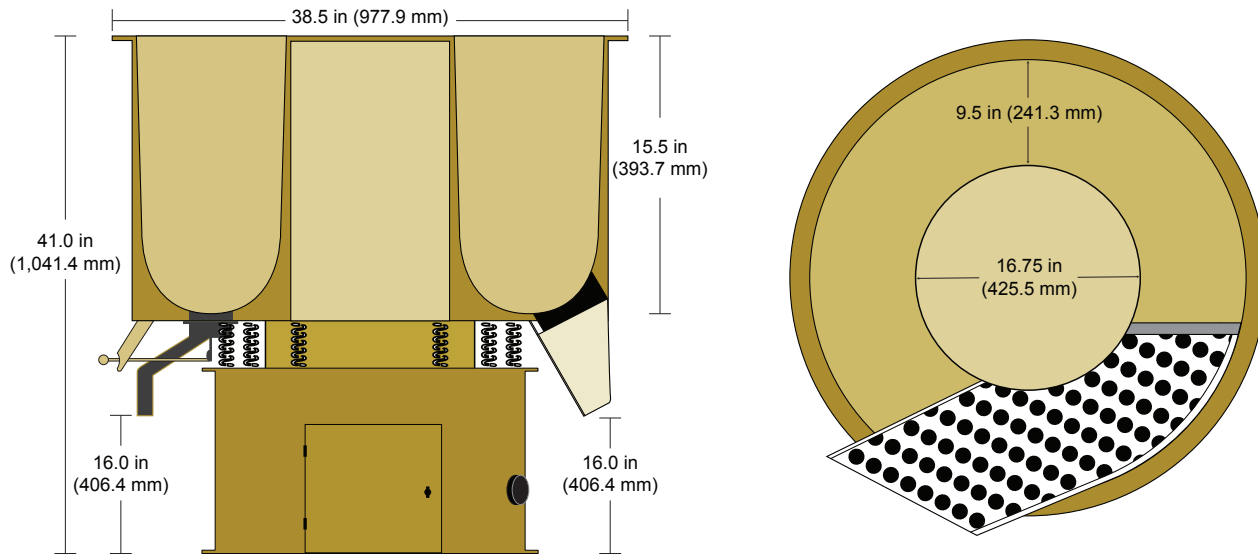
Sweco Internal Separating Mills are used for deburring, descaling, radiusing, polishing, burnishing, and fine finishing. Metal, plastic, ceramic, and elastomer parts are just a few of the applications that can be processed in a Sweco Finishing Mill.



We Put Technology In Motion™
www.sweco.com

**WE CAN TEST YOUR PRODUCT TO
ASSURE OPTIMAL PERFORMANCE**

More Standard Features and Custom Options to Meet Your Specific Requirements



- An optional extended unloading screen assures more efficient screening of difficult to separate parts and media.
- If media is larger than the parts, inverse separation is available.
- To prevent impingement and aid in media/parts separation, an optional magnetic separator can be supplied.
- An optional curved wall design produces superior roll, higher energy, and holds the parts in the mass for more efficient finishing.

Benefits of the Sweco FMD-3LR Finishing Mill

- Faster and easier unloading of media and parts
- Compact design ideal for cell manufacturing
- Easy cleaning and replacement of drain grids
- Reduced downtime
- Easier, faster maintenance
- Sweco linings last longer than conventional linings
- Direct drive means direct energy
- A longer radius increases working area
- Wide range of applications



We Put Technology In Motion™
e-mail: info@sweco.com

