

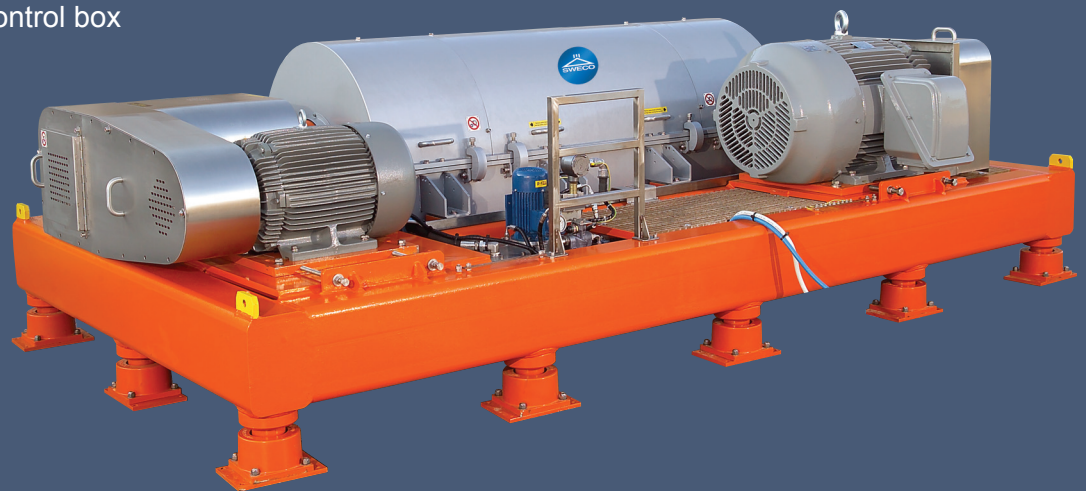
## CD500 & CD600 CENTRIFUGES

### HIGH PERFORMANCE DECANTING CENTRIFUGE

**T**he Sweco® CD500 & CD600 Decanting Centrifuges boast infinite speed adjustability of main bowl drive and backdrive (differential). Utilizing variable frequency drives on all motors allows low amperage start-ups and eliminates troublesome sheave changes. Stainless Steel wetted parts, tungsten carbide hard facing on bowl and scroll, as well as superior gearbox construction make the CD500 & CD600 durable and rugged centrifuges.

- High Volume – solids removal while processing up to 400+ GPM of feed (rated with water)
- Fully Variable Speed Main and Back Drive – allows maximum control of solids dryness and throughput
- Duplex A890 bowl & scroll with 304 stainless steel compartment and feed pipe are corrosion resistant and provide long service life
- Optional variable speed pump – A variable controller allows the operator to adjust the pump to a desired speed allowing feed rate to be adjusted to improve solids control efficiency
- Tungsten carbide tiled conveyor with improved feed zone minimizes chemical consumption and improves cake dryness
- Dynamically balanced to run at high speed for extended periods with greater efficiency, minimizing maintenance and downtime

The drive system is mounted in a control cabinet and consists of electrical variable speed controls for the main-drive, back-drive, positive displacement feed pump, bearing temperature, differential speed, and a digital hour meter readout. The control box houses all centrifuge's control functions with digital gauges located on the control box or remote mounted.



*We Put Technology in Motion™*

[www.sweco.com](http://www.sweco.com)

Sweco Headquarters, P.O. Box 1509, 8029 U.S. Highway 25, Florence, KY 41022-1509: +1 (859) 371.4360 Fax: +1(859) 283.8469  
Sweco Europe S.A., Rue de la Recherche, 8, Parc Industriel Sud-Zone I, B-1400 Nivelles, Belgium: +32.67.893434 Fax: +32.67.214368  
Sweco Asia, 63 Hillview Ave. #03-02, Lam Soon Industrial Building, Singapore 669569: +65.6762.1167 Fax: +65.6762.1313

# High Volume Dewatering Centrifuges!

## How It Works

The heart of a Sweco Centrifuge is its high-speed, precision-balanced rotating duplex steel bowl. Inside the bowl a screw conveyor rotates in the same direction as the bowl but at a slightly slower RPM. Feed slurry enters through a hollow feed chamber accelerated to speed and then distributed throughout the bowl.

Centrifugal force as high as 2,616 G's holds the slurry against the bowl wall in a "pool". Trapped particles settle and spread against the bowl wall where they are scraped and conveyed to the solids under-flow discharge ports by the tungsten carbide-tipped scroll flights. Particles exit damp, but with no free liquid through the hardened discharge ports. Coupled with a variable speed bowl and backdrive (differential) the Sweco CD600 centrifuge has the flexibility to adapt to almost any solids separation application and is ideal for high volume dewatering applications.

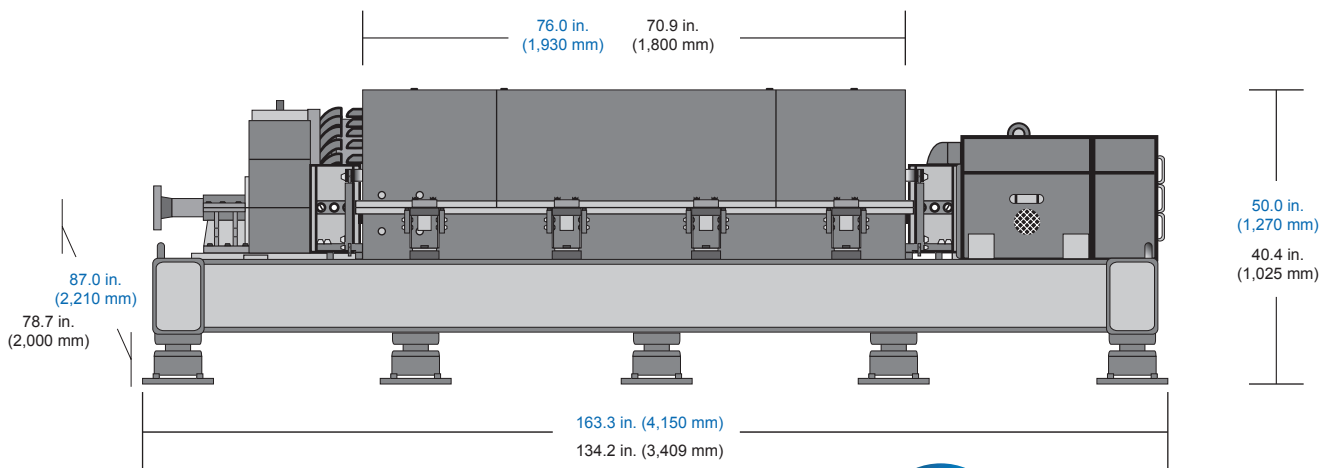
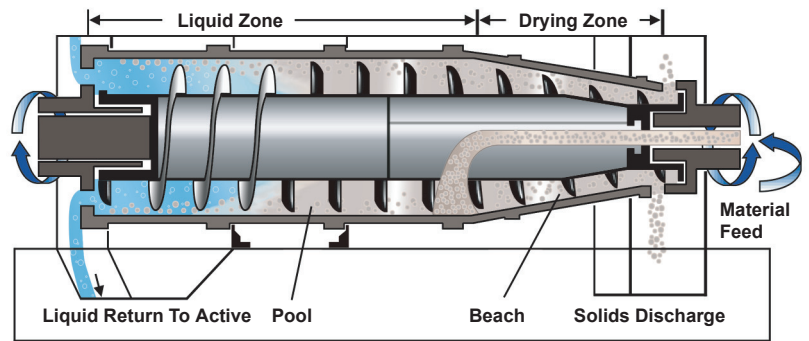
## Specifications

### CD500

Bowl Size	in (mm)	19.7 x 70.9 (500 x 1,800)
Length	in (mm)	134.2 (3,409)
Width	in (mm)	78.7 (2,000)
Height	in (mm)	40.4 (1,025)
Weight	lb (kg)	11,416 (4,859)
Drive hp	Main (Back)	60 (20)
Force	G's (RPM)	2,490 (3,000)

### CD600

Bowl Size	in (mm)	23.6 x 76.0 (598 x 1,930)
Length	in (mm)	163.3 (4,150)
Width	in (mm)	87.0 (2,210)
Height	in (mm)	50.0 (1,270)
Weight	lb (kg)	16,500 (7,484)
Drive hp	Main (Back)	125 (40)
Force	G's (RPM)	2,616 (2,800)



**We Put Technology In Motion™**  
 e-mail: [info@sweco.com](mailto:info@sweco.com)