

SWECO®

AVALANCHE/FLO-THRU SEPARATOR

DISCHARGE CAPACITY 10X THAT OF CONVENTIONAL SEPARATOR

For maximum capacity in a round separator, choose the Sweco Avalanche/Flo-Thru.

Designed to handle large volumes of both oversize and undersize fractions, the Avalanche/Flo-Thru provides up to 67% more active screen area than standard units. Discharge capacity is also increased to more than 10 times conventional round separators. Available in 48", 60" and 72" diameter sizes, the Avalanche/Flo-Thru benefits high capacity scalping and high efficiency dedusting applications. Custom engineered unit configurations can also be designed to suit users specific needs. The Avalanche is particularly beneficial in dry applications requiring high capacity scalping (PVC, starch, flour) as well as high efficiency dedusting (EPS beads, dry chemicals).

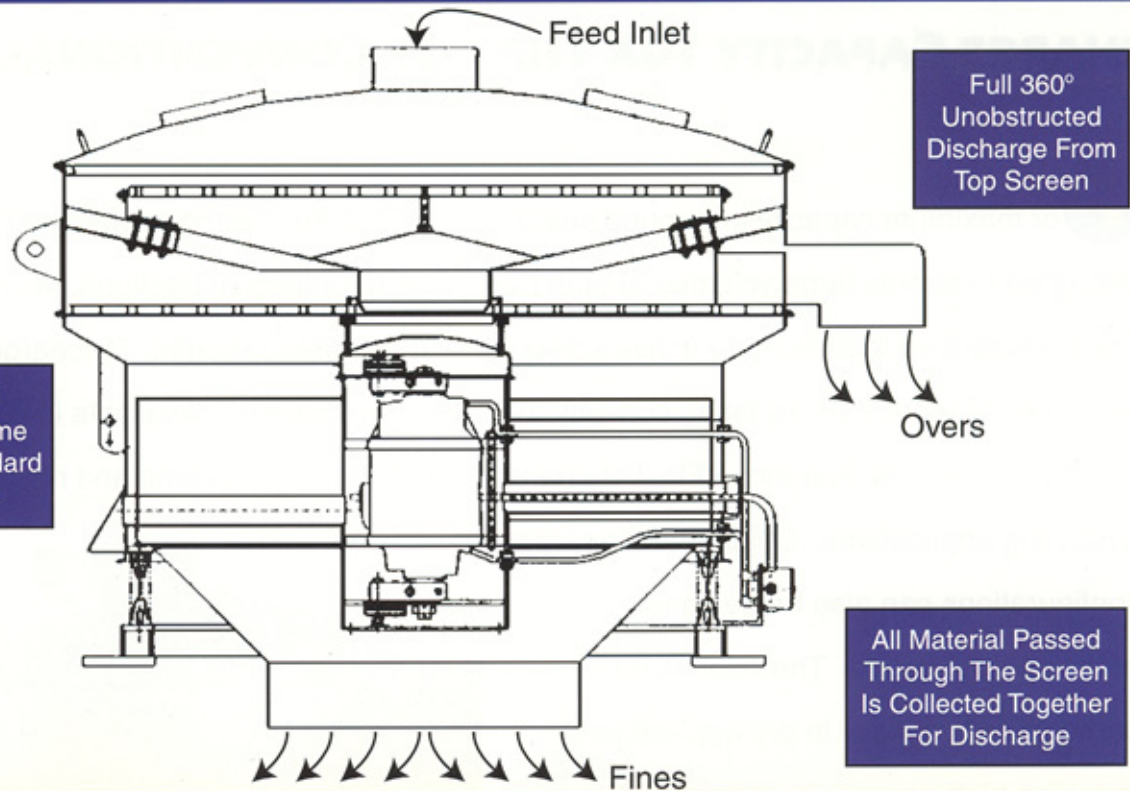


We Put Technology In Motion™
www.sweco.com

**Maximum Capacity Available
in a Round Separator**

Packaging - Processing
Bid on Equipment
1-847-854-8577
www.bid-on-equipment.com

Highest Capacity Round Separator In The Industry



Available in 48", 60" and 72" Diameter Sizes

Greater Capacity - Increased screen area gives a comparable capacity increase. You can get greater capacity from your separator with a smaller footprint than required with a traditional round separator.

High Efficiency - With a greater distance particles must travel before being discharged, particles have more screen surface exposure allowing greater yield to product.

Standard Accessories - Ball trays, sliders and self cleaning kits and screens can be used to reduce screen blinding. Standard motor, cover and spout connector options are available. the full line of Supertaut Plus screens are also available for use with the Avalanche/Flo-Thru.

OPTIONS

Patented QuickChange pneumatic screen changing system

Sono-Energy ultrasonic screen deblinding system for fine powders available

Frame only retrofit for existing Sweco and competitive round machines

Stack multiple Avalanche frames for scalping/dedusting or sizing applications