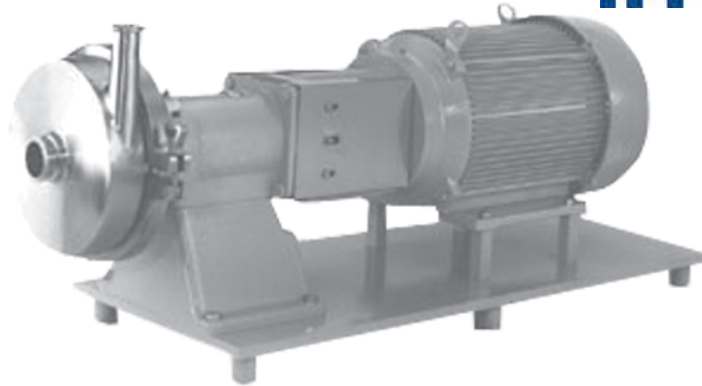




**Waukesha  
Cherry-Burrell**

® An SPX Process Equipment Operation

**High Pressure  
Centrifugal Pumps  
Models  
P2085HP and P2085HPLV**



## High Pressure Centrifugal Pumps Models P2085HP and P2085HPLV

### Features

- Manufactured for recirculating service in reverse osmosis and other membrane systems operating up to 1000 psi.
- Sanitary construction for food and dairy processing service.
- Strong cast iron bearing frames, that provide support for the pump independent of the motor.
- Coupling alignment is assured by motor flange adapter which ensures longer pump life by reducing coupling wear, bearing loads and improved shaft seal conditions.
- Large bearings with non-wearing labyrinth seals for longer life; low maintenance.
- Equipped with a balanced double shaft seal with buffer fluid ports on the top and bottom to permit complete removal of air/vapor from the seal chamber.
- Impeller is keyed and bolted to the large diameter stainless steel shaft. A balance drum is incorporated in the impeller to reduce axial shaft loads on thrust bearing.
- Mounted on heavy plate steel bases with adjustable sanitary legs.

### Specifications

Model P2085HP	
Inlet Size:	2-1/2"
Outlet Size:	2"
*Max. Head:	340 Ft. TDH
*Max. Flow	400 US GPM

\* Based on 3500 RPM

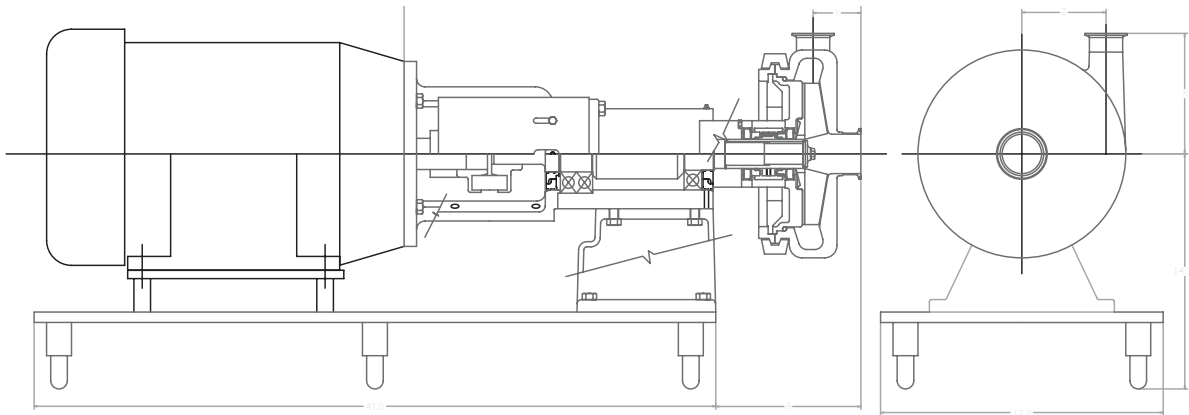
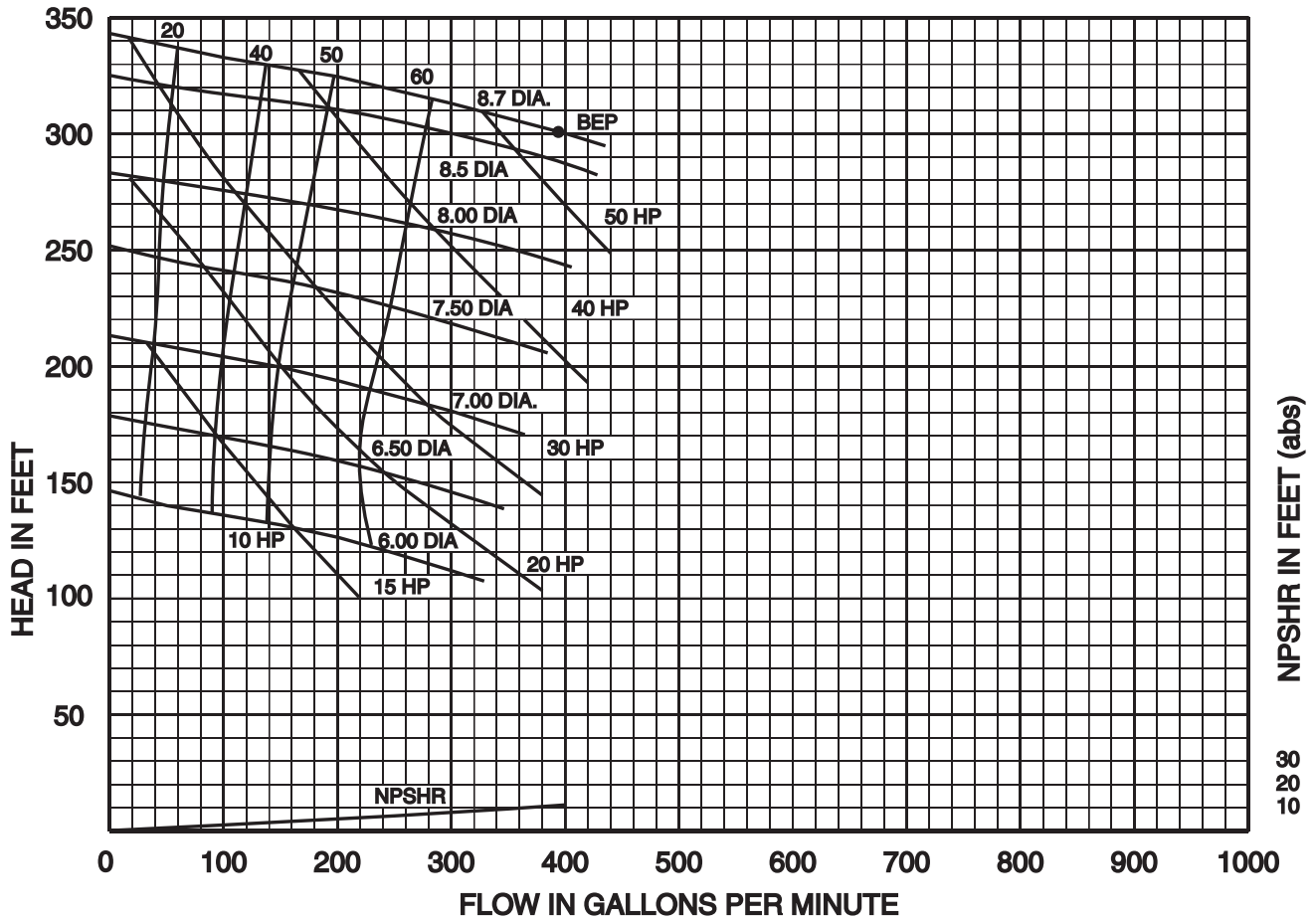
**Max. Discharge pressure:** 1000 psi  
**Seal:** Double Mechanical (Balanced)  
**Impeller Type:** Semi-Open (Balanced)  
**Inlet and Discharge Fittings:** As specified  
**Max. RPM:** 3500  
**Bearings:** Ball  
**Lubrication:** Grease  
**Coupling:** Wood's Type S  
**Driver:** NEMA C Frame Motors (standard)

Model P2085HPLV	
Inlet Size:	2"
Outlet Size:	1-1/2"
*Max. Head:	330 Ft. TDH
*Max Flow:	140 US GPM

\* Based on 3500 RPM

**Casing:** 17-4PH Stainless Steel (polished)  
**Impeller:** 316 Stainless Steel (polished)  
**Shaft:** 316 Stainless Steel  
**Gaskets/O-Rings:** FKM (Fluorocarbon)  
**Seal Face Product:** Silicon Carbide/Silicon Carbide (std.)  
**Seal Face Flush:** Carbon/PUREBIDE (std.)  
**Bearing Housing:** Cast Iron (epoxy paint)  
**Base:** Steel ( epoxy paint)

# MODEL B2085HP CAPACITY CURVES 2-1/2 X 2 3500 RPM



® An SPX Process Equipment Operation

611 Sugar Creek Road, Delavan, WI 53115 U.S.A

TEL: 1.800.252.5200 or 262.728.1900 FAX: 1.800.252.5012 or 262.728.4904

Email: [info@processequipment.spx.com](mailto:info@processequipment.spx.com) Web: [www.spxpe.com](http://www.spxpe.com)