

**LIGHTNING**

AN SPX BRAND

Packaging - Processing  
**Bid on Equipment**  
1-847-683-7720  
[www.bid-on-equipment.com](http://www.bid-on-equipment.com)

# Enhanced Classic Line ECL Fixed Mount Mixers



**SPX**®

# The Highest Performance, Quality Range of Fixed Mount Mixers

## LIGHTNIN ECL

The LIGHTNIN Classic Mixer has consistently evolved and improved through the years. These upgrades have provided our customers with improved mixer performance and enhanced process results. The Enhanced Classic Line (ECL) fixed mount mixer gives our customers an even stronger and more flexible product. Never before has there been a range of mixers offering so much quality and value.

### Open Tank Unit

Maintenance free operation. All shaft bearings are sealed for life. Gears are synthetic grease lubricated for continuous lifetime service.

A mixer duty motor with standard mounting allows for many speed and enclosure variations.

Aluminum housing designed for high strength and low weight.

Large output shaft bearings for longer allowable shaft lengths and long life.

Rigid coupling shaft attachment with pilot fit to ensure shaft concentricity and minimize shaft run out.

The A310 is designed to produce excellent flow and process results at less power than other axial flow impellers. Other impeller types available.

Motor handle for ease of installation.

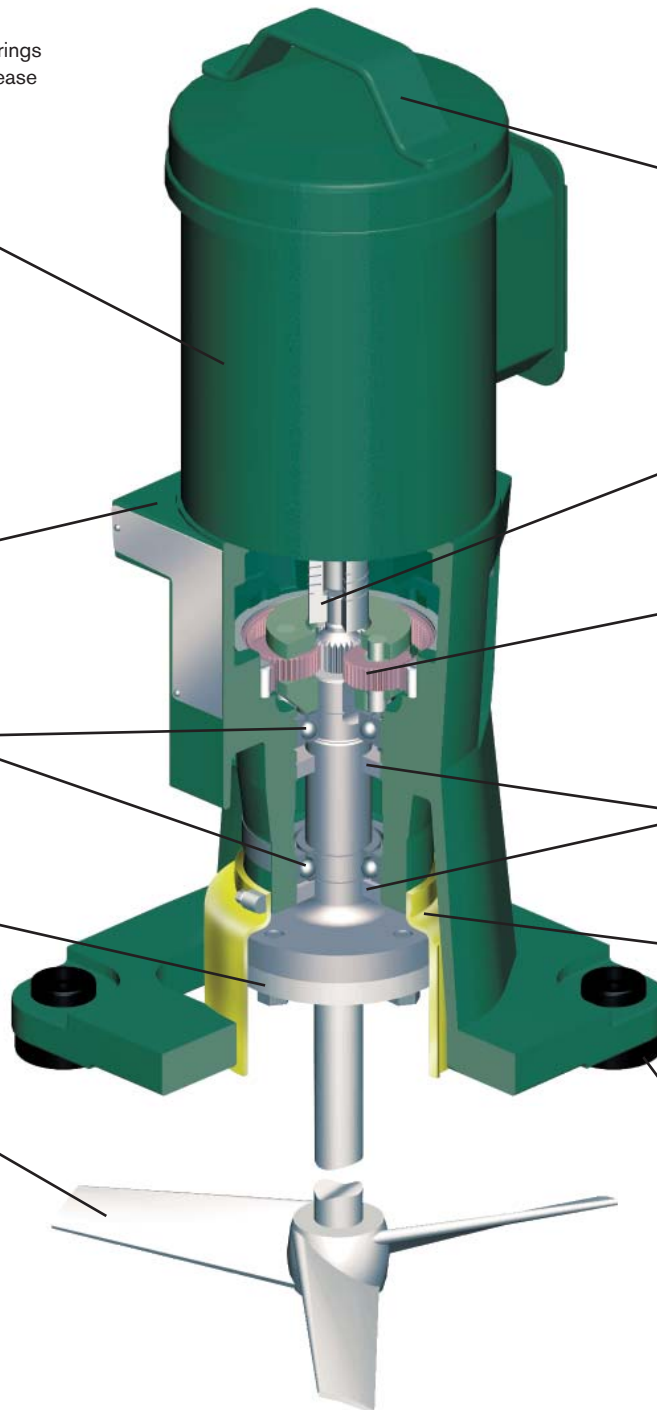
Unique motor coupling protects the gearing from shock torque loads and increases motor bearing life.

Two interchangeable planetary gear ratios provide more output speeds and increased process flexibility. Direct drive also available.

Multiple bearing seals prevent leakage of lubricant.

OSHA approved coupling guard.

Isolation Mounts protect drive against high fluid forces.



## ECL Motor Options

- **Electric Motors**

A variety of enclosures, single or three phase, multiple voltage, and severe duty options are also available.

- **Air Motors**

Variable speed air motors are safe for explosive environments. They are supplied with a built-in speed adjustment, air control valve and an option for non-lubricated vanes. Options include air filters, lubricators, and pressure regulators.



## ECL Options

- Remote Tachometer provides a LCD display of mixer output speed. A 4 to 20 ma output signal is available for process control. Unit is UL Approved for hazardous locations.



- Variable speed control - A variety of voltage and NEMA enclosure options are available. Units can be mounted locally or remote.
- Angle riser available on open tank units for off-center positioning of mixer.
- Closed tank flange options - Solid alloy, 300 lb., oversized, and sanitary.



## Impeller Options

LIGHTNIN is the world leader of impeller development. Using the latest computerized technology, LIGHTNIN has produced a unique range of impellers dedicated to improving your specific process performance.

Although the A310 is standard on ECL fixed mount mixers, there are many other impellers to satisfy your mixing requirements. Your LIGHTNIN Sales Engineer will review your application and recommend the proper impeller.



**Folding Impeller**



**R500**



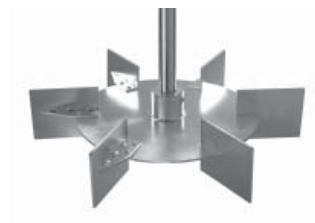
**A100**



**A310-A510**

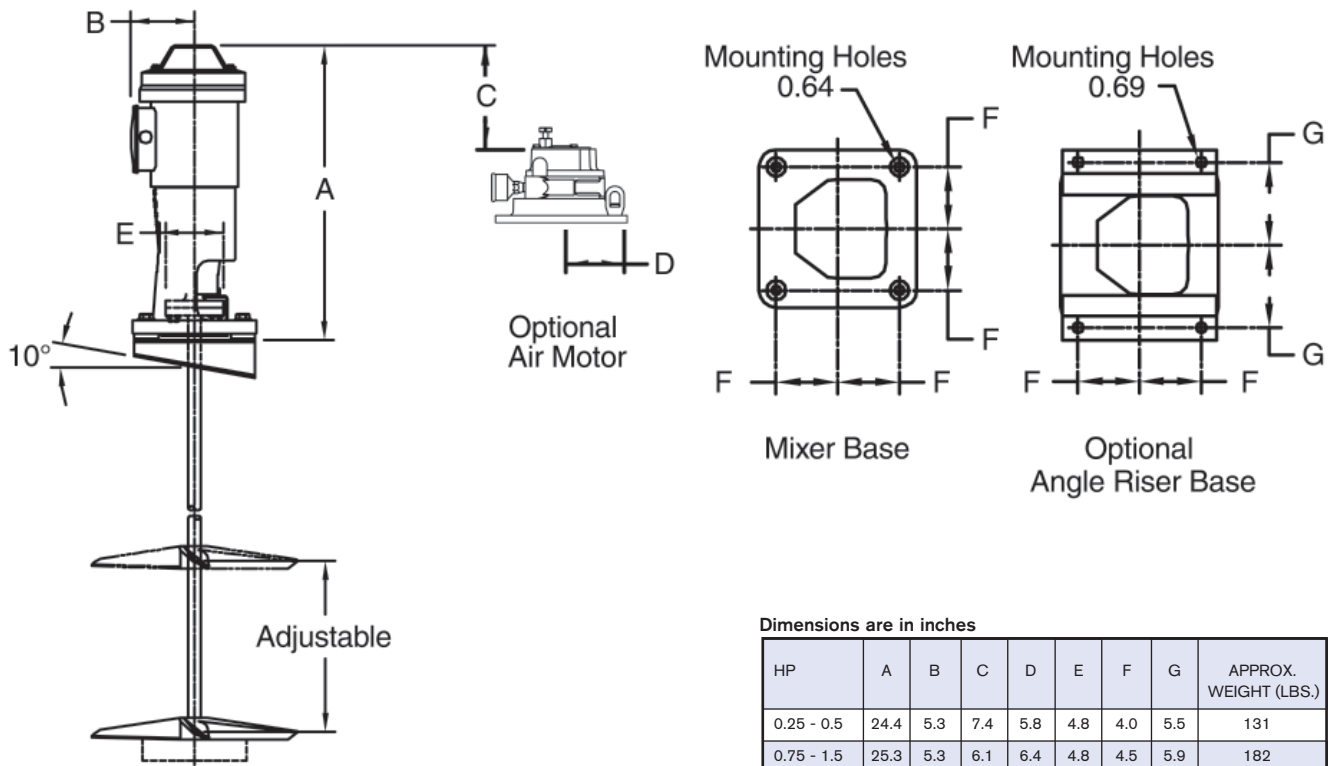


**A320**



**R100**

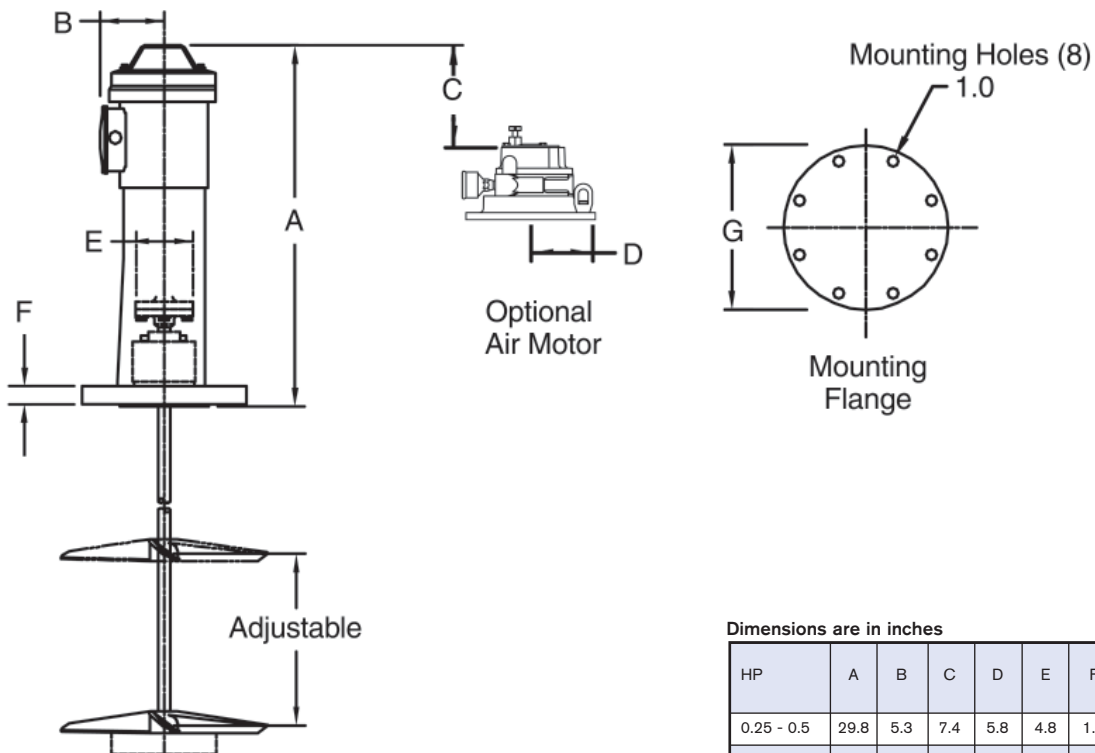
## Open Tank ECL Gear and Direct Drive



Dimensions are in inches

| HP         | A    | B   | C   | D   | E   | F   | G   | APPROX. WEIGHT (LBS.) |
|------------|------|-----|-----|-----|-----|-----|-----|-----------------------|
| 0.25 - 0.5 | 24.4 | 5.3 | 7.4 | 5.8 | 4.8 | 4.0 | 5.5 | 131                   |
| 0.75 - 1.5 | 25.3 | 5.3 | 6.1 | 6.4 | 4.8 | 4.5 | 5.9 | 182                   |
| 2 - 5      | 26.2 | 5.3 | 5.9 | 7.0 | 4.8 | 5.5 | 7.6 | 266                   |

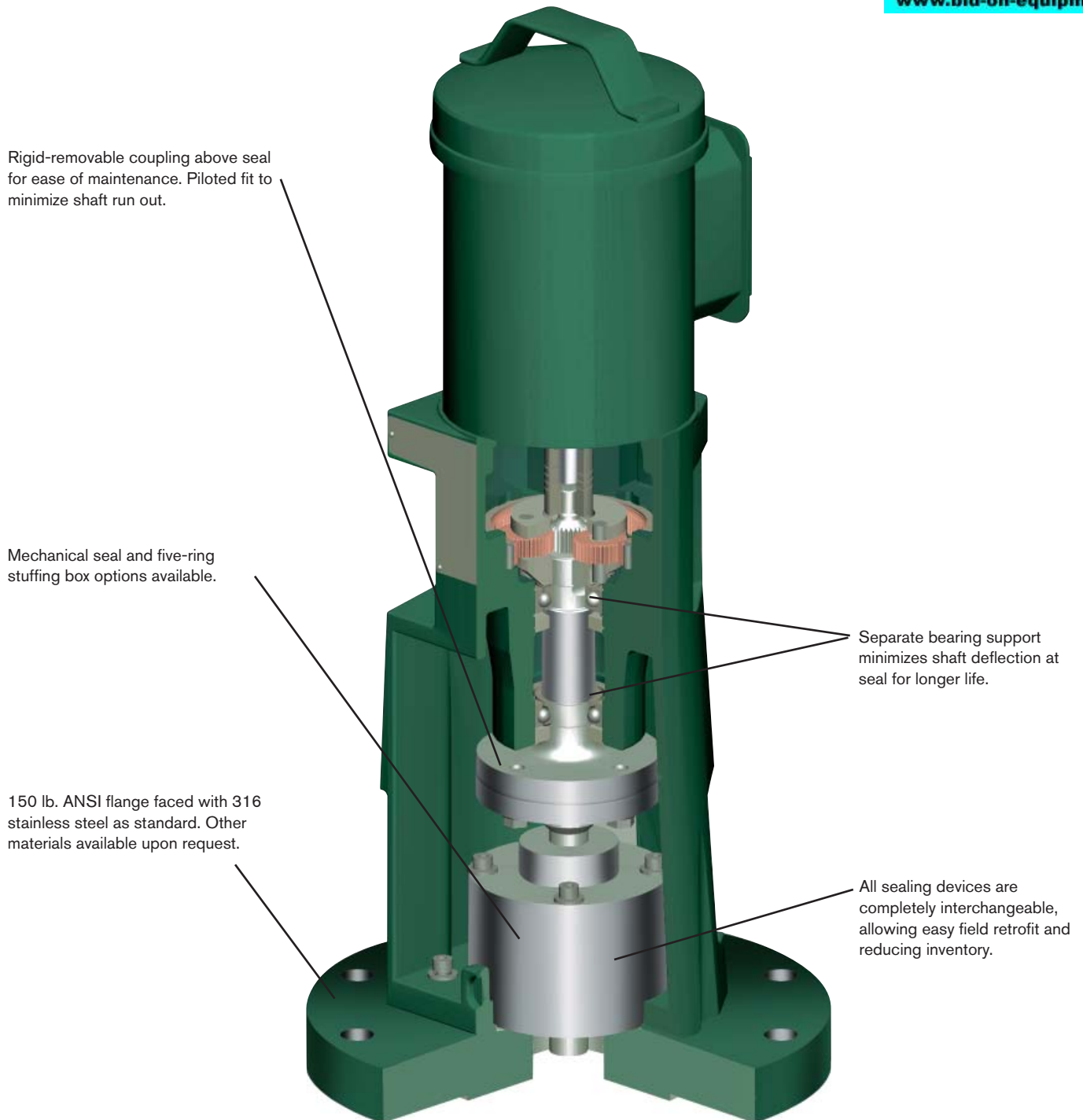
## Closed Tank ECL Gear and Direct Drive



Dimensions are in inches

| HP         | A    | B   | C   | D   | E   | F   | G  | APPROX. WEIGHT (LBS.) |
|------------|------|-----|-----|-----|-----|-----|----|-----------------------|
| 0.25 - 0.5 | 29.8 | 5.3 | 7.4 | 5.8 | 4.8 | 1.7 | 11 | 183                   |
| 0.75 - 1.5 | 31.8 | 5.3 | 6.1 | 6.4 | 4.8 | 1.7 | 11 | 234                   |
| 2 - 5      | 32.8 | 5.3 | 5.9 | 7.0 | 4.8 | 1.7 | 11 | 318                   |

## Closed Tank Unit

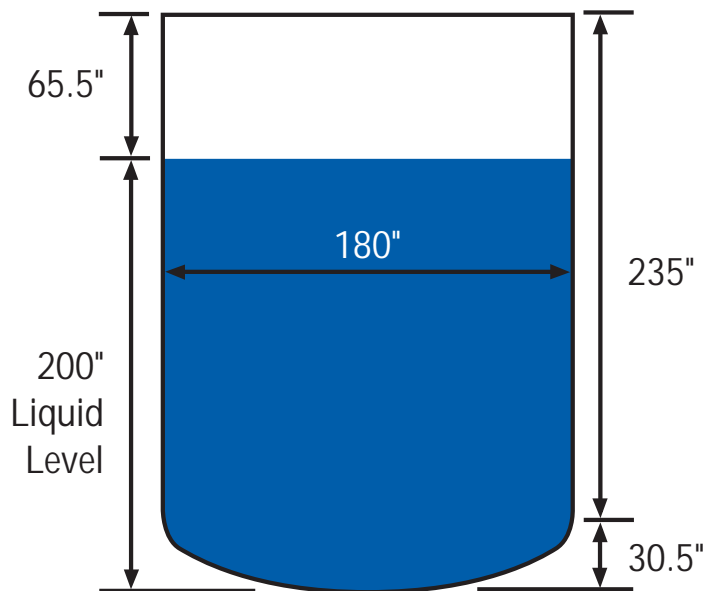


### Sealing Options

- **Packing**  
Lubricated, non-lubricated or food grade
- **Single Seal**  
Dry running, lubricated or sanitary
- **Double Seal**  
Dry running, lubricated or gas lift-off
- **Seal Lubricators**  
Provide proper lubrication of seal faces
- **Seal Removal Pedestal**  
Optional on 2-5 HP units to allow seal removal with mixer in-place



## Tank Volume Calculator



### Tank Details:

|                      |             |
|----------------------|-------------|
| Tank Type:           | Cylindrical |
| Overall Tank Height: | 265.4"      |
| Tank Diameter:       | 180"        |
| Straight Size:       | 235"        |
| Liquid Level:        | 200"        |
| Top Style:           | Flat        |
| Bottom Style:        | ASME        |

### Volume Results:

3734 Ft<sup>3</sup>  
 105.7 m<sup>3</sup>  
 27938.9 gal  
 105755.1 liters

### Liquid Volume Results:

2769.8 Ft<sup>3</sup>  
 78.4 m<sup>3</sup>  
 20724.7 gal  
 78447.5 liters

## LIGHTNIN Aftermarket Services

### Fastest Route to Uptime

**Expertise:** Experienced technicians are the backbone of our dedicated service organization. They're uniquely qualified to keep your LIGHTNIN mixers running right.

**LIGHTNIN Certified Technicians:** Aftermarket technicians are certified via training courses to ensure that the work they do meets the highest standards for consistency and reliability.

**Genuine LIGHTNIN Parts:** All repairs follow original design specs and use only factory-authorized replacement parts.

**Full LIGHTNIN Factory Warranty:** We're so confident we'll do the job right that all authorized repair and service work is covered by a full factory warranty.

- Factory Service Program
- Exchange Program = Minimal Downtime
- Quick Turnaround

## Call the LIGHTNIN Experts

For more information about the LIGHTNIN ECL or to discuss your application, contact your local SPX Process Equipment Sales Representative. Or visit our website at [www.spxpe.com](http://www.spxpe.com). Or call 1-888-MIX-BEST (U.S. and Canada)

**SPX**®

**PROCESS EQUIPMENT**

SPX Process Equipment, LIGHTNIN Operation  
 135 Mt. Read Blvd., Rochester, NY 14611  
 Phone: (888) 649-2378 (MIX-BEST), (U.S. and Canada) or +1 (585) 436-5550  
 E-mail: [LIGHTNIN@spx.com](mailto:LIGHTNIN@spx.com)

For more information about our worldwide locations, approvals, certifications, and local representatives, please visit [www.spxpe.com](http://www.spxpe.com).

SPX Corporation reserves the right to incorporate our latest design and material changes without notice or obligation. Design features, materials of construction and dimensional data, as described in this bulletin, are provided for your information only and should not be relied upon unless confirmed in writing.