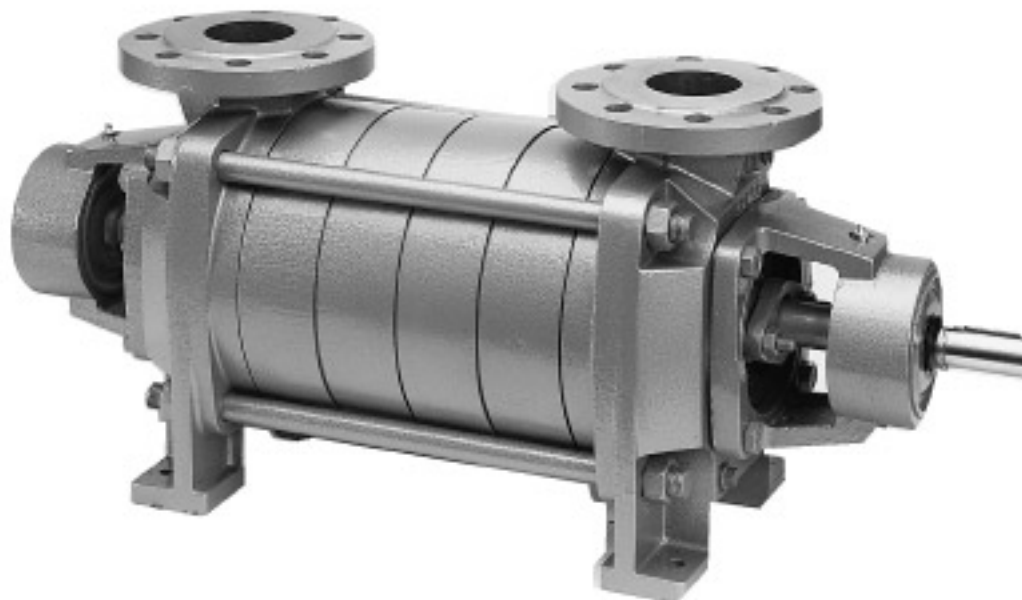


MCH, MCHW, MCHS

Horizontal multistage pump



System characteristics

The MCH family, a range of horizontal high pressure multistage pumps, has a high interchangeability in parts to other Johnson pumps, like MCV and MCHZ. There are seven different sizes, each built up with one or more stages.

Applications

The MCH pump family is suitable for handling clean or slightly contaminated liquids for instance well water, hot water, various coolants, condensed water, brine lye, sea water, petrol, kerosene, and petroleum.

For e.g. booster installations, hot water circulating systems, airconditioning systems, cooling for stationary and marine installations, industry, waterworks, agriculture and horticulture, spraying installations and ship-building. As a general service and transport pump for feed installations in the industry, industries in general, road building and hydraulic engineering.

Pump specifics

- Suitable for a wide span of duties
- Large hydraulic field of application
- Suitable for various liquids
- All types of the MCH family are fitted with closed impellers
- High interchangeability in spare parts between different sizes, thus limiting spare parts stock levels
- Also available in vertical position (MCV)
- Also available in self-priming execution (MCHZ)

Technical data

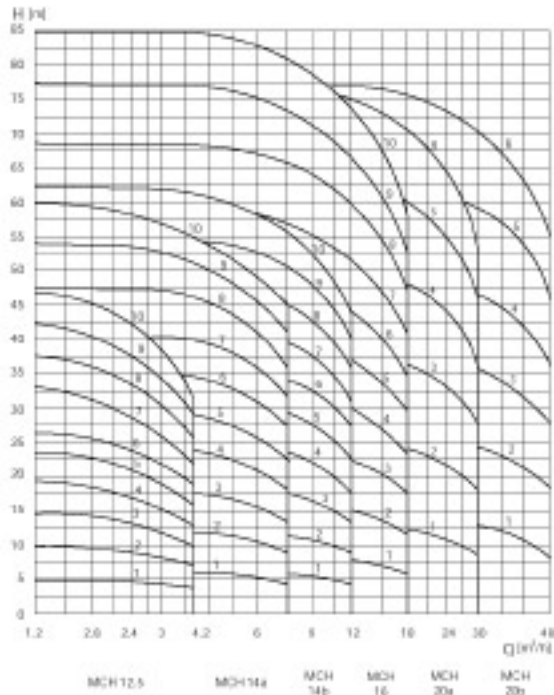
Type MCH:	Stuffing box packing Temperature -15°C – +105°C
Type MCHS:	Mechanical seal Temperature -20°C – +120°C
Type MCHW:	Water cooled stuffing box Temperature -15°C – +150°C
Maximum capacity:	100 m ³ /h
Maximum delivery head:	340 m
Maximum operating pressure:	40 - 3 x inlet pressure bar (4000 - 3 x inlet pressure kPa) <i>depending on pump size/materials</i>
Maximum allowable inlet pressure:	10 bar (1000 kPa)

Materials

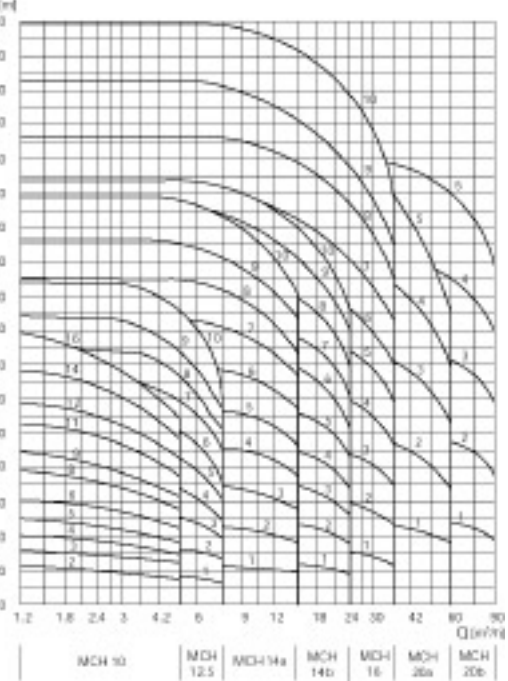
Casing parts	Cast iron	Bronze
Impeller	Cast iron	Bronze
Pump shaft	Steel alloy	

Performance data

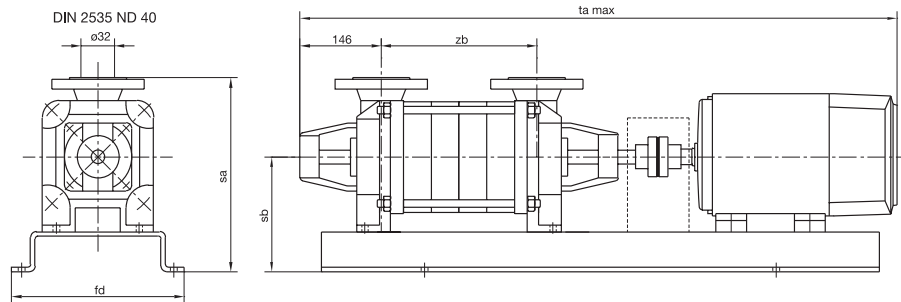
$N_{nom} = 1500 \text{ rpm}$



$N_{nom} = 3000 \text{ rpm}$



Dimensions



MCH, MCHW, MCHS	IEC-motor	fd	sa	sb	zb	ta max.
12,5 x 1	71	15	267	142	169	755
	80	15	267	142	169	787
	63	15	267	142	169	724
12,5 x 2	71	15	267	142	169	752
	90S	15	277	152	169	812
	90L	15	277	152	169	837
	71	15	277	152	214	797
12,5 x 3	90S	15	277	152	214	857
	90L	15	277	152	214	882
	100L	19	277	152	214	927
	71	15	277	152	259	842
	80	15	277	152	259	877
12,5 x 4	90L	19	277	152	259	927
	100L	19	277	152	259	972
	112M	19	277	152	259	992
	71	19	277	152	304	887
	80	19	277	152	304	922
12,5 x 5	100L	19	287	163	304	1017
	112M	19	287	163	304	1037
	132S	19	307	182	304	1108
	71	19	277	152	349	932

MCH, MCHW, MCHS	IEC-motor	fd	sa	sb	zb	ta max.
12,5 x 6	80	19	277	152	349	967
	112M	19	287	162	349	1082
	132S	19	320	195	349	1153
	80	19	287	162	394	1012
12,5 x 7	90S	19	287	162	394	1037
	112M	19	300	175	394	1127
	132S	19	320	195	394	1198
	80	19	287	162	439	1022
12,5 x 8	90S	19	300	175	439	1082
	132S	19	327	202	439	1243
	80	19	300	175	484	1102
12,5 x 9	90S	19	300	175	484	1127
	132S	19	327	202	484	1288
	80	19	300	175	529	1147
12,5 x 10	90S	19	307	182	529	1172
	132S	19	327	202	529	1333



Johnson Pump B.V.

