



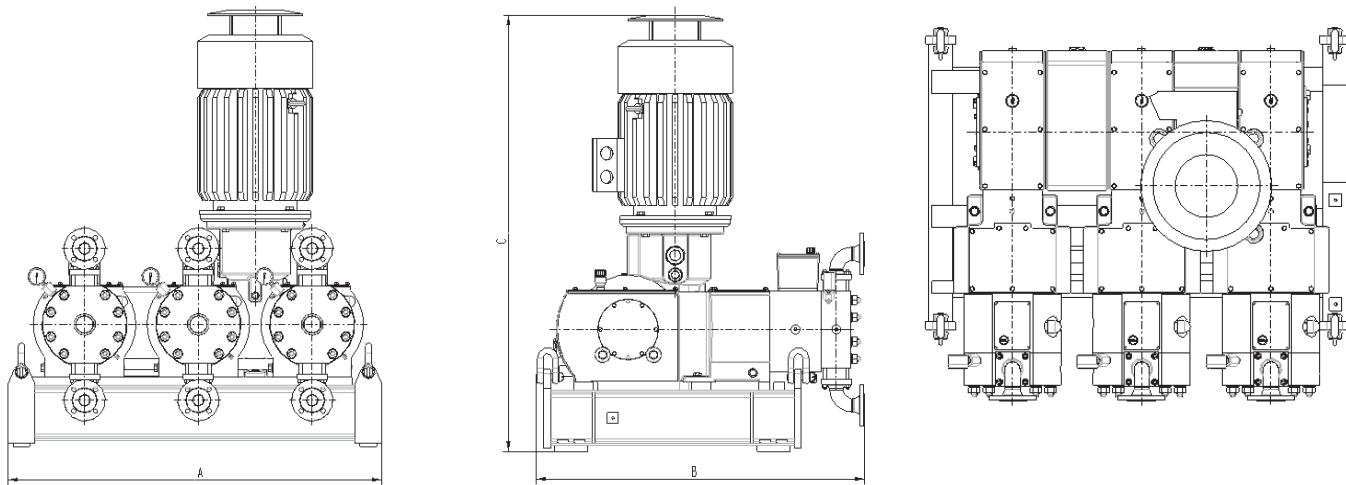
NOVAPLEX Integral Process Diaphragm Pumps

The NOVAPLEX Integral combines the reliability of the Bran+Luebbe diaphragm technology with a compact design due to an integrated reduction gear. This allows the use of a process diaphragm pump for applications where a small foot print is required. An interface for the NOVALINK CSM on-line diagnosis system is integrated.

- **Maximum capacity: up to 245 GPM**
- **Maximum operating pressure: up to 5800 psi with PTFE diaphragm up to 15,000 psi with metal diaphragm**
- High reliability with proven Bran+Luebbe diaphragm pump technology with patented Positive Diaphragm Position Control (PDPC).
- Small foot print due to compact design.
- Integrated Bran+Luebbe reduction gear with standard components.
- Low noise due to utilization of 4-pole or 6-pole motors.
- Flow rate adjustment by variable speed drive.
- Integrated interface for NOVALINK CSM online diagnosis system.

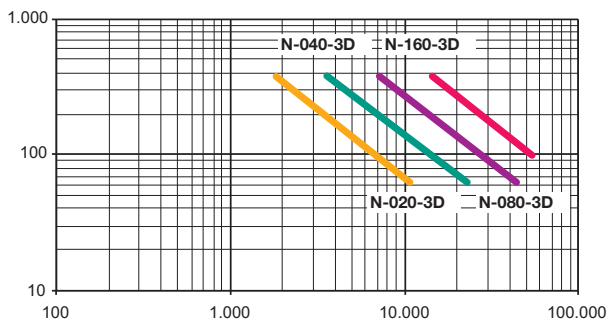


Layout and Dimensions



	Length (A)* inches	Width (B)* inches	Height (C)* inches	Approx. Weight lb.	Oil Capacity Gallons	Max. Electric Power HP
N-020-3D	53"	46"	62"	3960	12	15 - 30
N-040-3D	66"	61"	88.6"	11,000	23	30 - 75
N-080-3D	90.5"	75.6"	98.4"	22,000	40	50 - 125
N-160-3D	104.3"	84.2"	116.1"	26,000	61	75 - 200

** (Dimensions are approximate)



Flow Rate for NOVAPLEX Integral with PTFE Diaphragm*	Type	Pressure (psi)	Max. flow rate (GPM)*
N-020-3D	360 - 5800	7.5 - 117	
N-040-3D	915 - 5800	16.1 - 101	
N-080-3D	915 - 5800	31.1 - 195	
N-160-3D	1500 - 5800	62 - 245	

SPX®

PROCESS EQUIPMENT

Your local contact:



SPX Process Equipment, Bran+Luebbe Operation
 611 Sugar Creek Road, Delavan, WI 53115
 Phone: (800) 252-5200 or (262) 728-1900, Fax: (262) 728-4904
 E-mail: bl@spx.com

For more information about our worldwide locations, approvals, certifications, and local representatives, please visit www.spxpe.com.

SPX Corporation reserves the right to incorporate our latest design and material changes without notice or obligation. Design features, materials of construction and dimensional data, as described in this bulletin, are provided for your information only and should not be relied upon unless confirmed in writing.