

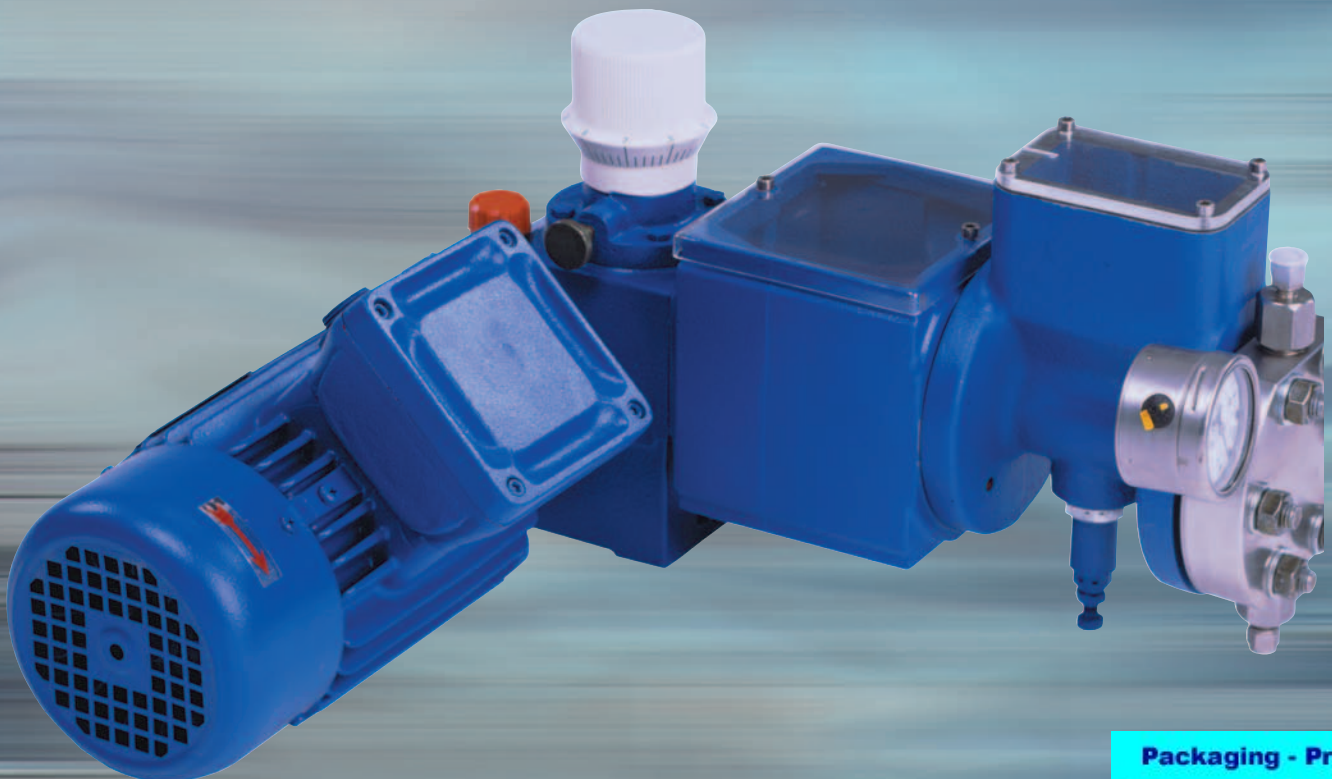
- Flow rates up to 190 gph
- Pressure up to 7,250 psi

Options

- Diaphragm pumpheads with hydraulically actuated double diaphragm and patented diaphragm position control system (PDPC)
- Plunger pumpheads

Combinable with all gear sizes of
Bran+Luebbe's horizontal NOVADOS range

NOVADOS P Metering Pumps



General Specifications

Materials of construction of liquid-wetted parts

- Housing of stainless steel, 316 or duplex, alternatively, PVC or PP.
- Diaphragms of PTFE or stainless steel 1.4310.
- Plungers of stainless steel, ceramic or tungsten carbide.
- Options: Materials such as Super Duplex, Hastelloy, Titanium, Halar® coating or PVDF, and others available.

Pump Gear Design

- Worm gear with five different reduction ratios.
- Splash lubricated gear components.
- Large oil sump.
- No external oil pump.
- Suitable for variable speed.

Stroke Length Adjustment

- Eccentric (Z-shape) variable crankshaft.

Flow Rate Control

- Manually, electrically, or pneumatically during operation and standstill.

Driver

- 2- or 4-pole electric motor with fixed or variable speed.

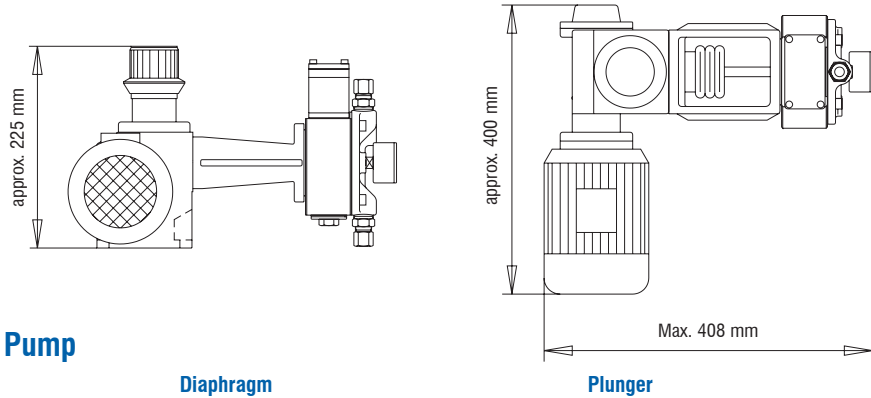
Applicable Standards

- VDMA 24284 and 24286-10.
- API 675 2nd edition.

CE-Marking

- 98/37/EC (Machinery Directive).
- 94/9/EC (ATEX) up to category 2.

Weight, according to equipment (without motor) approx. 42 - 235 lbs.



Flow Rate and Pressure for Single Pump

Pumphead Type

Material of displacement body		PTFE	St. Steel	TC, Ceramic or St. Steel	
Housing Material		St. Steel / Plastic	St. Steel	St. Steel or Plastic	
Flow rate at 204 spm	Plunger Size	Max. Operating Pressure		Nozzle Size	
gph	ø mm	psig			
0... 0.45	3	-	-	7,250	1/2"
0... 1.24	5	1,500	7,250	7,250	1/2"
0... 3.19	8	3,625	4,322	4,322	1/2"
0... 7.17	12	1,930	1,930	1,930	1/2"
0... 19.91	20	696	696	696	1/2"
0... 44.8	30	305	305	305	1/2"
0... 87.8	42	159	159	159	1/2"
0... 124.5	50	116	-	116	1"
0... 156.1	56	87	-	87	1"
0... 191.3	62	73	-	73	1"

1) Max. operating pressure of actual pumps may deviate from figures stated. Pumps with housing material of plastic are generally limited to max. 150 psig operating pressure.

- Flow rates at 98% volumetric efficiency. Please allow for transmission losses.
- Metering accuracy: as good as $\pm 0.5\%$ of flow rate set point.
- Selectable stroking speeds: (60 Hz): 40, 60, 86, 102, 120, 153, 172, 204 spm (min^{-1}).

For more information about our worldwide locations, approvals, certifications, and local representatives, please visit our web site.

Web Site: www.spxprocessequipment.com • E-Mail: bl@processequipment.spx.com

SPX Process Equipment

Bran+Luebbe, 611 Sugar Creek Road, Delavan, WI 53115 Telephone: (800) 252-5200, (262) 728-1900 Fax: (262) 728-4904

SPX Process Equipment reserves the right to incorporate our latest design and material changes without notice or obligation.

Design features, materials of construction and dimensional data, as described in this bulletin, are provided for your information only and should not be relied upon unless confirmed in writing. Certified drawings are available upon request.

Issued: B-110-L-11/06

© 2006 SPX Process Equipment