

Airpel
FILTRATION

Packaging - Processing
Bid on Equipment
1-847-683-7720
www.bid-on-equipment.com

Complete Solutions for Liquid Filtration

Backflushing Strainer

Model BFS



Backflush strainers have been specifically designed for use in applications where an automatic cleaning strainer is required to ensure process continuity.

This comprehensive range of strainers have been designed for filtering water for applications such as nozzle protection, cooling, quenching, and descaling.

Standard size range 80mm (3") – 300mm (12"). Sizes over 300mm, up to 750mm can be made to order.

SPX Process Equipment

Airpel Filtration, Hambridge Road, Newbury, Berkshire, RG14 5TR Telephone +44 (0) 1635 263915 Facsimile +44 (0) 1635 36006
www.airpelfiltration.com Email enquiries.airpel@processequipment.spx.com

Backflushing Strainer

Model BFS

MAIN FEATURES

- Cast iron or stainless steel construction
- Stainless steel screen with replaceable mesh lining.
- Efficient cleaning action, with low liquid loss.
- Low power consumption.
- Filtration level down to 45 micron.
- Adjustable backflush valve to reduce water loss.
- IP65 automation.

OPERATION

Fluid flows from the inside of the screen to the outside. Differential pressure increases as debris is collected on the inside surface. This initiates the cleaning cycle that consists of the collector arm rotating and backflush valve opening. This cleaning action causes a localised reversal of flow, removing debris from the screen and discharging it through the valve.

PLEASE NOTE

1. Working pressure is stated at 50°C. To verify suitability of this equipment above this temperature or below 0°C, please contact our Technical Sales Team.
2. Whilst alternative seal materials e.g. EP, PTFE are available and can be used to offer a wide range of chemical compatibility and working temperatures up to 260°C, it is recommended that such applications are again discussed with our Technical Sales Team.

MATERIAL SPECIFICATIONS

Body Material	Cast Iron BS 1452 GN 260	Stainless Steel 316L
Design Pressure	13.8 bar g (200 psi g) @ 38°C	10 bar g (150 psi g) @ 38°C
Design Code	Commercial Standard	Commercial Standard
Test Pressure	20.7 bar g (300 psi g)	15 bar g (225 psi g)
Flanges	ASME B16.1 Class 125FF	BS4504 PN10

PLEASE NOTE – Standard units for higher working pressures are available. A minimum line pressure of approximately 1.7 bar g (25 psi g) at inlet to strainer is required to ensure efficient cleaning of the filtration screen. If such pressure is not available, consult the Technical Sales Team for alternative models.

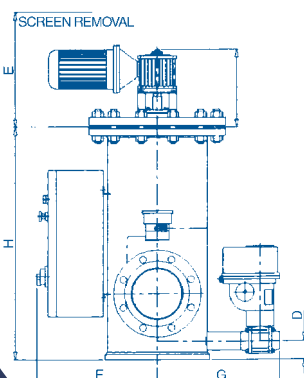
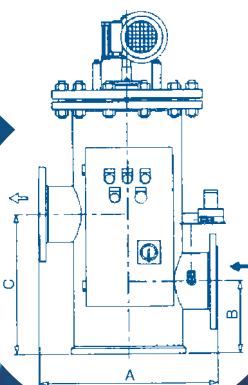
CAST IRON (sizes in mm)

Pipe Size	Flow IGPM	A	B	C	D	E	F	G	H	J	Screen Area cm ²	Backwash Valve
100	350	470	230	400	110	750	390	440	638	306	1130	50
150	750	530	250	455	110	950	420	475	795	306	1940	50
200	1200	610	633	913	135	870	440	440	1368	324	2970	50
250	1800	700	670	1000	105	100	480	500	1477	324	4480	65

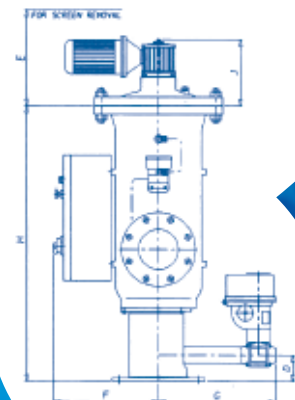
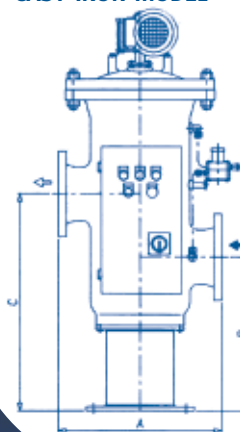
STAINLESS STEEL (sizes in mm)

Pipe Size	Flow IGPM	A	B	C	D	E	F	G	H	Screen Area cm ²	Backwash Valve
80	170	470	165	330	60	475	490	435	462	175	50
100	350	470	180	350	60	600	400	415	588	300	50
150	750	530	215	420	60	710	430	440	760	460	50
200	1200	610	280	560	60	870	443	455	1015	695	50
250	1800	700	350	680	104	930	468	545	1157	905	65
300	2170	760	400	800	104	1000	493	600	1352	1180	65

STAINLESS STEEL MODEL



CAST IRON MODEL



Airpel Filtration, Hambridge Road, Newbury, Berkshire, RG14 5TR Telephone +44 (0) 1635 263915 Facsimile +44 (0) 1635 36006
 www.airpelfiltration.com Email enquiries.airpel@processequipment.spx.com

Our policy is one of continuous improvement and we reserve the right to alter any details of our products at any time without prior notice. Airpel Filtration is a division of SPX Process Equipment. All dimensions are for guidance only, please contact our Technical Sales Team for confirmation.