

# SOMERSET

Tel: 978.667.3355

800.772.4404

Fax: 978.671.9466

Email: [somerset@smrset.com](mailto:somerset@smrset.com)

[www.smrset.com](http://www.smrset.com)



## Heavy Duty Sheeters For Rolling Cake Fondant – In Seconds

Ideal for Cake Fondant,  
Sugar Icing & Sugarpaste

Take the hard work and intensive  
labor out of covering cakes with  
the **WIDEST SHEETER** available.

### Highlights:

- Greatly reduces labor costs and increases profits.
- Increases production of rolled fondant cakes; resulting in higher cake revenues.
- Uniform thickness makes rolled fondant cakes more palatable for your customers.
- Roll fondant up to 30" wide in a matter of seconds.
- Eliminates hand rolling of fondant.
- Keep up with modern and latest cake decorating trends.

Safe, quick and easy operation.

**CDR-500F**

Create sheets up to  
**20" (51cm) wide!**

**CDR-600F**

Create sheets up to  
**30" (76 cm) wide!**



Packaging - Processing  
**Bid on Equipment**  
1-847-683-7720  
[www.bid-on-equipment.com](http://www.bid-on-equipment.com)

May also be used for  
pastry production.

## Features

- Synthetic rollers eliminate dough build up
- Safety sensors for automatic shutoff
- Compact design, ideal for use in limited space
- Sanitary, heavy duty, all stainless steel welded construction
- Spring loaded scrapers; easy removal for easy cleaning
- Simple handle adjustments for exact, uniform dough thickness
- Ergonomic design makes it easy and simple to operate
- Drive mechanism isolated from roller area
- Safe, simple, easy to operate, easy to clean

## Specifications

**Scrapers:** Synthetic, spring loaded, removable

**Rollers:** Synthetic, non-sticking

**Bearings:** Sealed ball bearings

**Gear Motor:** Heavy duty 3/4 HP, 1 phase  
115v/60Hz or 220v/50Hz

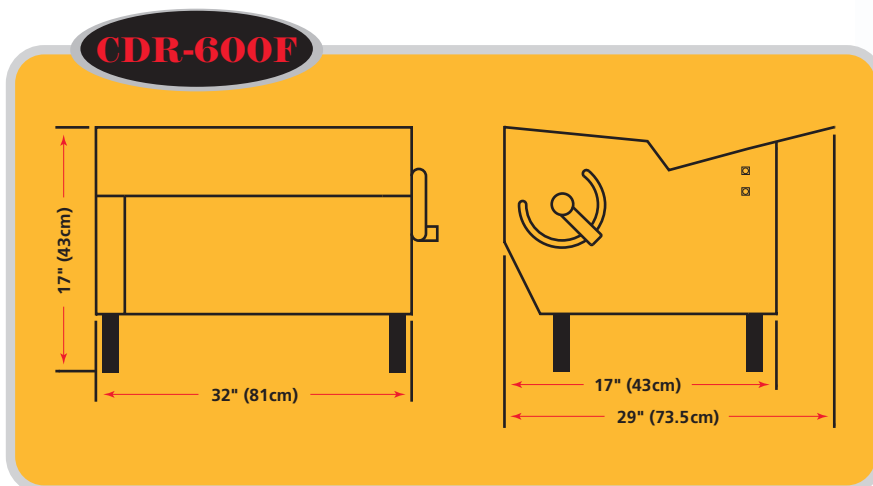
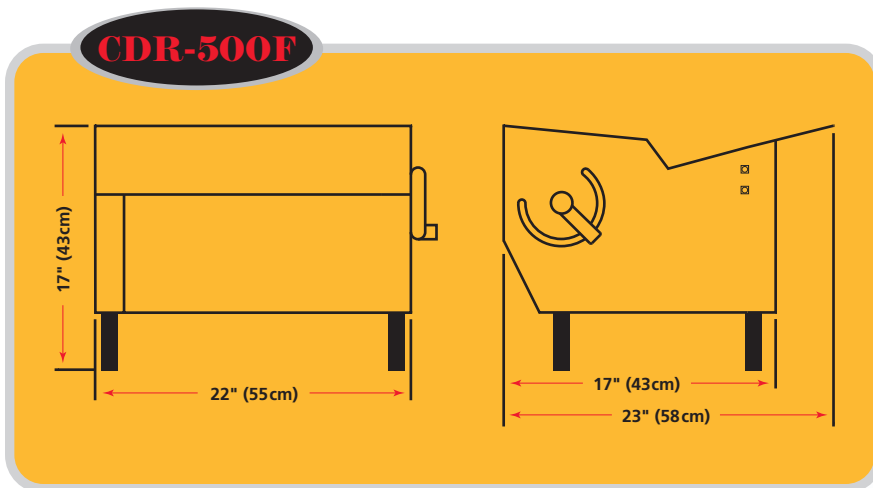
**Finishing:** All stainless steel

**Legs:** 4" adjustable

**Discharge:** Large all stainless steel tray

Packaging - Processing  
**Bid on Equipment**  
1-847-683-7720  
[www.bid-on-equipment.com](http://www.bid-on-equipment.com)

## Dimensions



**Rollers:** 3.5" (9cm) diameter  
by 20" (51cm) length

**Shipping Weight:** 150 lbs



**Rollers:** 3.5" (9cm) diameter  
by 30" (76 cm) length

**Shipping Weight:** 180 lbs