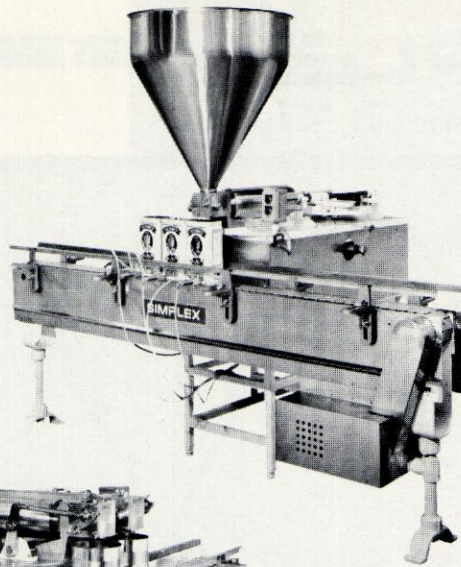
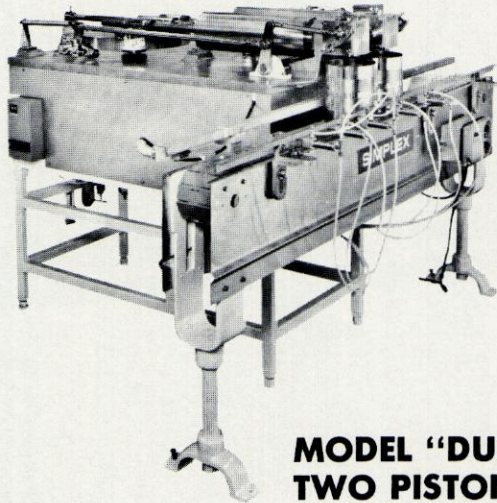


**SINGLE PISTON  
GALLON FILLER  
MODEL "F"**



**MODEL "F"**



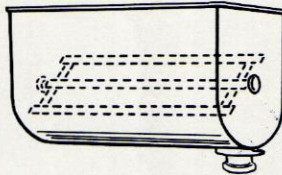
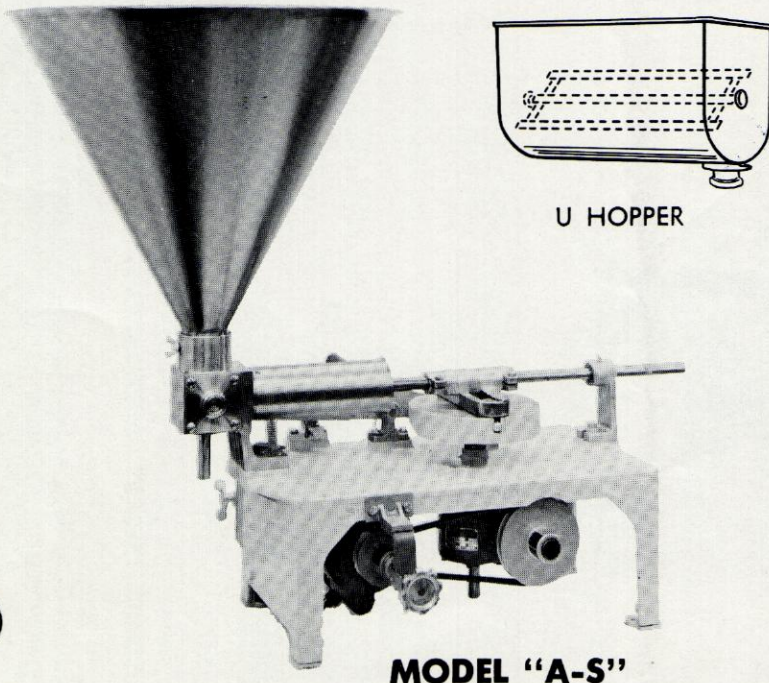
**MODEL "DUAL F"  
TWO PISTON FILLER**

# SIMPLEX

These reliable piston fillers, the Model "F" and "Dual F" are capable of filling from half-pint through Imperial gallon (171 fl. oz.) size containers. Fill can be completed with one stroke and without the use of change parts at varying speeds from 7 to 40 strokes per minute. These units are ideal for filling all types of containers. They feature simplicity in design and are quite reasonably priced. All stainless steel contacts. The frame is of tubular steel construction, easily adjustable for various height containers. Interchangeable cylinders for smaller size containers are available. These fillers may be utilized with your existing conveyor system, or a conveyor system can be provided by Simplex. Conveyor may be Continuous Motion or Intermittent Motion lug chain type.

**OPTIONAL EQUIPMENT**

Various Hopper sizes and shapes; adapter for filling from bulk storage; Rising Table for bottom-up fill; self-powered Agitators; No Container/No Fill feature; Explosion Proofing; conveyors as listed above (additional conveyor length available).



U HOPPER

**MODEL "A-S"**

**SINGLE PISTON MODEL "A-S"**

Ideal for modest production, lab or research. Compact, simple, accurate, the Table Model "A-S" is equipped with stainless steel contacts; waterproof switch; 1/3 HP motor (all standard motor specifications available); 6 ft. power cord; hand lever shut-off; one cylinder and one spout (sanitary design for ease of cleaning); cylinder assemblies are adjustable for filling from fractional ounces to quarts; two-speed operation 12 or 24 strokes per minute; fill 900 to 180C containers per hour!

**OPTIONAL EQUIPMENT**

Variable speed drive 10 to 25 strokes per minute; adjustable height floor stand; No Container/No Fill feature; Rising Table; flat blade stirring agitator; adaptor for filling from bulk storage; explosion proofing; Plunging Spout system; various Hopper shapes and sizes.

**Packaging - Processing**  
**Bid on Equipment**  
 1-847-683-7720  
[www.bid-on-equipment.com](http://www.bid-on-equipment.com)