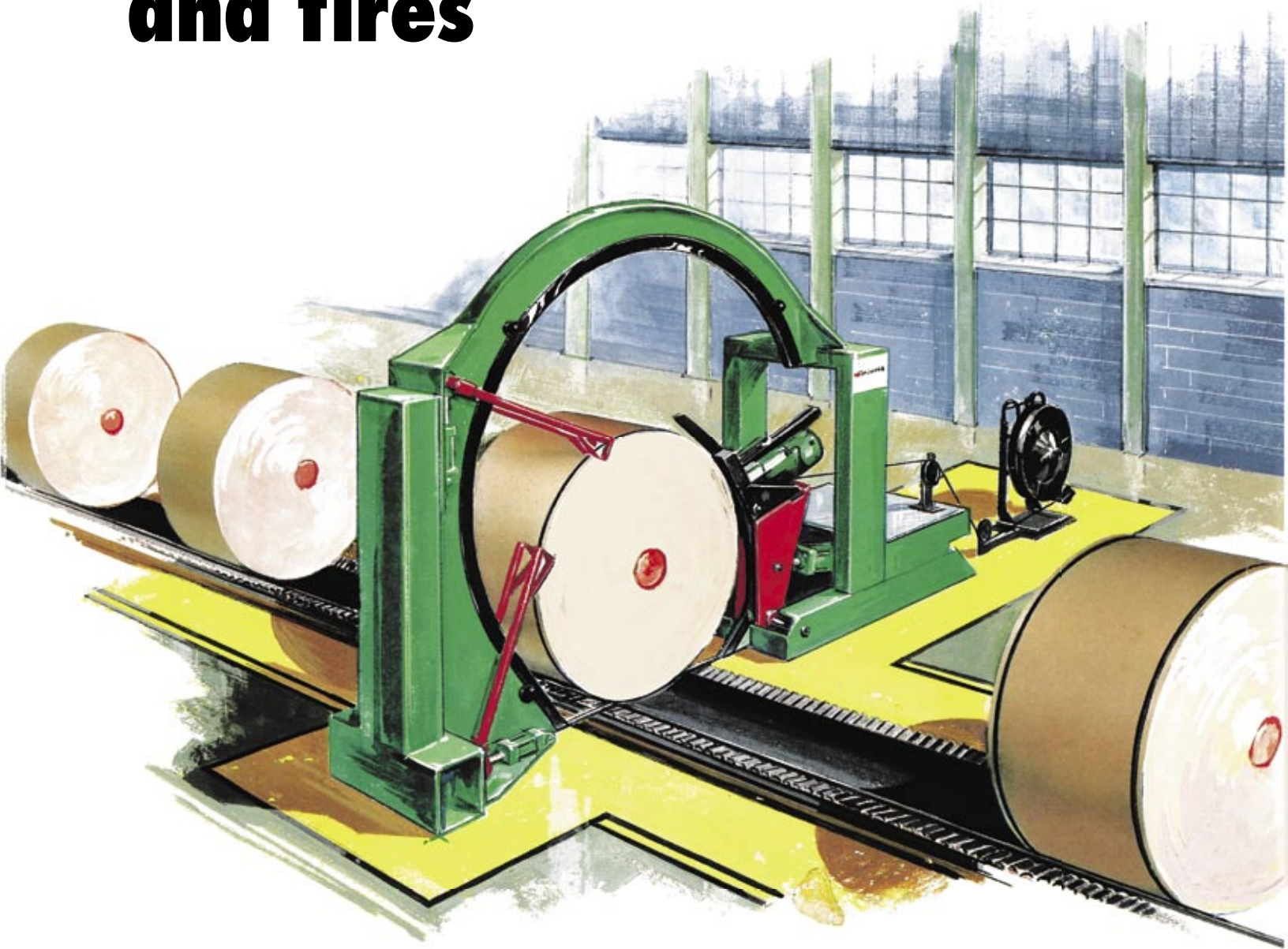


# Reduce roll damage from handling and fires



## Model M20RM Roll-end binding machines

 **SIGNODE®**

**C**urved edge steel strapping is a money-saver in the paper industry.

It prevents snagging and slipping; also reduces damage from handling, shipping and on-end storage.

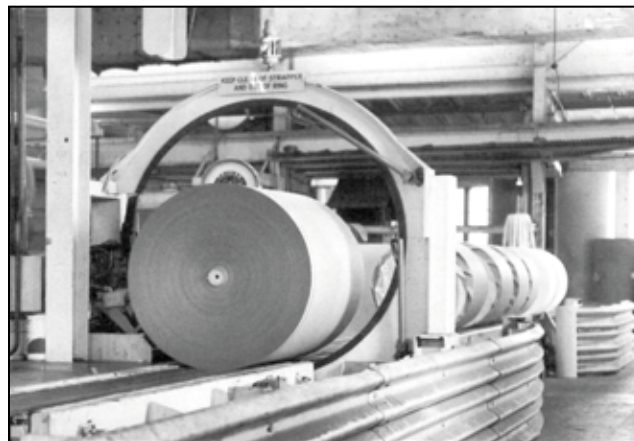
Insurance companies do recognize that fire damage will be less severe on steel strapped paper rolls. Circumferential steel straps will prevent the unwinding and exfoliation of paper rolls stacked on end.

That's where we come in. With the M20RM line. Four roll-end binding machines designed to place straps accurately.

Use them with your present roll-handling conveyor system. Signode works with your conveyor supplier to ensure that your strapping machine and conveyor fit together properly.

And Signode's M20-2 strapping head (far right) will help keep your operation flowing. A 350 lb. precision mechanism, the M20-2 is tough. So tough, that some have applied over three million straps. That means almost three decades of steady, dependable service.

The M20RM line. All are reliable. All are operatorless. And all are from Signode—the leader in roll-end binding technology for over 45 years.



*Rolls of paper on-line for strapping. The M20RM accurately places 3/8" or 1/2" curved edge steel strapping on both ends of the roll.*

## The M20RM line...

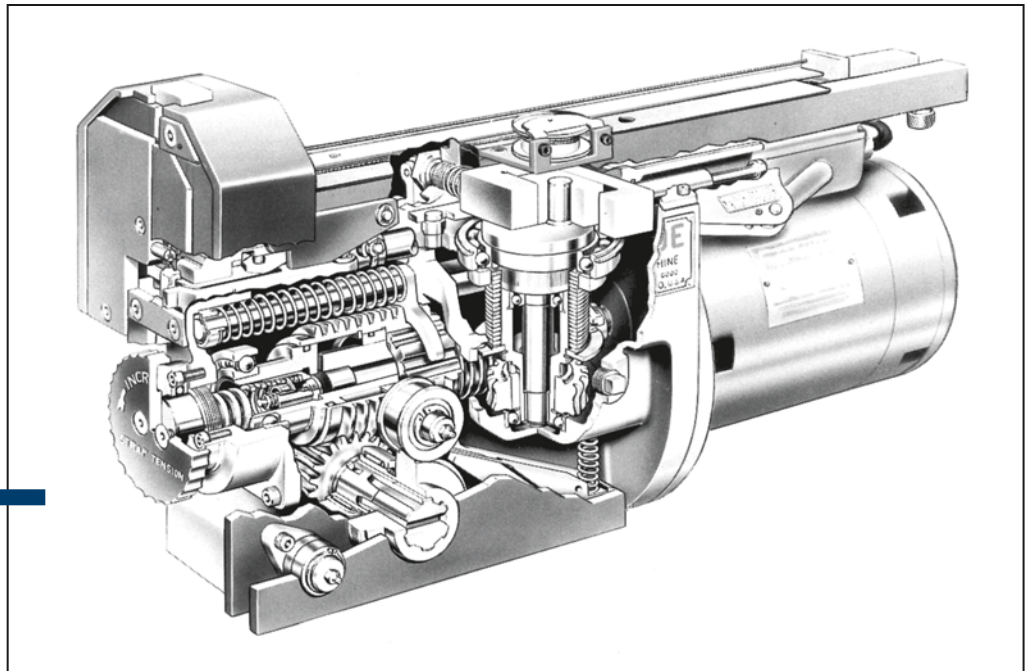
### Model M20RM-F & M20RM-FS

Our two basic fixed-position models. Air actuated pivoting guide arms and a movable bottom guide help attain accurate strap placement on the paper roll.



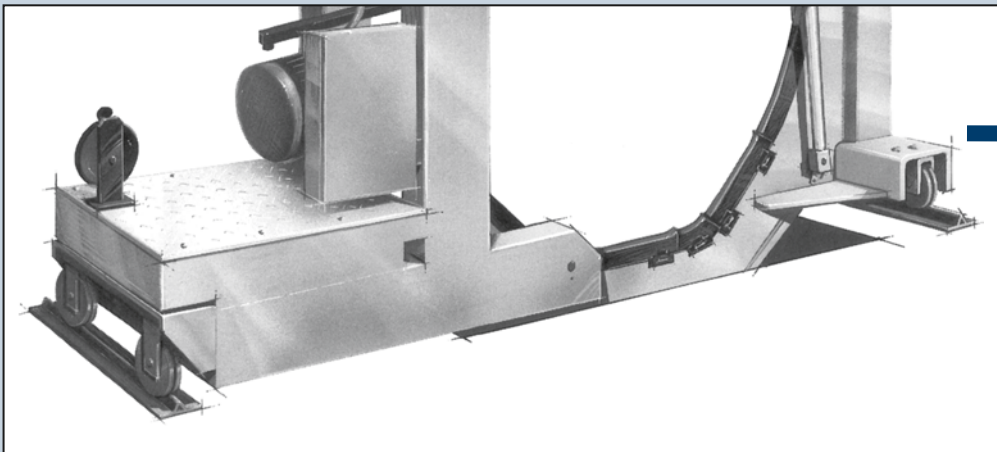
## The M20-2 Strapping Head

Proven performance for over  
45 years.



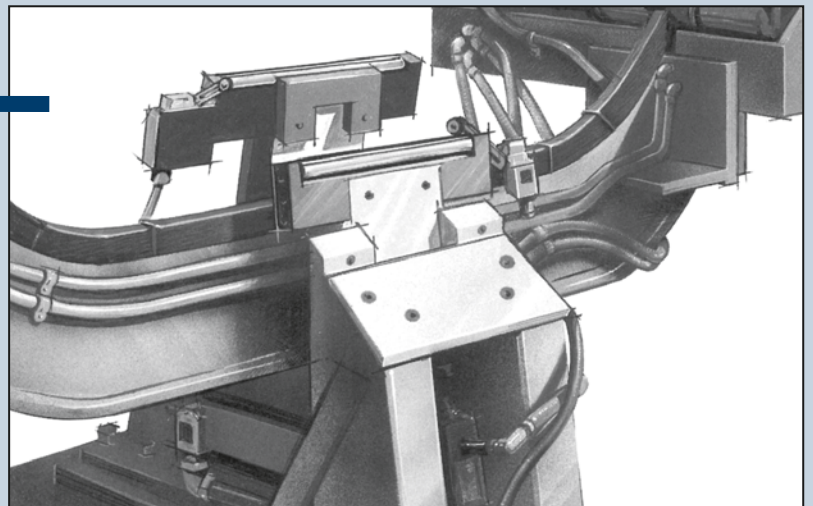
## Model M20RM-M

Entire machine moves laterally  
on a V-groove track. For  
accurate track placement,  
photoelectric eyes sense the  
ends of the paper roll.

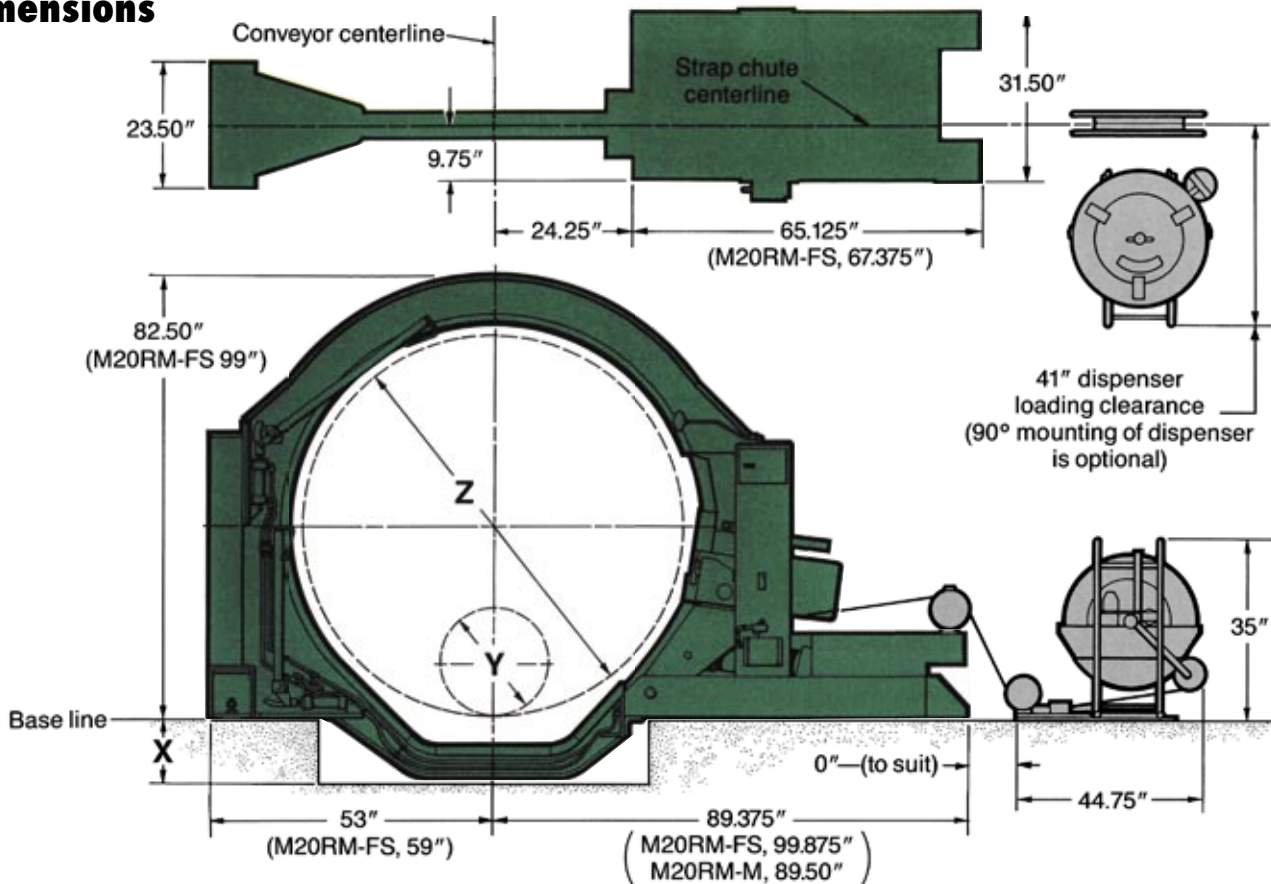


## Model M20RM-P

Incorporates positive stops which facilitate  
accurate and repeatable strap placement  
near the ends of the paper roll.



**Dimensions**



Model	X Pit depth or conveyor height	Y Minimum paper roll diameter	Z Maximum paper roll diameter
M20RM-F	11.50"	20"	72"
M20RM-FS	12.00"	36"	84"
M20RM-M	14.50"	20"	72"
M20RM-P	23.00"	20"	72"

**Specifications**

**Models M20RM-F, M20RM-FS, M20RM-M, M20RM-P**

**Minimum roll width**

Subject to specifications of conveyor supplier

**M20-2 strapping head motor**

3 hp, 1800 rpm

**Applied strap tension**

Adjustable from 50 to 1200 lbs.

**Seal magazine capacity**

300 for 3/8" strap, 250 for 1/2" strap

**Strap size**

Apex™, 3/8" x .015" through 1/2" x .020". Curved edge or flat. Factory adjusted for a specific width

**Strap chute**

Fully enclosed, clam shell design, made of heavy-gauge steel plate for reliable, trouble-free strap feeding

**Strap guide arms**

The ends of the two air-powered guide arms are hinged and spring loaded to ensure that both "feet" make positive contact with the paper roll

**Paper roll anticipator**

Fast pivoting strapping senses when it is nearing the paper roll's surface and slows to a cushioned stop against the roll without displacing light weight rolls

**Strap dispenser**

Model DP1-12R with powered take-up and OD take-off (100 lb. millwound coil capacity)

**Electrical requirements**

240, 480, or 600 v, 3 phase, 60 Hz

**Pneumatic requirements**

60 psi (minimum), 12.3 cfm

**Third (upper) guide arm option**

Improves strap placement accuracy on the paper roll

**Operatorless option**

Various combinations of center and/or end straps are controlled by a three position selector switch