

SIGNODE **LBX-2300**™

Semiautomatic plastic strapping machine

- **Unmatched simplicity —**
Easy to operate and maintain
- **Jam-resistant technology**
- **Non-directional strap loading**

Up to
70
straps per
minute!



Made in
the U.S.A.

SIGNODE **LBX-2300**TM *Semiautomatic plastic strapping machine*

The new LBX-2300TM semiautomatic strapping machine is the simplest, most reliable general-duty strapping machine on the market today. With 40% fewer parts and more timesaving features, the LBX-2300 machine simplifies operation and maintenance to save you time and money.

Strap feeds from either direction

Strap coil pays off from either direction, eliminating the downtime and material waste resulting from incorrect coil loading.



Out-of-strap feature

The out-of-strap feature ejects the strap at the end of the coil to eliminate downtime associated with removing the excess strap left in the machine.

Easy maintenance

No drive belts or clutches. Hot knife can be removed and cleaned without the use of any tools.



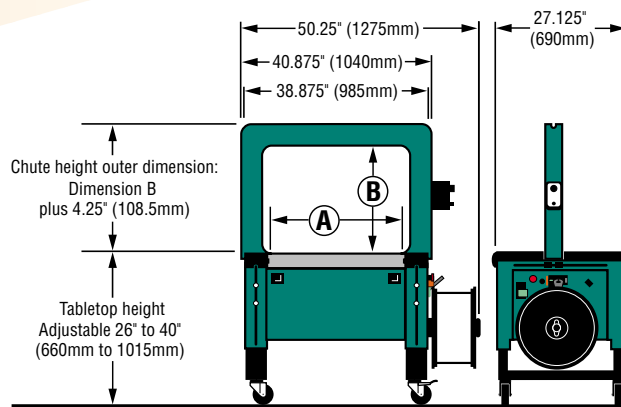
Fully accessible strap path

No tools required. Simply raise the tabletop and lift guide for access to strap path.



Automatic cut-off and refeed option

Signode's patented automatic cut-off and refeed feature automatically ejects misfed strap, rethreads itself and continues strapping without operator intervention.



LBX-2300 Chute inner dimensions

	in.	mm	in.	mm	in.	mm	in.	mm
A*	16	405	20	510	28	710	33	840
B	10	255	15	380	20	510	30	760

*Inner dimension A is maximum package size.

LBX-2300 Specifications

- Cycle rate:** Up to 70 straps per minute. Actual production will vary depending on package size, chute size and operator dexterity.
- Maximum package weight:** 100 lbs
- Strapping:** 5mm or 6mm polypropylene strapping
- Strap tension:** Adjustable from 2 lbs to 60 lbs
- Electrical requirements:** 120 volt, 60Hz, FLA 7 amp; 3 phase voltage optional
- Shipping weight:** 600 lbs

LBX-2300 Options

- Single or dual compression
 Single: Up to 120 lbs at 90 lbs psi
 Dual: Up to 240 lbs at 90 lbs psi
- Indicator light alerts operator to low strap/out-of-strap conditions and machine malfunction
- EZ adjustable leg kit — 26" to 40" (660mm to 1015mm)
- Automatic cut-off and refeed
- Roller top

The LBX is also available in an automatic model, the LBX-2330.

Save up to 20% on material costs with LB Series plastic strapping

The new LBX-2300 utilizes Signode's newest Contrax[®] polypropylene strapping. LB Series strapping has the same durable properties as regular Contrax with more strap per coil.

- LB 112 5mm Contrax coils — 30,000 feet per coil
- LB 212 6mm Contrax coils — 24,000 feet per coil



3610 West Lake Avenue
 Glenview, Illinois 60026
 1-800-323-2464
 www.signode.com