

INFORMATION

SHICK TUBE-VEYOR CORPORATION'S Tube Selector valve is constructed for use with both vacuum and pressure pneumatic conveying applications. The Tube Selector Valve uses an exclusive diverting piston design for effective convergence or divergence of material. The piston is raised or lowered into position, without rotation, by selectively injecting compressed air into each end of the cylinder. This movement allows the horizontal borings, located on two separate planes within the piston, to align with the housing ports to achieve a straight-through or divert position.

FEATURES

FAIL-SAFE VALVE POSITION

INDICATION - Dual-limit switch design confirms proof-positive valve position, eliminating the possibility of flow direction error. This design assures the Tube Selector Valve will be in either the straight-through or divert position, not somewhere in between.

INNOVATIVE PISTON OPERATION

Shick's Tube Selector Valve uses a unique piston constructed of solid stock with the ports bored to precise specifications virtually eliminating the possibility of cross-contamination of conveyed material.

NEMA - 4 and 9 standard, 4X and 7 available.

MACHINED CLOSE TOLERANCES

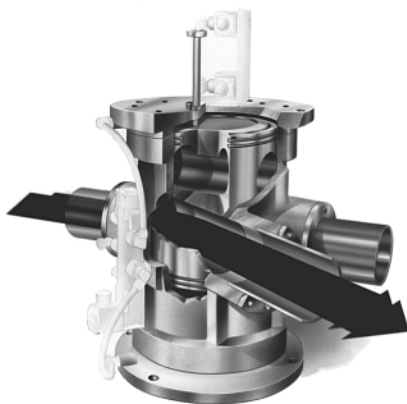
Unlike other valves incorporating easily degradable rubber and plastic seats, Shick's valves are machined to precision metal-to-metal clearances eliminating frequent replacement of wearing parts.



POSITIVE LINE CONNECTION - Removable port flange and O-ring seals provide secure pipe/tube to valve connection for quick installation without leakage.

ABRASION RESISTANT DESIGN - Valve design allows for smooth transition in the divert position, reducing pressure loss, friction and abrasive wear.

EASY INSTALLATION - Shick's Tube Selector Valve can be mounted in either the vertical or horizontal position. Mounting holes are also supplied in endplates for floor-mounting or when the valve is to be suspended from a structure.



TUBE SELECTOR VALVE

SHICK TUBE-VEYOR CORPORATION

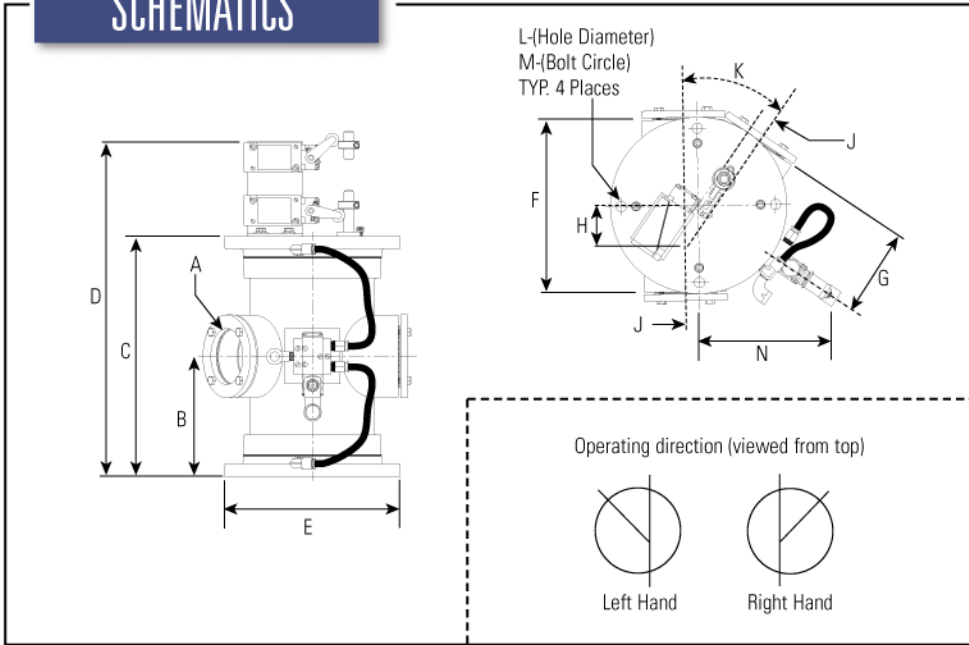
4346 Clary Boulevard • Kansas City, Missouri 64130 • P (816) 861-7224 • F (816) 921-1901

Packaging - Processing
Bid on Equipment

1-847-854-8577

www.bid-on-equipment.com

SCHEMATICS



NOTES:

Electrical Supply: Standard solenoids and limit switches require 110V/single phase/60Hz control power standard (other voltages available upon request.)

Weather Resistant: Valves are sealed to resist moisture and machined to withstand a wide range of temperatures. Weather shields are available for outdoor applications.

Clean-In-Place Applications (CIP): Available coupling/ferrule arrangement, allows quick disassembly and cleaning.

Limit Switches: Standard mechanical limit switch. Proximity switches are optional.

Maximum Line Pressure: 20 P.S.I.

Air Supply: 80 - 100 P.S.I. clean dry air. No lubrication.

Port Seals: All valves supplied with Buna-N O-rings standard. Other materials available upon request.

Piston Seals: All valves supplied with Buna-N O-rings standard.

Diverting Direction: Left hand or right hand available upon request.

DIMENSIONS

Inches												
A	B	C	D	E	F	G	H	J	K	L	M	N
3" TUBE	6 1/2	13	18 1/4	9 5/8	9 1/4	4 5/8	2 3/8	3/4	35°	9/16	8 3/8	7 5/8
4" TUBE	9 1/4	18 1/2	24 5/8	13 1/2	14 5/8	7 5/16	3 23/32	1	30°	9/16	12 1/2	9 1/2
5" TUBE	10 5/8	21 1/4	29	15 1/4	17 1/2	8 3/4	4 7/16	1 3/16	30°	9/16	14	11
6" PIPE	14	28	37	21	23	11 1/2	6	1 9/16	30°	13/16	19	11

Millimeters												
A	B	C	D	E	F	G	H	J	K	L	M	N
76.2m TUBE	165	330	464	244	235	117	60	19	35°	14	213	194
101.6m TUBE	235	470	625	343	371	186	94	25	30°	14	318	241
127m TUBE	270	540	737	387	445	445	113	30	30°	14	356	279
152.4m PIPE	356	711	940	533	584	292	152	40	30°	21	483	279

NOTES: All dimensions are nominal.
Mounting holes for 6" TSV are on 45° instead of 90° as shown.
Valves are not designed to be actuated while product is in conveying stream.

Information on this page is subject to change without notice. For additional information on this and other Shick Tube-Veyor products and services, please call Shick directly or your local representative.

WEIGHTS

3"/76.2m TUBE	120 lbs.
3"/76.2m PIPE	120 lbs.
4"/101.6m TUBE	155 lbs.
4"/101.6m PIPE	155 lbs.
5"/127m TUBE	195 lbs.
5"/127m PIPE	195 lbs.
6"/152.4m TUBE	505 lbs.

MATERIALS OF CONSTRUCTION

3"/76.2 HOUSING	CAST IRON	ALUMINUM	ELECTROLESS NICKEL PLATED	STAINLESS STEEL 316**	STAINLESS STEEL 304**
3"/76.2 PISTON	CAST IRON	ALUMINUM	ELECTROLESS NICKEL PLATED	STAINLESS STEEL 316**	STAINLESS STEEL 304**
4"/101.6 HOUSING	CAST IRON	ALUMINUM	ELECTROLESS NICKEL PLATED	STAINLESS STEEL 316**	STAINLESS STEEL 304**
4"/101.6 PISTON	CAST IRON	ALUMINUM	ELECTROLESS NICKEL PLATED	STAINLESS STEEL 316**	STAINLESS STEEL 304**
5"/127m HOUSING	CAST IRON	ALUMINUM	ELECTROLESS NICKEL PLATED	STAINLESS STEEL 316**	STAINLESS STEEL 304**
5"/127m PISTON	CAST IRON	ALUMINUM	ELECTROLESS NICKEL PLATED	STAINLESS STEEL 316**	STAINLESS STEEL 304**
6"/152.4 HOUSING	CAST IRON	ALUMINUM	ELECTROLESS NICKEL PLATED	STAINLESS STEEL 316**	STAINLESS STEEL 304**
6"/152.4 PISTON	CAST IRON	ALUMINUM	ELECTROLESS NICKEL PLATED	STAINLESS STEEL 316**	STAINLESS STEEL 304**

**In material contact area.

HEADQUARTERS:

Shick Tube-Veyor Corporation
4346 Clary Boulevard, Kansas City, MO 64130
P (816) 861-7224 / F (816) 921-1901

Shick Tube-Veyor Asia Pacific PTE LTD
32 Ang Mo Kio Industrial Park 2
#02-03 Sing Industrial Complex, Singapore 569510
Tel: (65) 4824600 Fax: (65) 4818255

REPRESENTED BY:

Packaging - Processing
Bid on Equipment
1-847-854-8577
www.bid-on-equipment.com

SHICK TUBE-VEYOR CORPORATION

TSV K96 10K