

TOTE SYSTEM

ShickUSA's Tote Systems are used as a means to store and transfer various liquid ingredients. The totes feed a reservoir from which a pump draws product and distributes it out to one or more usepoints. When the tote (IBC) is empty, the inline level switch sends a signal to a PLC or local indicator. Typical reservoir design provides at least 15 minutes of changeover time.

FUNCTION

- Liquid IBC is placed on top by fork truck.
- Hose is connected, IBC (tote) valve is opened.
- Product gravity feeds into reservoir tank.
- Pump draws product from tank and out to usepoints.
- When IBC is empty, the inline level switch sends a signal to a PLC or local indicator.
- Operator can then replace the tote with a new one while the system continues to operate from the product in the reservoir.
- Typical reservoir design provides for at least 15 minutes of changeover time.

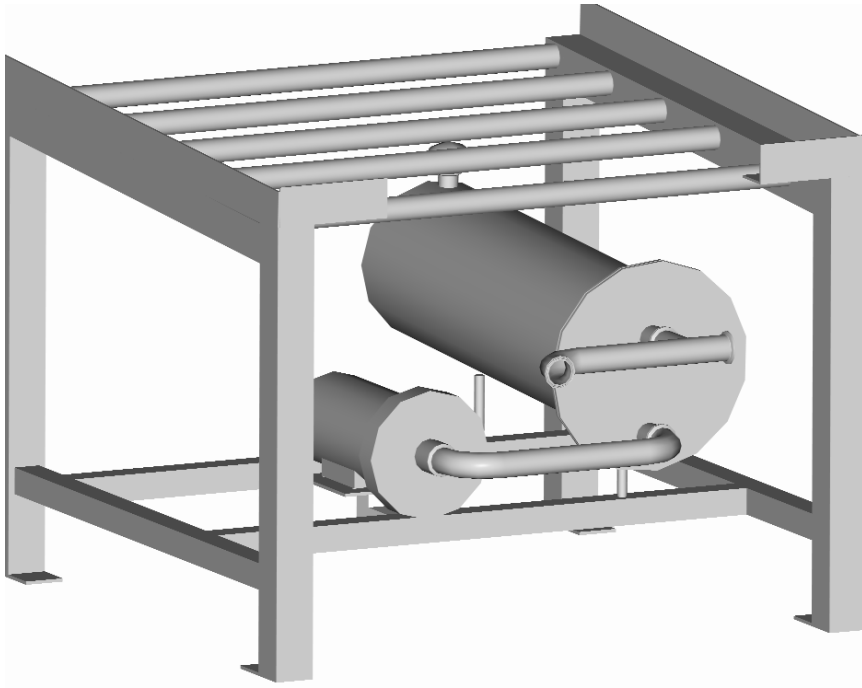


RFQ DATA

- Product _____
- Batch Size (Maximum) _____
- Batches/Hr _____
- Time to Deliver _____
- Distance from tote station to usepoint
(Maximum) _____

OPTIONS

- 40-gallon tank for larger batch sizes
- Sanitary strainer
- Sanitary magnet trap
- Mass flow meter
- Tank heater



Overall dimensions are 44" wide, 39" high, and 52" deep.

STANDARD EQUIPMENT

- Tote adapter.
- 2" food grade transparent hose with tri-clamp end connections.
- Sanitary inline level switch.
- 14-gallon 304 stainless steel reservoir tank with vacuum breaker/air bleed.
- Transfer pump (Sanitary centrifugal for product without sugars below 500 cps. Air operated double diaphragm with pulse dampener for all other products.)
- All mounted on a 304 stainless steel tote stand. Designed for use in sanitary environments with an angled tote position for better drainage.

HEADQUARTERS:

ShickUSA
4346 Clary Blvd.
Kansas City, Mo 64130
Tel: (816) 861-7224 / Fax: (816) 921-1901

ShickAP
Blk 5000 Ang Mo Kio Ave 5
#05-07 Techplace II
Singapore 569870
Tel: (65) 64824600 / Fax: (65) 64818255
www.shickusa.com

Information on this page is subject to change without notice. For additional information on this and other Shick Tube-Veyor products and services, please call Shick directly or your local representative.

REPRESENTED BY:

