

INFORMATION



SCALE HOPPERS

SHICK TUBE-VEYOR CORPORATION'S Scaling and Receiving Hoppers are used in pressure, vacuum and gravity scaling and receiving applications. These concentric and eccentric units are available in a wide range of capacities and are most often filled pneumatically through the use of a Shick diverter valve. The eccentric hopper design is often used when the horizontal space above the fill point is limited.

STANDARD FEATURES

MATERIAL OF CONSTRUCTION -

ASTM 569 carbon steel or ASTM A240 304 stainless steel sheet metal.

CARBON STEEL FINISHES -

Internal welds are ground to a 36-grit finish on weld seams only. Internal finish is clear phenolic or epoxy. External paint is primed with white enamel finish coat.

STAINLESS STEEL FINISHES -

Interior welds ground to a 80-grit finish. Exterior welds to be cleaned. Sheet is a 2B mill finish.

EASY INSTALLATION - With (3) support lugs at 120° circumference to accept compression load cells or hanger rods with tension load cells.

60 DEGREE SLOPE - Standard designed to encourage the discharge of material. Other slopes available.

ACCESS DOOR - A removable, flush-fitting access door is provided in the cone section.



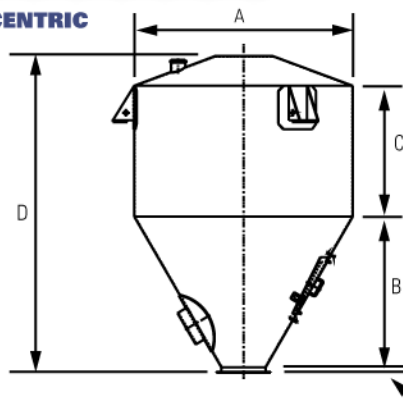
SHICK TUBE-VEYOR CORPORATION

4346 Clary Boulevard • Kansas City, Missouri 64130 • P (816) 861-7224 • F (816) 921-1901

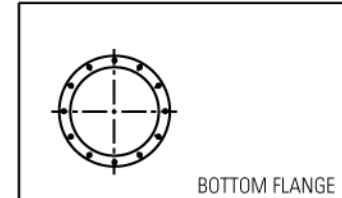
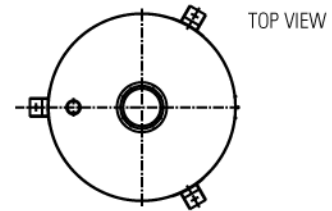
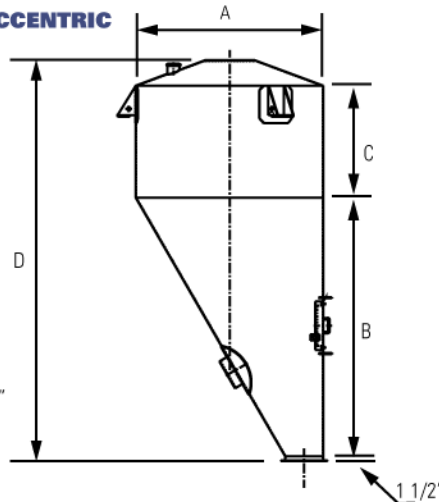
Packaging - Processing
Bid on Equipment
1-847-854-8577
www.bid-on-equipment.com

SCHEMATICS

CONCENTRIC



ECCENTRIC



DIMENSIONS - CONCENTRIC

Usable Capacity Cu. M/Cu. Ft.	Dead Wt* KG/Lbs.	A In/mm	B In/mm	C In/mm	D In/mm	Bin Body Thickness
.27/9.5	204/450	36/914	21/533	12/305	39/990	12 ga.
.47/16.6	225/495	36/914	21/533	24/610	51/1295	12 ga.
.67/23.7	245/540	36/914	21/533	36/914	63/1600	12 ga.
.74/26.0	288/635	52/1321	35/889	12/305	55/1397	12 ga.
1.15/40.7	318/700	52/1321	35/889	24/610	67/1702	12 ga.
1.57/55.5	347/766	52/1321	35/889	36/914	79/2007	12 ga.
1.11/39.2	396/873	60/1524	42/1067	12/305	64/1626	10 ga.
1.67/58.9	440/970	60/1524	42/1067	24/610	76/1930	10 ga.
2.22/78.5	484/1067	60/1524	42/1067	36/914	88/2235	10 ga.
1.88/66.4	479/1056	72/1829	52/1321	12/305	76/1920	10 ga.
2.68/94.7	532/1173	72/1829	52/1321	24/610	88/2235	10 ga.
3.48/123.0	585/1289	72/1829	52/1321	36/914	100/2540	10 ga.

DIMENSIONS - ECCENTRIC

Usable Capacity Cu. M/Cu. Ft.	Dead Wt* KG/Lbs.	A In/mm	B In/mm	C In/mm	D In/mm	Bin Body Thickness
.44/15.4	204/450	36/914	42/1067	12/305	60/1524	12 ga.
.64/22.5	225/495	36/914	42/1067	24/610	72/1829	12 ga.
.84/29.6	245/540	36/914	42/1067	36/914	84/2134	12 ga.
1.25/44.2	288/635	52/1321	70/1778	12/305	90/2286	12 ga.
1.67/59.0	318/700	52/1321	70/1778	24/610	102/2591	12 ga.
2.09/73.7	347/766	52/1321	70/1778	36/914	114/2896	12 ga.
1.90/67.3	396/873	60/1524	84/2134	12/305	105/2667	10 ga.
2.46/87.0	440/970	60/1524	84/2134	24/610	117/2972	10 ga.
3.02/106.6	484/1067	60/1524	84/2134	36/914	129/3277	10 ga.

*Weights include a Shick Bottom Diverter Valve, Butterfly Valve, and vibrator.

HEADQUARTERS:

Shick Tube-Veyor Corporation
4346 Clary Boulevard, Kansas City, MO 64130
P (816) 861-7224 / F (816) 921-1901

Shick Tube-Veyor Asia Pacific PTE LTD
32 Ang Mo Kio Industrial Park 2
#02-03 Sing Industrial Complex, Singapore 569510
Tel: (65) 4824600 Fax: (65) 4818255
www.shicktube.com

Information on this page is subject to change without notice. For additional information on this and other Shick Tube-Veyor products and services, please call Shick directly or your local representative.

REPRESENTED BY:

OPTIONS FOR

FINISH - Stainless: 4B finish sheet with interior welds ground to a 180-grit finish. Others available.

VIBRATOR/AERATION - Air-impacting vibrators or aerating Solimar(s) assist the flow of dry material from any vessel. Others available.

LOAD CELLS - Compression for mezzanine applications or tension load cell kits for hanging application are available in a wide range of sizes, depending on the size of the scale hopper and weight of material. Load cell kit comes complete with (3) load cells (tension), summing box and cable.

NOTES:

1. Capacities based on 20° product angle of repose, 60° hopper and center fill Shick Bottom Diverter Valve.
2. 12" diameter discharge. Others available.
3. Discharge flange is 1/4" thick and 15" OD
4. Inlet flange is 9" ID x 12" OD for 36" diameter hoppers (for 3" Shick Bottom Diverter Valve.)
5. Inlet flange is 12" ID x 16" OD for 52", 60", 72" diameter hoppers (for 4" & 5" Shick Bottom Diverter Valves.)
6. Approximately 20° conical top.
7. All hoppers are built with vibrator pad, vacuum relief filter and (3) support lugs.
8. Maximum pressure not to exceed 14.7 psig, maximum vacuum 17 Hg.



Packaging - Processing
Bid on Equipment

1-847-854-8577

www.bid-on-equipment.com