

INFORMATION

SHICK TUBE-VEYOR CORPORATION'S IQC (Insertable Quick Change) Filter features high efficiency (99.99%+) spun bonded polyester filter elements with PTFE membranes. The IQC unit is ideally suited for dust collection areas that have height restriction as well as to replace dust collectors on top of use bins and silos. Because of the innovative design of the unit and the filter configuration, a complete set of filter elements can be replaced in only a few minutes without tools. (Patent Pending)



IQC FILTER

FEATURES

EASILY ACCESSIBLE – The IQC filter elements are easy to access for use bin and silo top applications, significantly reducing filter replacement labor and parts when compared to traditional dust collectors with bags and cages.

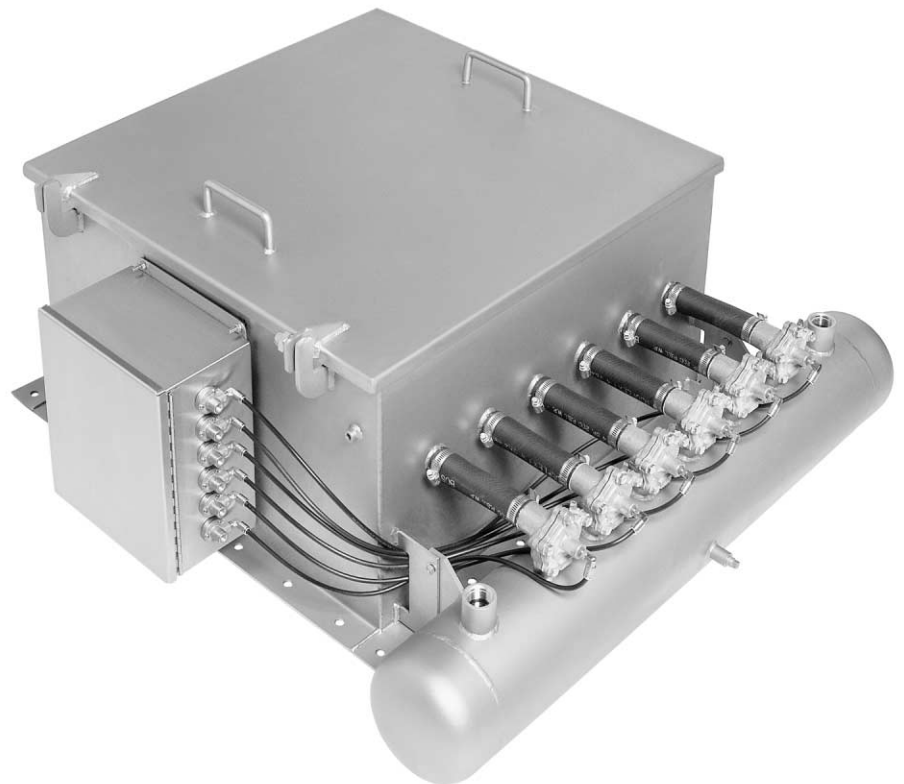
HEIGHT REDUCTION – The IQC Filters provides a maximum filter area in a limited amount of space by extending the sidewalls of the bin on which it is mounted.

QUICK CHANGE FILTER – The plenum is equipped with a lock-in-place door through which the filter elements are accessed. No tools are required to release the blow-down tube assemblies or the elements. Once the blow-down tube assemblies are removed, the elements can easily be removed and cleaned or replaced.

CLEANABLE ELEMENTS – The filter elements may be cleaned with a light water stream.

FINISH – All 304 stainless steel construction. 2B internal finish and glass bead blasted exterior.

FILTER ELEMENTS – Spun bonded polyester with PTFE membrane. 99.99%+ efficiency rating.



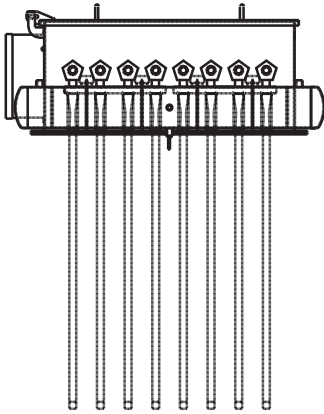
Packaging - Processing
Bid on Equipment
1-847-854-8577
www.bid-on-equipment.com

SHICK TUBE-VEYOR CORPORATION

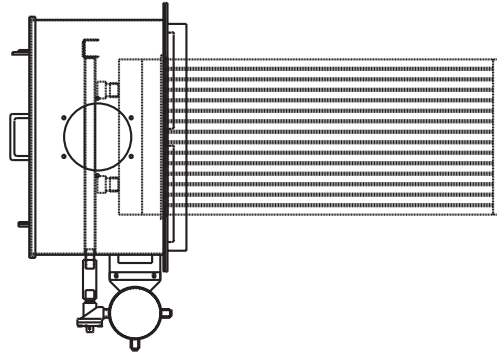
4346 Clary Boulevard • Kansas City, Missouri 64130 • P (816) 861-7224 • F (816) 921-1901

SCHEMATICS

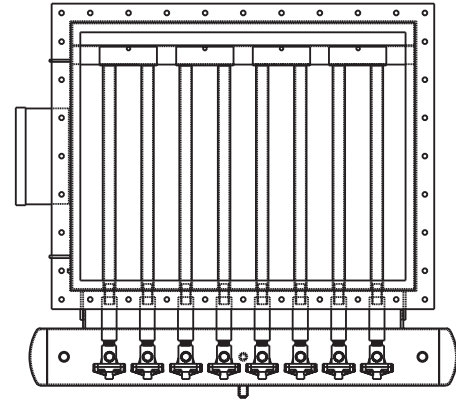
TOP MOUNTED



SIDE MOUNTED



PLAN VIEW

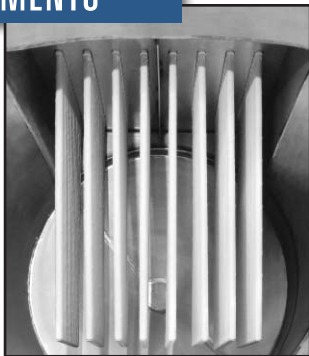


MODELS

Model No. SI/TI	Element Length inch/mm	No. of Elements	Filter Area Sq. Ft.	Recommended CFM Volume (10:1 A/C Ratio)	Minimum Bin Dia. for SI units - Inch/mm
4-700	27.55/700	4	37.04	370 CFM	36"/914
6-700	27.55/700	6	55.56	557 CFM	36"/914
4-1000	39.36/1000	4	52.96	523 CFM	48"/1219
6-1000	39.36/1000	6	79.44	794 CFM	48"/1219
8-1000	39.36/1000	6	79.44	794 CFM	48"/1219
4-1250	49.2/1250	4	65.84	656 CFM	60"/1524
6-1250	49.2/1250	6	98.76	989 CFM	60"/1524
8-1250	49.2/1250	8	131.68	1312 CFM	60"/1524
12-1250	49.2/1250	12	197.52	1975 CFM	60"/1524

FILTER ELEMENTS

Filter elements
from inside the
bin/silo.



HEADQUARTERS:

Shick Tube-Veyor Corporation
 4346 Clary Blvd.
 Kansas City, Mo 64130
 Tel: (816) 861-7224 / Fax: (816) 921-1901
 Shick Tube-Veyor Asia Pacific PTE LTD
 Blk 5000 Ang Mo Kio Ave 5 #05-07
 Techplace II
 Singapore 569870
 Tel: (65) 64824600 / Fax: (65) 64818255
www.shickusa.com

Information on this page is subject to change without notice. For additional information on this and other Shick Tube-Veyor products and services, please call Shick directly or your local representative.

REPRESENTED BY:

