

INFORMATION

SHICK TUBE-VEYOR CORPORATION manufactures four different sizes of cyclone separators. These cyclones provide an efficient and cost-effective means of separating particulates (material) from air in a pressure or vacuum pneumatic conveying airstream. Cyclones operate by generating a vortex of particulate laden air. Centrifugal force pushes the particulates toward the outer cyclone wall where they lose velocity and spiral downward to the discharge. The relatively particulate-free air is then exhausted through the clean air discharge port which is attached to the top of the cyclone. Efficiency of this process depends on the material being conveyed, material/air flow rates, and cyclone design. Typical applications for cyclones are at material processing points, such as sifter stations, pulverizers, and liquid mixers.

FEATURES

MATERIAL OF CONSTRUCTION -

12 GA, ASTM 569 carbon steel or ASTM A240 304 stainless steel sheet metal.

CARBON FINISHES - Internal welds are ground to a 36 grit finish on weld seams only. Internal finish is clear phenolic or epoxy. External paint is primed with white enamel finish coat.

STAINLESS FINISHES - Interior welds are ground to an 80 grit finish with no cracks, pits or crevices, hard wheel finish on weld seams only. Exterior welds to be cleaned. Sheet is a 2B mill finish.

ADJUSTABLE INLET & OUTLET -

Positioning of inlet and outlet over the entire 360° range.

EASY INSTALLATION - With (4) mounting lugs to accept 1/2" diameter hanger rods.



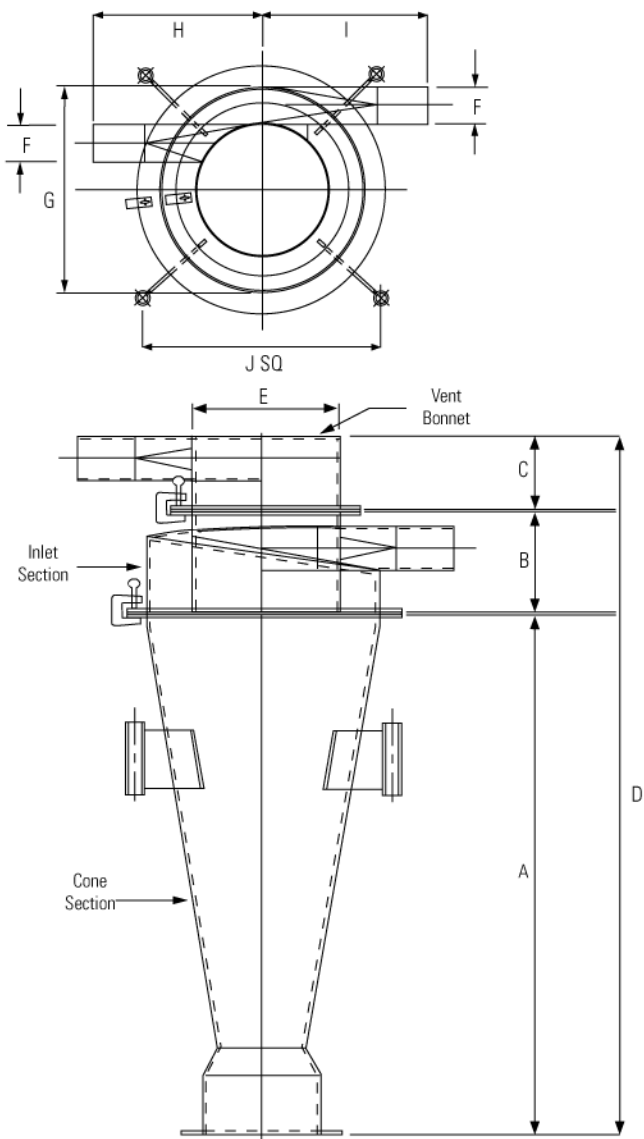
CYCLONE SEPARATOR

Packaging - Processing
Bid on Equipment
1-847-854-8577
www.bid-on-equipment.com

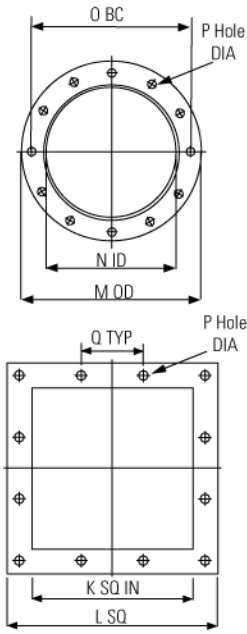
SHICK TUBE-VEYOR CORPORATION

4346 Clary Boulevard • Kansas City, Missouri 64130 • P (816) 861-7224 • F (816) 921-1901

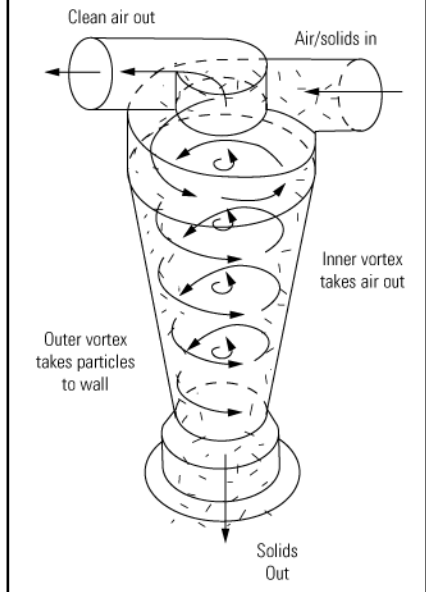
SCHEMATICS



DISCHARGE FLANGES



OPERATION



NOTES:

1. Round discharge flange for 16"
2. Square discharge flange for 20", 24", 30"
3. Flanges are built to mate to a Shick airlock.

OPTIONS FOR

LEVEL INDICATOR:

Vent Bonnet is available as shown or can be fitted with rotary or probe-type level indicator to indicate product accumulation.

FINISH:

Stainless: 4B finish sheet with interior welds ground to a 150 grit finish.

DIMENSIONS - UNIT

Dia-meter	A In/mm	B In/mm	C In/mm	D In/mm	E ID In/mm	F OD In/mm	G ID In/mm	H In/mm	I In/mm	J SQ In/mm	K SQ In/mm	L SQ In/mm	M OD In/mm	N ID In/mm	O BC In/mm	P DIA In/mm	Q TYP In/mm	Wt. Lbs.
16	36/914	7/176	5/127	48.25/1226	10/254	3/76	16/406	13/330	13/330	18/457	-	-	11/279	8/203	9.75/248	.5/13	-	75
20	43/1092	8/203	6/152	57.25/1454	12/305	4/102	20/508	13/330	13/330	22.625/575	10.5/267	14.5/371	-	-	-	.625/16	4.125/105	95
24	51.375/1305	9/229	8/203	68.625/1743	14/356	5/127	24/610	13/330	13/330	26.125/664	10.5/267	14.5/371	-	-	-	.625/16	4.125/105	115
30	68/1727	10/254	8/203	86.25/2191	18/457	6/152	30/762	22/559	22/559	32.5/826	10.5/267	14.5/371	-	-	-	.625/16	4.125/105	135

HEADQUARTERS:

Shick Tube-Veyor Corporation
4346 Clary Boulevard, Kansas City, MO 64130
P (816) 861-7224 / F (816) 921-1901

Shick Tube-Veyor Asia Pacific PTE LTD
32 Ang Mo Kio Industrial Park 2
#02-03 Sing Industrial Complex, Singapore 569510
Tel: (65) 4824600 Fax: (65) 4818255

Information on this page is subject to change without notice. For additional information on this and other Shick Tube-Veyor products and services, please call Shick directly or your local representative.

REPRESENTED BY:

Packaging - Processing
Bid on Equipment
1-847-854-8577
www.bid-on-equipment.com

SHICK TUBE-VEYOR CORPORATION