

INFORMATION

SHICK'S CQC (Compact Quick Change) filter features high efficiency (99.99%+) spun bonded polyester filter elements with PTFE membranes. The unique design of these elements allows for far greater air-to-cloth ratios than conventional bag filters. Filter features a top element removal design, which allows for a complete set of elements to be replaced within minutes. All CQC filters are designed for pressure or vacuum service. (patents pending)



CQC FILTER



FEATURES

FILTER ELEMENTS - Spun bonded polyester with PTFE membrane. 99.99%+ efficiency rating.

ELEMENT HOUSING - Standard 304 stainless steel construction. Element tube sheet is removable for inspection of housing interior.

CLEAN AIR PLENUM - Hinged, dished head design with quick clamp release hold down clamps. Compressed air header includes 3/4" diaphragm valves, 0-200 P.S.I.G. pressure gauge and pressure differential gauge.

TIMER BOX - Includes pre-wired timer board with adjustable timer for 120 VAC, single phase, 60 hertz and solenoid valves. NEMA 4 enclosure.

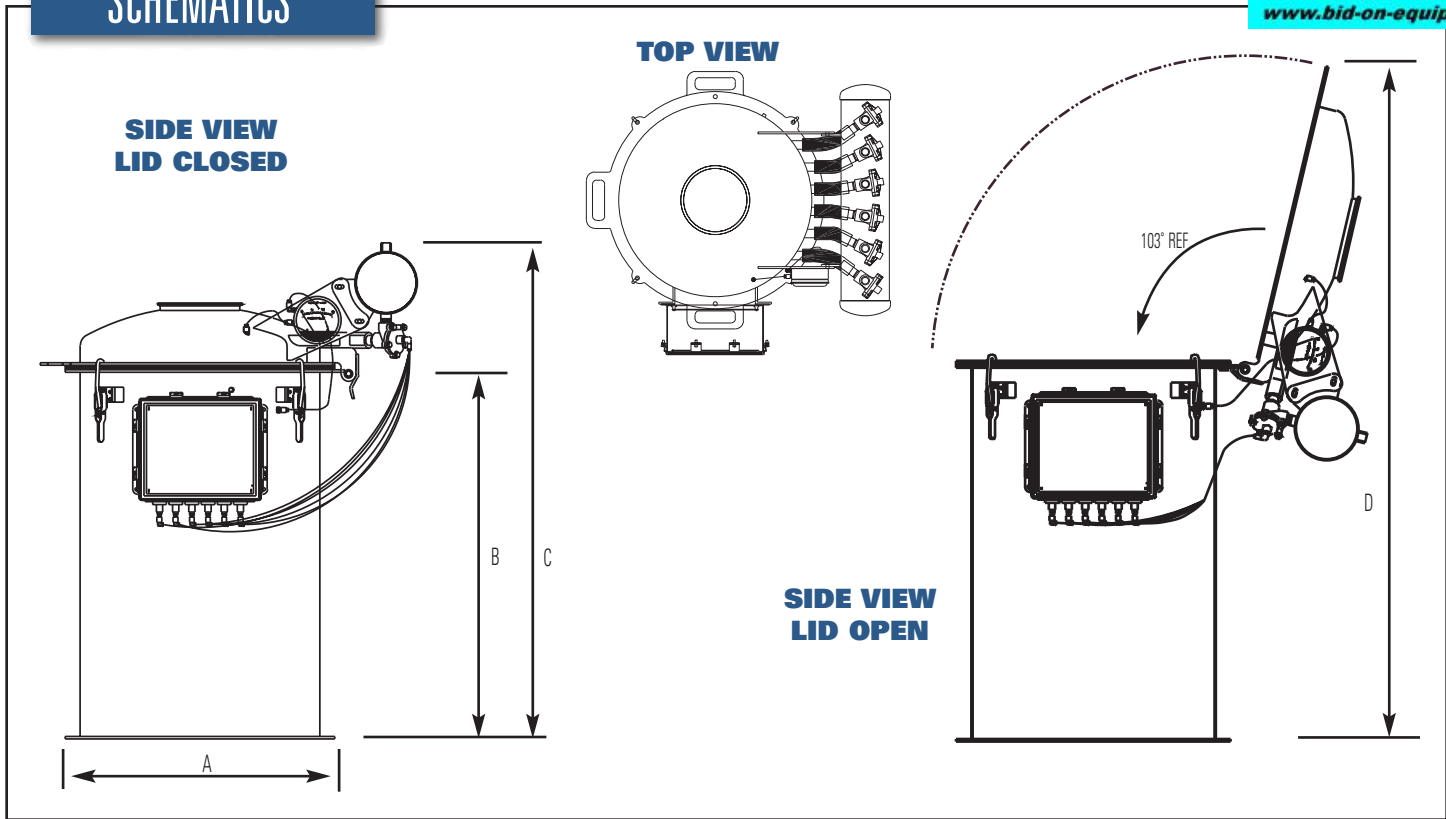
FINISH - All 304 stainless steel construction. 2B interior finish with glass bead blasted exterior.

Packaging - Processing
Bid on Equipment
1-847-854-8577
www.bid-on-equipment.com

SHICK TUBE-VEYOR CORPORATION

4346 Clary Boulevard • Kansas City, Missouri 64130 • P (816) 861-7224 • F (816) 921-1901

SCHEMATICS



FILTER ELEMENTS



(patents pending)

OPTIONS

- 316 stainless steel
- Custom finishes
- Custom designed filters with longer or shorter elements

OPTIONS CQC - MINI

- Units with vibrator
- Units with pulse-jet
- Units with pulse-jet and fan

These units are a long-term and sanitary replacement for static bags. The unit shown includes the optional pulse-jet feature. A fan must be added when venting rotary sifters. For all other uses for the filter, the CQC-Mini with vibrator is recommended. Vibratory unit not shown.

MODELS/DIMENSIONS

MODEL NO.	CLOTH AREA SQ. FT.	NO. OF ELEMENTS	CFM	A IN/MM	B IN/MM	C IN/MM	D IN/MM
36CP/CV36	48.96	36	490	28.75/1730	37.25/946	48.875/1241	67.4375/1713
36CP/CV32	43.52	32	440	28.75/1730	37.25/946	48.875/1241	67.4375/1713
36CP/CV28	38.80	28	390	28.75/1730	37.25/946	48.875/1241	67.4375/1713
36CP/CV24	32.64	24	330	28.75/1730	37.25/946	48.875/1241	67.4375/1713
36CP/CV20	27.20	20	270	28.75/1730	37.25/946	48.875/1241	67.4375/1713
36CP/CV16	21.76	16	220	28.75/1730	37.25/946	48.875/1241	67.4375/1713
18CP9	.6	9	54	15/381	19/482	25.19/640	32.31/821

CP - Pressure application
 CV - Vacuum

Information on this page is subject to change without notice. For additional information on this and other Shick Tube-Veyor products and services, please call Shick directly or your local representative.

REPRESENTED BY:

HEADQUARTERS:

Shick Tube-Veyor Corporation
 4346 Clary Blvd.
 Kansas City, Mo 64130
 Tel: (816) 861-7224 / Fax: (816) 921-1901

Shick Tube-Veyor Asia Pacific PTE LTD
 Blk 5000 Ang Mo Kio Ave 5 #05-07
 Techplace II
 Singapore 569870
 Tel: (65) 64824600 / Fax: (65) 64818255
 www.shickusa.com

