

INFORMATION

SHICK TUBE-VEYOR CORPORATION'S Butterfly Valves are available in two different models. For non-abrasive applications, Shick provides an O-ring damper which effectively seals the flow of dry powdered materials. A machined, beveled damper is available to seal the flow of granular materials and some semi-abrasive materials. Shick's Butterfly Valves are typically used during filling and scaling operations or to seal off the flow of air or material.

FEATURES

POSITIVE SEAL - Machined inner face and resilient O-ring guarantee a positive seal for material insuring years of dependable operation.

QUICK ACTING - Quick-acting cylinder actuates internal damper quickly and effectively for accurate scaling.

CONSTRUCTION - Cast aluminum housing is designed for long life.

STAINLESS STEEL LINING - Optional stainless lining for appropriate sanitary or abrasive applications.

NEMA - 4 & 9 standard, 4X and 7 available.

PROOF-POSITIVE VALVE POSITION - Dual limit switch configuration provides assurance of complete actuation of cylinder.

FREE FLOW DESIGN - Completely opened or closed.

FLANGE LOCATING HOLES - Provide quick and proper alignment of valve during installation.



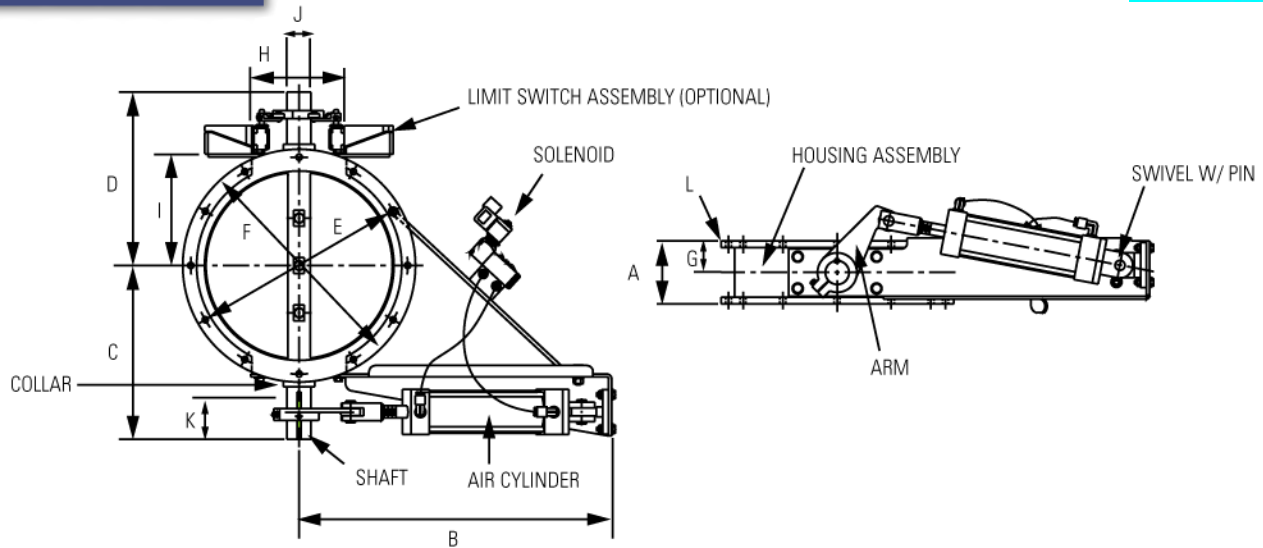
BUTTERFLY VALVE

Packaging - Processing
Bid on Equipment
1-847-854-8577
www.bid-on-equipment.com

SHICK TUBE-VEYOR CORPORATION

4346 Clary Boulevard • Kansas City, Missouri 64130 • P (816) 861-7224 • F (816) 921-1901

SCHEMATICS



DIMENSIONS

Size	Weight* Lbs.	# of Holes	A inch/mm	B inch/mm	C inch/mm	D inch/mm	E inch/mm	F inch/mm	G inch/mm	H inch/mm	I inch/mm	J inch/mm	K inch/mm	L inch/mm
8"	36	8	4.5/114	15.25/387	9/229	9/229	9.75/248	11/279	2.25/57	6/152	5/127	1.5/38	3/76	.75/19
12"	55	12	4.5/114	15.25/387	11/279	11/279	13.75/349	15/381	2.25/57	8/203	6.5/165	1.5/38	3/76	.75/19
16"	74	12	4.5/114	15.25/387	13/330	13/330	17.75/451	18.75/476	2.25/57	8/203	9/229	1.5/38	3/76	.75/19
20"	96	12	4.5/114	20.4/508	16/406	16/406	21.75/552	23/584	2.25/57	8/203	11.5/292	1.5/38	3/76	.75/19

* Complete units.

OPTIONS FOR

DAMPER - 304 S/S or 316 S/S damper and shaft.

LINER - 304 S/S or 316 S/S

GASKET - Various materials supplied as requested

NOTES:

1. Compressed, clean, dry air requirements is 80 to 125 PSIG.
2. Units typically supplied with air cylinder, solenoid, and limit switches.
3. Electrical impulse can be relayed by a level switch, pressure or vacuum switch or other applicable electrical device.
4. When electrical signal is interrupted, the valve returns to the predetermined rest position.
5. Gasket Kit supplied with white Rubatex FDA approved gasket, bolts and washers.

HEADQUARTERS:

Shick Tube-Veyor Corporation
 4346 Clary Boulevard, Kansas City, MO 64130
 P (816) 861-7224 / F (816) 921-1901

Shick Tube-Veyor Asia Pacific PTE LTD
 32 Ang Mo Kio Industrial Park 2
 #02-03 Sing Industrial Complex, Singapore 569510
 Tel: (65) 4824600 Fax: (65) 4818255

Information on this page is subject to change without notice. For additional information on this and other Shick Tube-Veyor products and services, please call Shick directly or your local representative.

REPRESENTED BY:

