

INFORMATION

SHICK TUBE-VEYOR CORPORATION'S new bag dump is used to unload bags of dry ingredients and move product directly into the pneumatic conveying line or other processes with ease and efficiency. Features of the unique design include a hopper without dead spaces or corners and a gas spring assisted door that makes unloading easy. In addition, cartridge replacement is fast and simple thanks to the patent-pending, air-actuated cartridge filter sealing mechanism which is not exposed to the material contact area.



BAG DUMP

FEATURES

SANITARY DESIGN - The sealing mechanism on the cartridge filters is not exposed to the material contact area. The hopper is free of dead spaces and corners. Sanitary pipe legs are standard.

FAST CARTRIDGE REPLACEMENT - The air actuated cartridge filter sealing mechanism makes cartridge replacement quick and easy.

INSTRUMENT PANEL INCLUDES -
0-15" w.c. differential pressure gauge to monitor the condition of the filter cartridges.

0-160 psi supply air pressure gauge.

On/off switch for cartridge sealing mechanism.

EASY OPEN AND CLOSE - Gas spring assisted door and low profile design ease bag unloading.

PTFE COATING Dupont Teflon® coating on filters.



SHICK TUBE-VEYOR CORPORATION

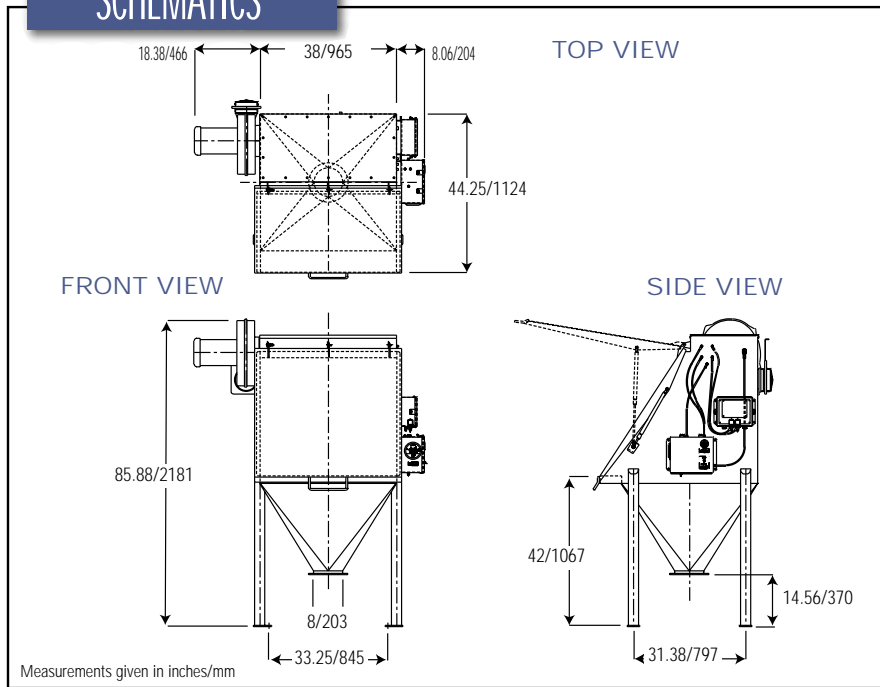
4346 Clary Boulevard • Kansas City, Missouri 64130 • P (816) 861-7224 • F (816) 921-1901

Packaging - Processing
Bid on Equipment

1-847-854-8577

www.bid-on-equipment.com

SCHEMATICS



STANDARD MATERIALS

304 stainless steel
2B interior finish
Bead blasted exterior finish

NOTES:

1. Required 80-90 psi air pressure
2. Air consumption: 3 SCFM

DIMENSIONS & SPECIFICATIONS

Dump Height: 42"/1067mm
Unit Height: 85.88"/2181mm
Hopper Size: 38" x 38" x 25.44" /
965 x 965 x 464mm
Hopper Slope: 58°
Weight: 1065 lbs./484 kg
Cloth area: 90 sq. ft.

SPECIFICATIONS

- Air pulse control timer in NEMA 4X box
- Fan: 1000 SCFM at 6" w.c. static pressure; 3 HP TEFC direct drive fan with adjustable outlet damper and guard
- Removable bar grate
- 8" diameter flanged outlet
- Sanitary pipe legs standard
- Hopper vibrator pad standard



Top: Interior view of cartridges with patent-pending cartridge sealing mechanism.

Below, left to right: optional split-door configuration; side mounted fan; NEMA 4X instrument box.

OPTIONS

- Hopper vibrator or aeration
- Custom hopper designs
- Custom finishes

PATENT-PENDING



HEADQUARTERS:

Shick Tube-Veyor Corporation
4346 Clary Blvd.
Kansas City, Mo 64130
Tel: (816) 861-7224 / Fax: (816) 921-1901
Shick Tube-Veyor Asia Pacific PTE LTD
Blk 5000 Ang Mo Kio Ave 5 #05-07
Techplace II
Singapore 569870
Tel: (65) 4824600 / Fax: (65) 4818255
www.shicktube.com

Information on this page is subject to change without notice. For additional information on this and other Shick Tube-Veyor products and services, please call Shick directly or your local representative.

REPRESENTED BY:



BD L00 5K