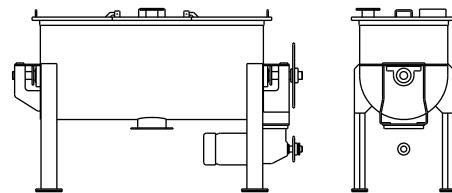


THE PNEUMATIC CONVEYING PEOPLE

SEMCO-TBS



TO CONTACT A SEMCO-TBS REPRESENTATIVE, PLEASE CALL 1-800-730-5859 OR VISIT US ONLINE AT WWW.SEMCOTBS.COM AND INFO@SEMCO-TBS.COM

RIBBON BLENDER

OUR R-SERIES RIBBON BLENDER USES COUNTER FLOW HELICOID FLIGHTS MOUNTED ON A LARGE DIAMETER SHAFT ENSURING GENTLE, POSITIVE HIGH SPEED MIXING IN A RIGID INTEGRAL ALL WELDED UNIT



OUTSTANDING FEATURES:

- HEAVY GAUGE, ALL STAINLESS STEEL SHELL WITH WELDED END PLATES - SANITARY DESIGN
- HELICAL GEAR MOTOR DRIVE MAKES MOST EFFICIENT USE OF INPUT HORSEPOWER WITH COMPLETELY ENCLOSED STAINLESS STEEL CHAIN GUARD
- AIR PURGE SHAFT SEALS STANDARD
- FULL HEAVY GAUGE COVER
- HINGED SECTIONAL DOORS
- 2-B FINISH STANDARD
- ALL MACHINES SUPPLIED C/W COVERS, MOTORS, DRIVES & GUARDS INSTALLED - NO EXTRAS TO BUY

OPTIONS AVAILABLE:

- DISCHARGE BUTTERFLY VALVE
- DISCHARGE SIDEGATE VALVE
- PACKING GLAND SEALS AVAILABLE
- 4-B FINISH AVAILABLE

Packaging - Processing

Bid on Equipment

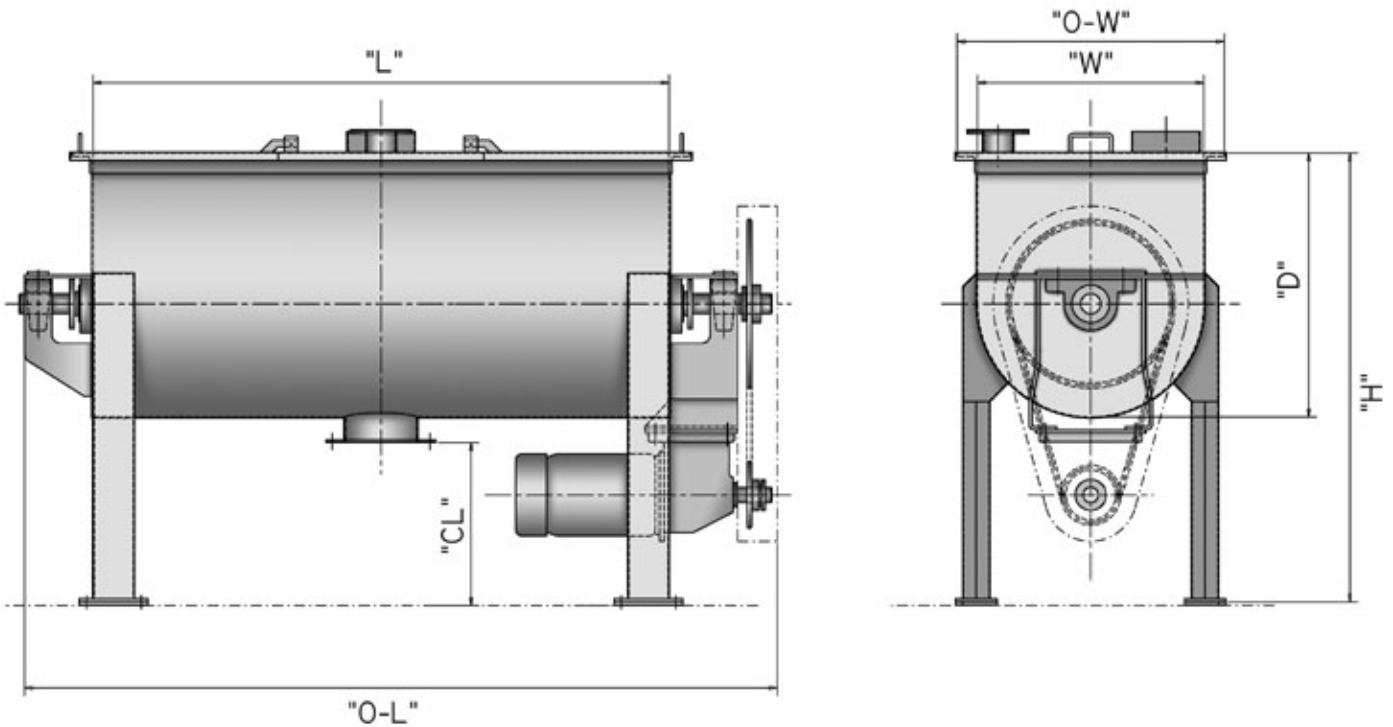
1-847-683-7720

www.bid-on-equipment.com



WE OFFER A COMPLETE LINE OF COMPONENTS FOR BULK MATERIAL HANDLING SYSTEMS WHICH INCLUDES: STORAGE SILOS, ROTARY VALVES, BLOWER PACKAGES, DIVERTER VALVES AND DUST COLLECTORS. DETAILED BULLETINS ON THESE AND OTHER COMPONENTS ARE AVAILABLE UPON REQUEST OR VISIT WWW.SEMCOTBS.COM

RIBBON BLENDER SPECIFICATIONS



SPECIFICATIONS

MODEL No.	FT ³	M ³	HP	RPM	W	L	D	O-L	O-W	CL	HT
R-3	3	0.085	1	60	14	35	17	55	18	24	45
R-6	6	0.17	2	55	17.5	44	20.5	65	22	30	55
R-9	9	0.25	3	50	20	48	23.5	70	25	36	64
R-15	15	0.42	5	48	24	60	28	84	30	42	74
R-23	23	0.65	7.5	45	27	68	31.5	92	33	42	78
R-30	30	0.85	10	42	30	72	35	94	36	42	82
R-45	45	1.27	15	40	33	84	38.5	108	40	42	85
R-60	60	1.7	20	35	36.5	92	42.5	116	44	42	90
R-75	75	2.12	25	32	40	94	47	120	47	42	94
R-90	90	2.55	30	30	42	104	49	130	49	42	96
R-120	120	3.4	40	27	48	120	56	145	56	42	102

ALL DIMENSIONS SUBJECT TO CHANGE WITHOUT NOTICE