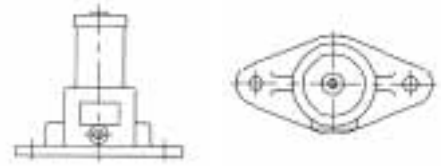


THE PNEUMATIC CONVEYING PEOPLE

SEMCO-TBS



TO CONTACT A SEMCO-TBS REPRESENTATIVE, PLEASE CALL 1-800-730-5859
OR VISIT US ONLINE AT WWW.SEMCOTBS.COM AND INFO@SEMCO-TBS.COM

I-2 IMPACTOR



OPERATION DATA:

- THE IMPACTOR CAN OPERATE EFFECTIVELY AND BE MOUNTED IN ANY POSITION. THE THREWAY SOLENOID VALVE USED WITH THE IMPACTOR SHOULD BE REMOTELY MOUNTED
- A DAMPER PAD OF HARD POLYURETHANE MINIMIZES NOISE AND PROTECTS THE PISTON FROM DAMAGE
- CLEAN, DRY PLANT AIR (80-120 P.S.I.) IS REQUIRED FOR OPERATION. AN AIRLINE FILTER AND A LUBRICANT SHOULD BE INSTALLED ON THE AIR SUPPLY LINE
- FIVE IMPACTS PER MINUTE REQUIRES 1 CFM OF AIR AT 80 P.S.I.

TYPES OF CONTROLS:

- A) MANUAL SELECTION OPERATION - A SPRING RETURN SWITCH FOR EACH SINGLE IMPACT DESIRED
- B) ON-OFF SWITCH OPERATION - AN ADJUSTABLE TIMER IS PROVIDED TO AUTOMATICALLY PULSE THE CONTROL CIRCUIT
- C) MECHANICAL OPERATION - A MANUAL AIR CONTROL VALVE MUST BE ACTUATED FOR EACH IMPACT DESIRED

Packaging - Processing

Bid on Equipment

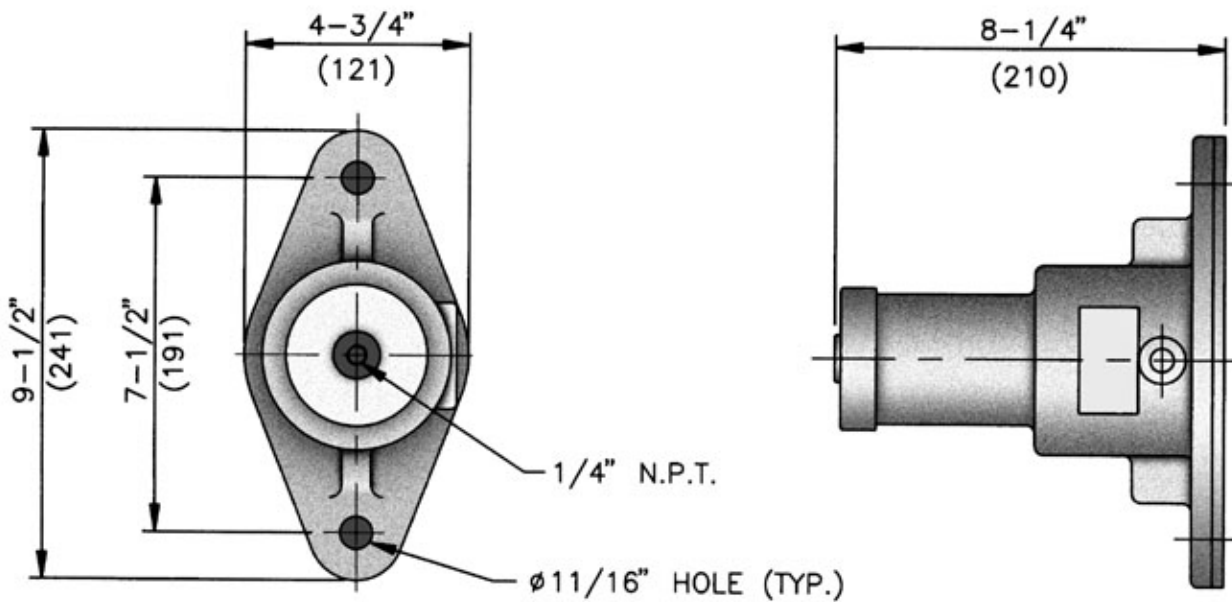
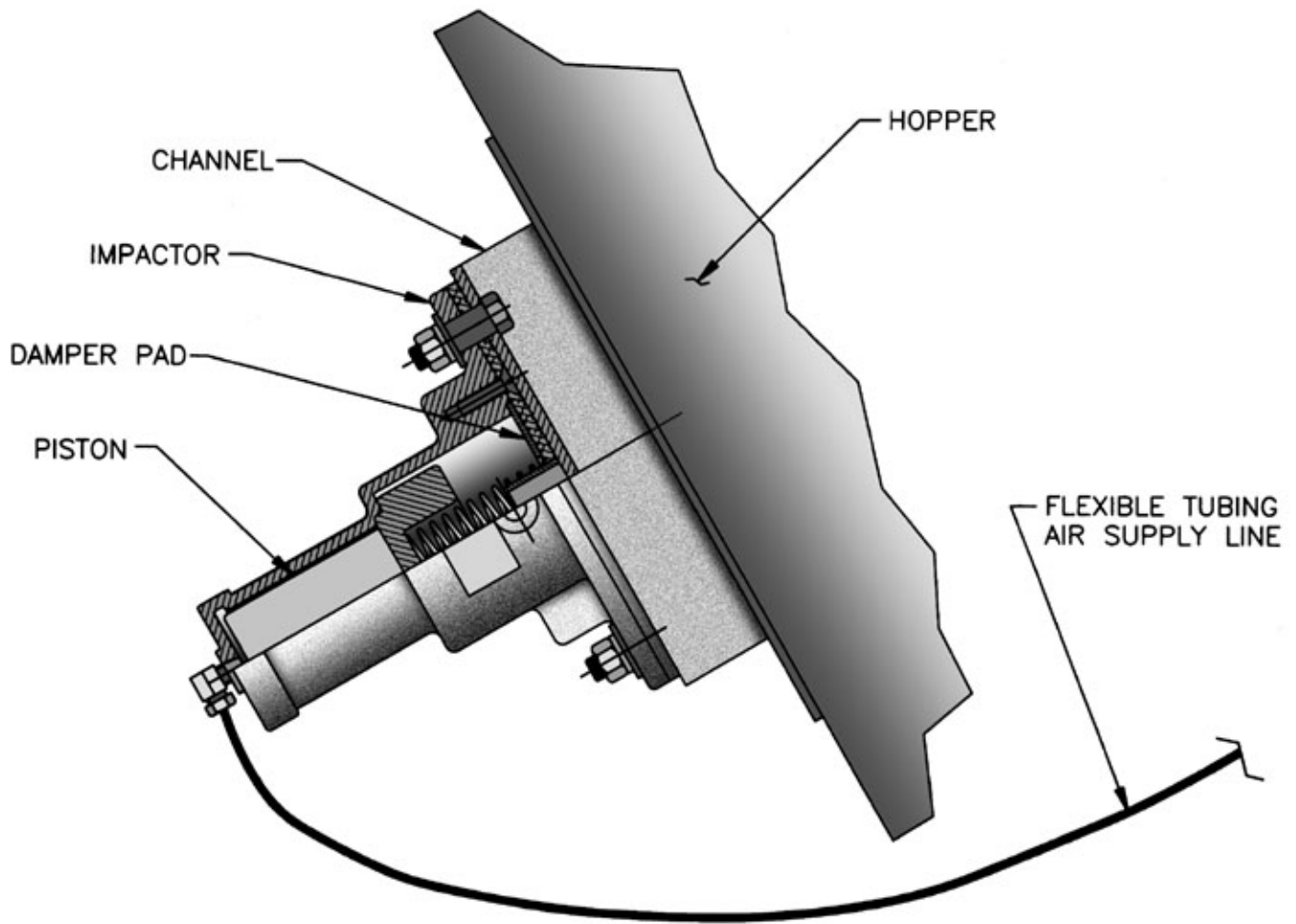
1-847-683-7720

www.bid-on-equipment.com



WE OFFER A COMPLETE LINE OF COMPONENTS FOR BULK MATERIAL HANDLING SYSTEMS WHICH INCLUDES: STORAGE SILOS, ROTARY VALVES, BLOWER PACKAGES, DIVERTER VALVES AND DUST COLLECTORS. DETAILED BULLETINS ON THESE AND OTHER COMPONENTS ARE AVAILABLE UPON REQUEST OR VISIT WWW.SEMCOTBS.COM

IMPACTOR SPECIFICATIONS



ALL DIMENSIONS SUBJECT TO CHANGE WITHOUT NOTICE