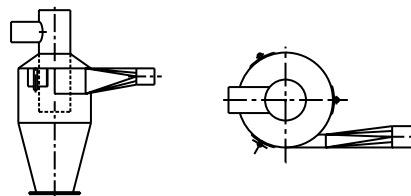


THE PNEUMATIC CONVEYING PEOPLE

# SEMCO-TBS



TO CONTACT A SEMCO-TBS REPRESENTATIVE, PLEASE CALL 1-800-730-5859  
OR VISIT US ONLINE AT [WWW.SEMCOTBS.COM](http://WWW.SEMCOTBS.COM) AND [INFO@SEMCOTBS.COM](mailto:INFO@SEMCOTBS.COM)

## HIGH EFFICIENCY CYCLONE



THE HIGH EFFICIENCY CYCLONE CAN BE USED AS A PRIMARY PNEUMATIC RECEIVER FOR EFFICIENT MATERIAL SEPARATION OF PARTICLES TO 20 MICRONS

### OUTSTANDING FEATURES:

- INLET AND OUTLET CONNECTIONS CAN BE SUPPLIED WITH SANITARY FERRULES OR FLANGES TO MATE TO SEMCO-TBS AIRLOCK VALVES

### OPTIONS AVAILABLE:

- AVAILABLE IN CARBON STEEL, ALUMINUM OR STAINLESS STEEL CONSTRUCTION
- CAN BE CUSTOM DESIGNED FOR QUICK CLEANOUT OR SANITARY CONSTRUCTION
- VORTEX BOX

Packaging - Processing

**Bid on Equipment**

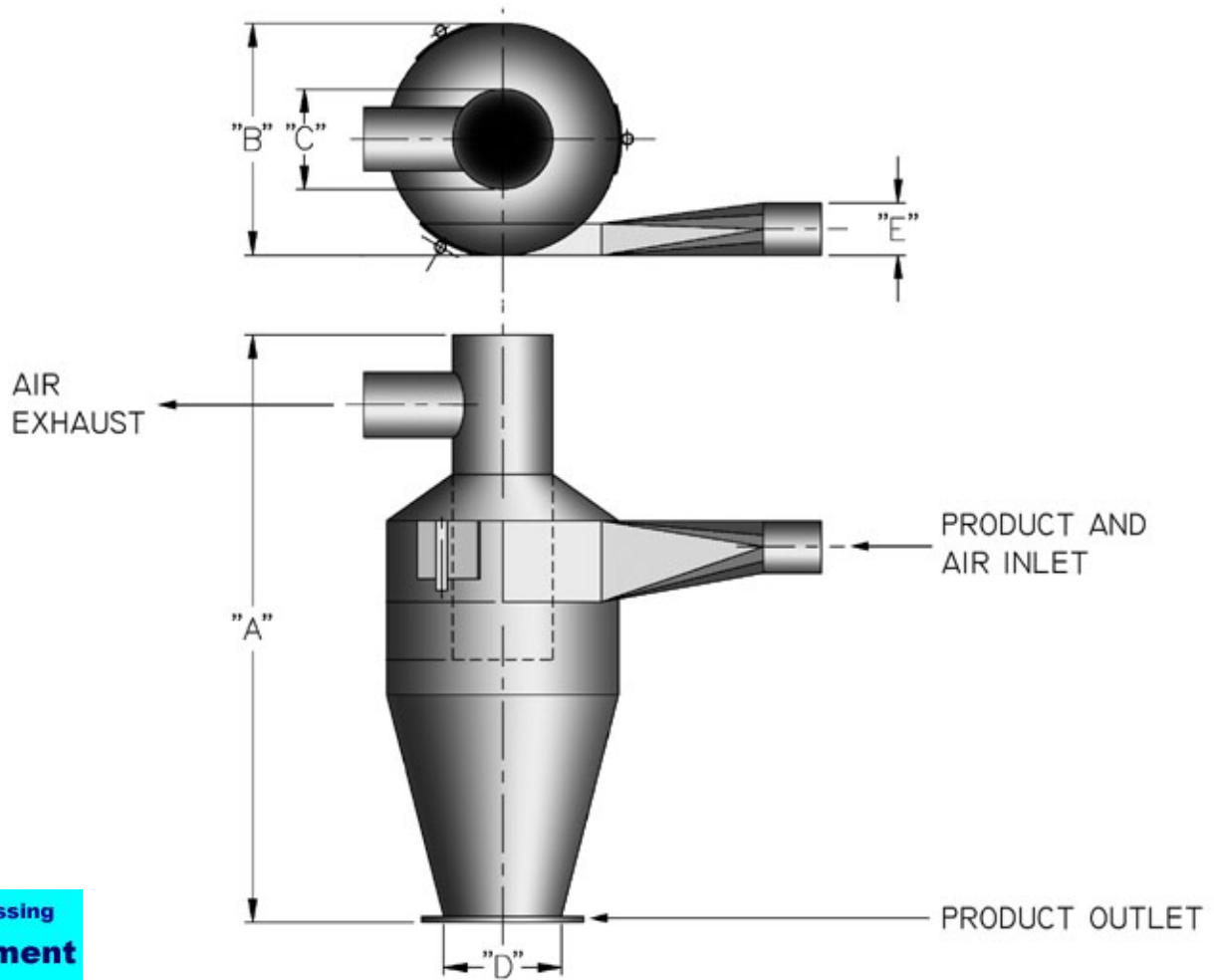
1-847-683-7720

[www.bid-on-equipment.com](http://www.bid-on-equipment.com)



WE OFFER A COMPLETE LINE OF COMPONENTS FOR BULK MATERIAL HANDLING SYSTEMS WHICH INCLUDES: STORAGE SILOS, ROTARY VALVES, BLOWER PACKAGES, DIVERTER VALVES AND DUST COLLECTORS. DETAILED BULLETINS ON THESE AND OTHER COMPONENTS ARE AVAILABLE UPON REQUEST OR VISIT [WWW.SEMCOTBS.COM](http://WWW.SEMCOTBS.COM)

# HIGH EFFICIENCY CYCLONE



**Packaging - Processing**  
**Bid on Equipment**  
 1-847-683-7720  
[www.bid-on-equipment.com](http://www.bid-on-equipment.com)

SPECIFICATIONS							IN (MM)
MODEL	RANGE OF CFM	A	B	C AIR OUTLET	D	E RANGE OF INLET SIZE O.D.	
HEC 250	150 - 250	31 1/2 (800)	12 (305)	5 (127)	6 (153)	2 3/8 - 4 (60-102)	
HEC 450	250 - 450	42 (1067)	16 (406)	6 5/8 (168)	8 (203)	3 - 5 (76-127)	
HEC 800	450 - 800	53 (1346)	20 (508)	8 5/8 (219)	10 (254)	4 - 6 5/8 (102-168)	
HEC 1300	800 - 1300	65 (1651)	24 (610)	10 3/4 (273)	10 (254)	5 - 8 5/8 (127-219)	
HEC 2100	1300 - 2100	84 (2134)	32 (813)	12 3/4 (324)	12 (305)	6 5/8 - 10 3/4 (168-273)	

ALL DIMENSIONS SUBJECT TO CHANGE WITHOUT NOTICE