

## The Ultimate Solution for Automated Void Containment



These images illustrate the process outside of the *Tray Forming, Wedging and Lidding Modules*.



Products placed.



Wedge automatically sealed in place - locking products in place.



Invoice automatically placed (optional).



Lid automatically sealed in place.

# Ultipack® Automated Void Containment System

A Void Containment Solution for Void Fill Applications

## Ideal for Fulfilment Applications

The Ultipack® System is designed for fulfilment operations where the goal is to minimize costs - shipping, consumables, and operating - while optimizing productivity.

One Ultipack® system can support multiple pick stations while reducing the overall number of packers.

The Ultipack® System can be integrated with all ERP/WMS system software and any warehouse equipment (conveyors, printers, scales, sorters, etc.). The system can also operate in stand-alone mode.

## Cost Savings

### Savings on Operations

- Tray forming, wedging, and lidding process is automated and high throughput.
- Picking is more productive in trays than in RSCs.

### Savings on Materials

- The wedge cost is half that of traditional void fill material.
- For most box sizes, the tray and lid package costs less than a RSC.
- Ultipack® materials can be sourced from local suppliers.

### Savings on Reduced Return Ratio

- The Ultipack® wedge increases box strength adding product protection.
- The glued pack is securely sealed and tamper-evident.
- The protection is consistent and efficient regardless of the production speed, whatever the box filling rate or product mix.

## Enhanced Image

### Good Environmental Profile

The 100% corrugated package is “curb-side” recyclable.

### Impressive Package

The finished appearance of the package enhances brand image.

### Unique Packaging Possibilities

The three pieces of the package can be printed differently.

### Easy to Open

The built-in tear strip makes opening an easy pull.

Packaging - Processing

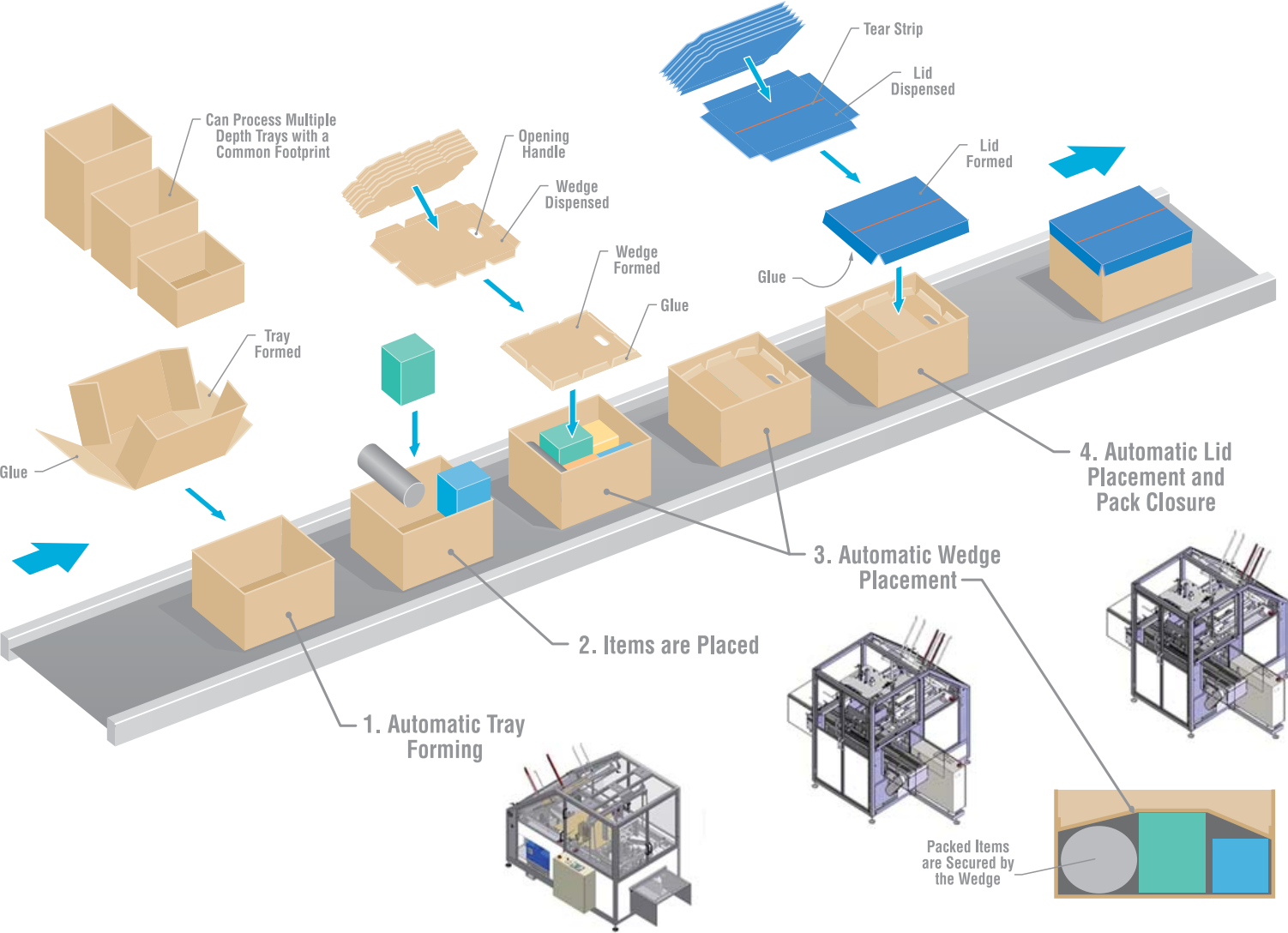
**Bid on Equipment**

1-847-683-7720

[www.bid-on-equipment.com](http://www.bid-on-equipment.com)

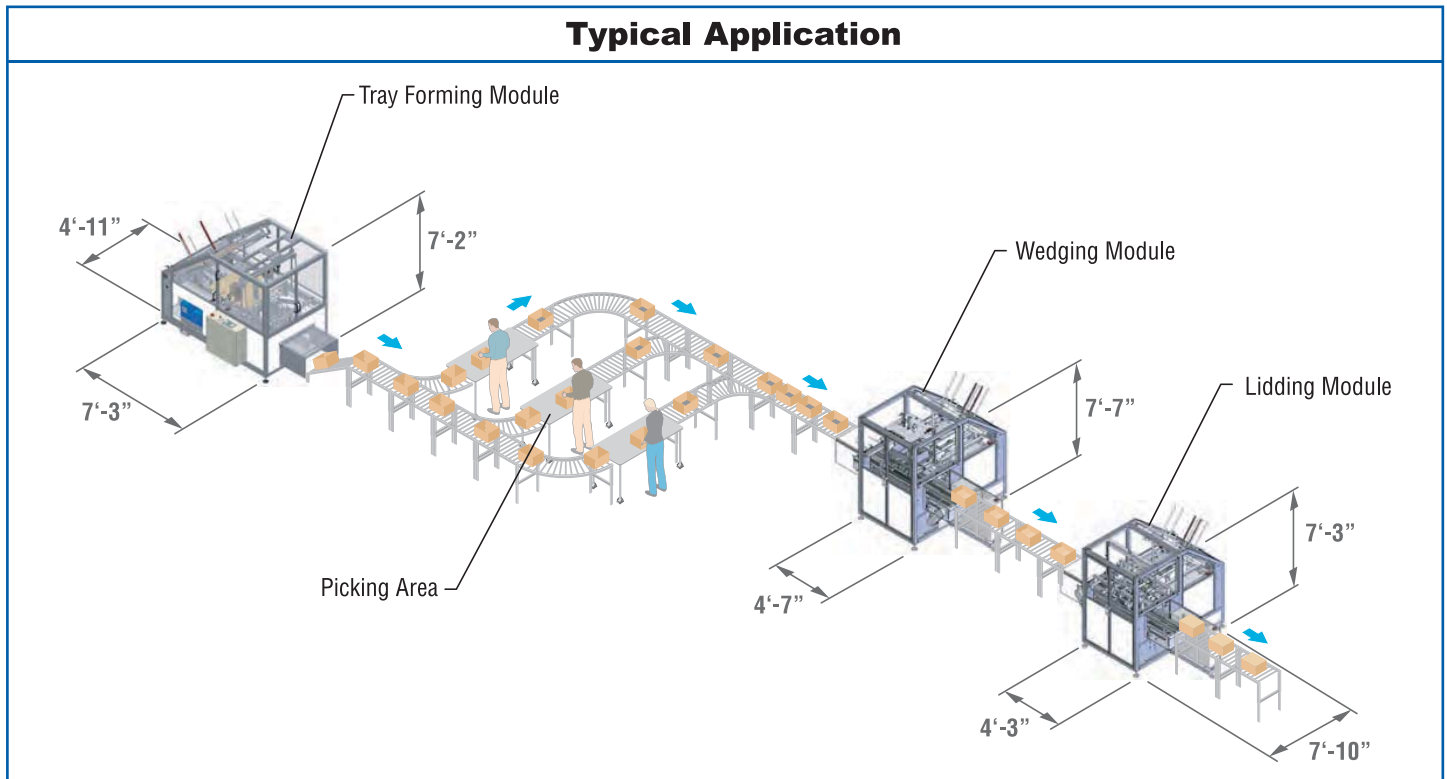
# Ultipack<sup>®</sup> Process

(Shown outside of the Tray Forming, Wedging, and Lidding Modules)



# Ultipack® Automated Void Containment System

A Void Containment Solution for Void Fill Applications



## Reliability

The Ultipack® system is safe, reliable, and designed in accordance with CE European Directives.

The Ultipack® system is compliant for North America and is tested and certified for compliance by a National Recognized Testing Laboratory (NRTL).



Specifications / Requirements					
	Throughput	Dimensions (LxWxH)	Weight	Electrical Req.	Air Req.
<b>Tray Forming Module</b>	18-24 trays / min	7'-3" x 4'-11" x 7'-2"	3,000 lbs.	230 or 460 VAC ~3 Phase 10 Amp 50/60 Hz	87 psi 4 cfm
<b>Wedging Module</b>	8-10 wedges / min	7'-3" x 4'-7" x 7'-7"	3,000 lbs.	230 or 460 VAC ~3 Phase 10 Amp 50/60 Hz	87 psi 29 cfm
<b>Lidding Module</b>	8-18 lids / min	7'-10" x 4'-3" x 7'-3"	3,000 lbs.	230 or 460 VAC ~3 Phase 10 Amp 50/60 Hz	87 psi 5 cfm



Automated Packaging  
7110 Santa Fe Drive  
Hodgkins, IL 60525  
800-634-1226 Fax: 708-352-8721  
www.sealedairautomation.com

Our Products Protect Your Products®

**Packaging - Processing**  
**Bid on Equipment**  
1-847-683-7720  
www.bid-on-equipment.com

Corporate Office: Sealed Air Corporation (US)  
200 Riverfront Boulevard, Elmwood Park, NJ 07407 www.sealedair.com  
© Reg. U.S. Pat. & TM Off. © Sealed Air Corporation (US) 2008. All rights reserved. Printed in the U.S.A.  
The "9 Dot Logo" and "Sealed Air" are registered trademarks of Sealed Air Corporation (US).

Manufactured and Patented by **B\*Equipment**