

# OEM SOLUTIONS

The “Standard” for all automatic print & apply Labeling



## M8459Se - Direct Thermal OEM Printer

The industrial OEM high-speed printers are ideal for a range of applications, including:

-  **Compliance Labeling**
-  **Warehouse Logistics**
-  **Pallet Tracking**
-  **Retail Labeling**
-  **Product Authentication**
-  **Cross-Docking**
-  **Shipping Labels**

### Throughput

The M8459Se continues to set the benchmark for Direct Thermal OEM printer performance in automatic label applicator systems. Utilizing the latest in 32-bit microprocessor technology, along with 16 MB of standard RAM, the M8459Se provides virtually instantaneous “time to first label out”.

### Interchangeable

The height, width and location of mounting holes are identical to earlier SATO OEM print engines, making it easy to upgrade to the M8459Se. Plus, the M8459Se is compatible with the programming commands of the M8459S, making it a simple drop-in replacement.

### Host Interface Flexibility

Designed with a modular interface slot, the M8459Se allows for a wide variety of interface options to be easily installed and field upgraded. These bi-directional interfaces include a high-speed IEEE1284 Parallel (ECP), RS232C Serial, 10BaseT/100BaseTX Ethernet and 802.11g Wireless Ethernet.

### Legendary Reliability

Your labeling application is demanding and uptime is paramount. The M8459Se was designed to provide reliable performance over extended periods of time. It was specifically developed as a high-duty cycle applicator print engine...it is not a repackaged desktop printer. Even the heavy gauge steel enclosure was designed for production environments. Yet, internal access for maintenance is simple.



# SPECIFICATIONS

**Packaging - Processing**  
**Bid on Equipment**  
 1-847-683-7720  
[www.bid-on-equipment.com](http://www.bid-on-equipment.com)



**Printing Method**  
**Print Resolution**  
**Print Speed**  
**Max. Print Area**  
**Media Size**  
**Dimensions**  
**Weight**

M8459Se	
Printing Method	Direct Thermal
Print Resolution	203 dpi (8 dots/mm)
Print Speed	Up to 5"/s (125mm/s)
Max. Print Area	4.4" (112mm) W x 49.2" (1249mm) L
Media Size	Max. 5.27" (134mm) W Min. 1" (25mm) W x 0.24" (6mm) L
Dimensions	9.7" W x 16.1" D x 11.7" H (245mm W x 408mm D x 298 mm H)
Weight	25 lbs. (11.34 kg)

**Memory:**

16 MB Standard RAM  
 2 MB Standard Flash  
 1 MB PCMCIA - Optional  
 6 MB Optional Flash - Total

**Processor:**

32-BIT RISC

**Media:**

Die cut labels, plain paper facestock & synthetics.  
 Maximum unwind torque: 8 ft./lbs.

**Back feed:**

Adjustable,  $\pm 10"$  (255mm)

**Sensing:**

Transmissive sensor for die cut labels & tags.  
 Reflective sensor for use with preprinted sensing marks. Automatic, programmable setting to top of form.

**External Connector:**

Ext. (Applicator I/F): 14-pin Amp

**Plug-In Interface Modules:**

- Serial - RS232C (up to 57.6k bps)
- Parallel - IEEE1284 (ECP)
- Ethernet - 10BaseT/100BaseTX
- Wireless 802.11g
- RS422/485

**Barcode Symbolologies:**

**Linear:** UPC-A, UPC-E, EAN-8, EAN-13, Code 39, Code 93, Code 128, Codabar, MSI, Bookland, Industrial 2/5, Interleaved 2/5, Matrix 2/5, Postnet, UCC/EAN 128, RSS, Composite  
**2-Dimensional:** PDF417, Micro PDF417, Truncated PDF417, Maxicode, Data Matrix, QR Code

**Fonts:**

Bitmap - 12 proportional, mono-spaced and outline fonts (Code table 858). Internal CG Triumvirate & CG Times fonts scalable from 2 to 99 points. Optional downloaded TrueType fonts.

**Barcode & Font Formatting:**

360° rotation of barcodes and text, character expansion horizontally and vertically, sequential numbering, form overlay for high-speed editing of complex formats.

**Graphic Support:**

Printing & storage of .PCX, .BMP format, SATO Hex/binary

**Software:**

Windows® Drivers (Windows® 95, 98, ME, NT4.0, 2000, XP)  
 "Label Gallery Free" - Label Software  
 Printer Utilities

**Electrical Requirements:**

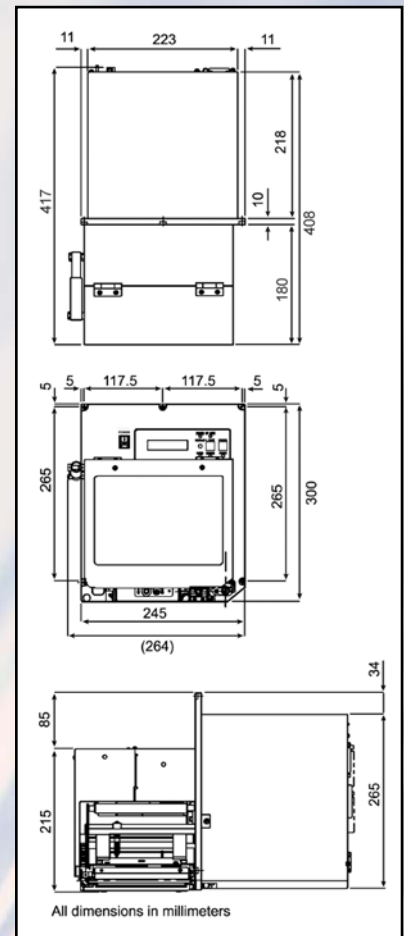
115V/220V ( $\pm 10\%$ ), 50/60 Hz ( $\pm 1\%$ )  
 Auto-switching  
 Agency Certifications: CE, UL, CSA, TÜV, FCC Class A

**Environmental Requirements:**

Operating: 41° to 104°F (5° to 40°C)  
 15-85% RH, non-condensing  
 Storage: 23° to 140°F (-5° to 60°C)  
 Max. 90% RH, non-condensing

**Other Features:**

- Standard Real Time Clock
- Optional 4 MB Flash Memory



**SATO**  
 DCS & Labeling Worldwide

**SATO America, Inc.**

10350-A Nations Ford Road, Charlotte, NC 28273  
 Phone: (704) 644-1650 Fax: (704) 644-1662  
 E-mail: [satosales@satoamerica.com](mailto:satosales@satoamerica.com)

[www.satoamerica.com](http://www.satoamerica.com)