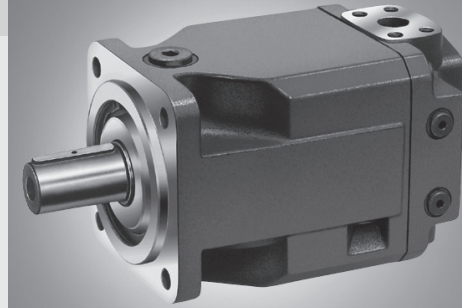


# Fixed Displacement Motor A4FM

**RE 91 120/04.00**  
replaces: 03.95  
and RE 91 100

for open and closed circuits

Sizes 22...500  
Series 1, Series 3  
Nominal pressure up to 400 bar  
Peak pressure up to 450 bar



## Index

Features  
Ordering Code  
Technical Data  
Installation and Commissioning Guidelines  
Flow and Output Torque  
Unit Dimensions, Sizes 22, 28  
Unit Dimensions, Size 40  
Unit Dimensions, Size 56  
Unit Dimensions, Size 71  
Unit Dimensions, Size 125  
Unit Dimensions, Size 250

## Features

- 1 – Axial Piston Fixed Displacement Motor A4FM of swashplate design is used in open and closed loop circuits for hydrostatic drives.
- 2
- 3...5
- 4 – Output speed is proportional to input flow and inversely proportional to motor displacement.
- 6 – Output torque increases with the pressure drop across the motor between the high and low pressure sides.
- 7
- 8 – Long service life, optimum efficiencies
- 9 – Compact design for special applications where A2FM cannot be applied
- 10
- 11 – Proven rotary group in swashplate-technology
- 12

## Ordering Code

|            |          |   |          |   |  |  |  |  |  |
|------------|----------|---|----------|---|--|--|--|--|--|
| <b>A4F</b> | <b>M</b> | / | <b>W</b> | - |  |  |  |  |  |
|------------|----------|---|----------|---|--|--|--|--|--|

### Hydraulic fluid

|   |           |
|---|-----------|
| Mineral oil, HFD (no code)                          |           |
| HFA, HFB, HFC-Hydraulic fluid (only sizes 71...500) | <b>E-</b> |

### Axial piston unit

|                                       |            |
|---------------------------------------|------------|
| Swashplate design, fixed displacement | <b>A4F</b> |
|---------------------------------------|------------|

### Mode of operation

|       |          |
|-------|----------|
| Motor | <b>M</b> |
|-------|----------|

### Size

|   |           |           |           |           |           |            |            |            |
|---|-----------|-----------|-----------|-----------|-----------|------------|------------|------------|
| ≙ Displacement $V_g$ (cm <sup>3</sup> ) | <b>22</b> | <b>28</b> | <b>40</b> | <b>56</b> | <b>71</b> | <b>125</b> | <b>250</b> | <b>500</b> |
|   | ●         | ●         | ●         | ●         | ●         | ●          | ●          | ○          |

### Series

|                          |          |
|--------------------------|----------|
| Sizes 22...56, 125...500 | <b>3</b> |
| Size 71                  | <b>1</b> |

### Index

|                |          |
|----------------|----------|
| Sizes 22...56  | <b>2</b> |
| Sizes 71...500 | <b>0</b> |

### Direction of rotation

|                     |             |          |
|---------------------|-------------|----------|
| Viewed on shaft end | alternating | <b>W</b> |
|---------------------|-------------|----------|

### Seals

|  |                |          |
|--|----------------|----------|
| NBR (Nitril-caoutchouc), shaft sealing in FKM (Fluor-caoutchouc) | Sizes 22...56  | <b>N</b> |
|  | Sizes 71...500 | <b>P</b> |
| FKM (Fluor-caoutchouc)   | Sizes 71...500 | <b>V</b> |

### Shaft end

|                            | <b>22</b> | <b>28</b> | <b>40</b> | <b>56</b> | <b>71</b> | <b>125</b> | <b>250</b> | <b>500</b> |          |
|----------------------------|-----------|-----------|-----------|-----------|-----------|------------|------------|------------|----------|
| Splined shaft SAE          | ○         | ○         | -         | -         | -         | -          | -          | -          | <b>S</b> |
| Splined shaft SAE          | ●         | ●         | -         | -         | -         | -          | -          | -          | <b>T</b> |
| Splined shaft DIN 5480     | -         | -         | ●         | ●         | ●         | ●          | ●          | ○          | <b>Z</b> |
| Parallel with key DIN 6885 | -         | -         | -         | -         | ●         | ●          | ●          | ○          | <b>P</b> |

### Mounting flange

|            | <b>22</b> | <b>28</b> | <b>40</b> | <b>56</b> | <b>71</b> | <b>125</b> | <b>250</b> | <b>500</b> |          |
|------------|-----------|-----------|-----------|-----------|-----------|------------|------------|------------|----------|
| SAE 2-hole | ●         | ●         | ●         | ●         | -         | -          | -          | -          | <b>C</b> |
| ISO 4-hole | -         | -         | -         | -         | ●         | ●          | ●          | -          | <b>B</b> |
| ISO 8-hole | -         | -         | -         | -         | -         | -          | -          | ○          | <b>H</b> |

### Service line connections

|   | <b>22...40</b> | <b>56</b> | <b>71...500</b> |           |
|---|----------------|-----------|-----------------|-----------|
| Ports A, B: SAE at rear (with metric fixing screws)                     | -              | ●         | ●               | <b>01</b> |
| Ports A, B: SAE at side (on opposite sides) (with metric fixing screws) | ●              | -         | ●               | <b>02</b> |

- = available
- = available on enquiry
- = not available

## Technical Data

### Fluid

We request that before starting a project detailed information about the choice of pressure fluids and application conditions are taken from our catalogue sheets RE 90220 (mineral oil), RE 90221 (environmentally acceptable hydraulic fluids) and RE 90223 (fire resistance fluids, HF).

When using HF- or environmentally acceptable hydraulic fluids possible limitations for the technical data have to be taken into consideration. If necessary please consult our technical department (please indicate type of the hydraulic fluid used for your application on the order sheet).

The sizes 22..56 are not suitable for operation with HFA, HFB and HFC.

### Operation viscosity range

In order to obtain optimum efficiency and service life, we recommend that the operating viscosity (at operating temperature) be selected from within the range:

$$v_{\text{opt}} = \text{operating viscosity } 16 \dots 36 \text{ mm}^2/\text{s}$$

referred to the loop temperature (closed circuit) or tank temperature (open circuit).

### Viscosity limits

The limiting values for viscosity are as follows:

Size 22...56

$v_{\text{min}} = 5 \text{ mm}^2/\text{s}$ , short term at a max. permissible temp. of  $t_{\text{max}} = 115^\circ\text{C}$

$v_{\text{max}} = 1600 \text{ mm}^2/\text{s}$ , short term on cold start ( $t_{\text{min}} = -40^\circ\text{C}$ )

Size 71...500

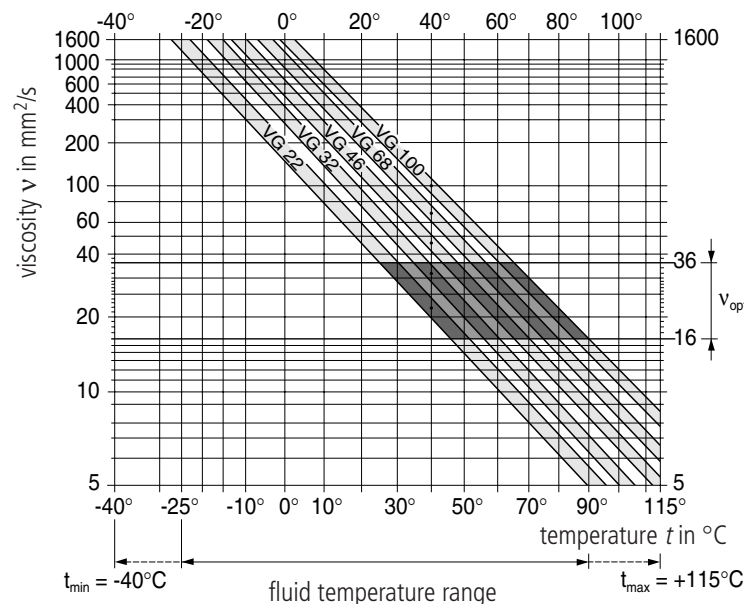
$v_{\text{min}} = 10 \text{ mm}^2/\text{s}$ , short term at a max. permissible drain temp.  $t_{\text{max}} = 90^\circ\text{C}$

$v_{\text{max}} = 1000 \text{ mm}^2/\text{s}$ , short term on cold start ( $t_{\text{min}} = -25^\circ\text{C}$ )

Please note that the max. fluid temperature is also not exceeded in certain areas (for instance bearing area).

At temperature of  $-25^\circ\text{C}$  up to  $-40^\circ\text{C}$  special measures may be required for certain installation positions, please contact us.

### Selection diagram



### Notes on the selection of the hydraulic fluid

In order to select the correct fluid, it is necessary to know the operating temperature in the loop (closed circuit) or the tank temperature (open circuit) in relation to the ambient temperature.

The hydraulic fluid should be selected so that within the operating temperature range, the operating viscosity lies within the optimum range ( $v_{\text{opt}}$ ) (see shaded section of the selection diagram). We recommend that the highest possible viscosity range should be chosen in each case.

Example: At an ambient temperature of  $X^\circ\text{C}$  the operating temperature is  $60^\circ\text{C}$ . Within the operating viscosity range ( $v_{\text{opt}}$ ; shaded area), this corresponds to viscosity ranges VG 46 or VG 68. VG 68 should be selected.

Important: The leakage oil (case drain oil) temperature is influenced by pressure and motor speed and is always higher than the circuit temperature. However, at no point in the circuit may the temperature exceed  $115^\circ\text{C}$  for sizes 22...56 or  $90^\circ\text{C}$  for sizes 71...500.

If it is not possible to comply with the above condition because of extreme operating parameters or high ambient temperatures we recommend housing flushing. Please consult us.

### Filtration

The finer the filtration the better the achieved purity grade of the pressure fluid and the longer the life of the axial piston unit. To ensure the functioning of the axial piston unit a minimum purity grade of:

9 to NAS 1638

18/15 to ISO/DIS 4406 is necessary.

At very high temperatures of the hydraulic fluid ( $90^\circ\text{C}$  to max.  $115^\circ\text{C}$ , not permissible for sizes 71...500) at least cleanliness class

8 to NAS 1638

17/14 to ISO/DIS 4406 is necessary.

If above mentioned grades cannot be maintained please consult supplier.

### Technical Data

valid for operation with mineral oils

#### Flushing of the bearings (Sizes 125...500)

operating conditions, flushing quantities and notes on bearing flushing see RE 92 050 (A4VSO).

#### Operating pressure range

Maximum pressure at port A or B (Pressure data to DIN 24312)

|                             |                   |          |
|-----------------------------|-------------------|----------|
| Size                        | 22...56           | 71...500 |
| Nominal pressure $p_N$ bar  | 400 <sup>1)</sup> | 350      |
| Peak pressure $p_{max}$ bar | 450 <sup>1)</sup> | 400      |

<sup>1)</sup> Size 28 with S-shaft: 315/350 bar

The sum of the pressures at ports A and B may not exceed 700 bar.

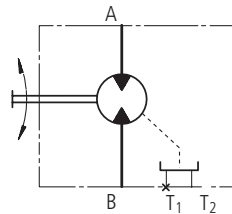
#### Direction of flow

|                    |                         |
|--------------------|-------------------------|
| clockwise rotation | anti-clockwise rotation |
| <b>A to B</b>      | <b>B to A</b>           |

#### Symbol

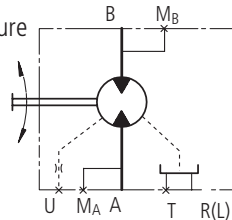
Size 22...56

A, B Service line ports  
T<sub>1</sub>, T<sub>2</sub> Case drain  
(1 port plugged)



Size 71...500

A, B Service line ports  
M<sub>A</sub>, M<sub>B</sub> Pressure gauge, working pressure  
T, R(L) Case drain, Air bleed  
(1 port plugged)  
U Flushing port  
(Sizes 71...500)



#### Case drain pressure

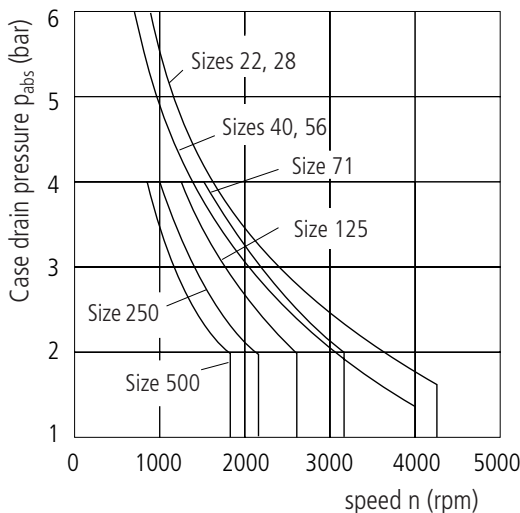
The max. permissible leakage pressure (housing pressure) is dependent on speed (see diagram). The pressure in the housing must be equal to or greater than the external pressure on the shaft sealing ring.

Max. leakage pressure (housing pressure)

$p_{abs. max.}$  \_\_\_\_\_ 6 bar (sizes 22...56)

\_\_\_\_\_ 4 bar (sizes 71...500)

A leakage line to the tank is necessary.



### Installation and Commissioning Guidelines

#### General

At start-up and during operation the motor housing has imperatively to be filled up with hydraulic fluid (filling of the case chamber). Start-up has to be carried out at low speed and without load till the system is completely bled.

At a longer standstill the case may discharge via operating line. At new start-up a sufficient filling of the housing has to be granted.

The leakage oil in the housing has to be discharged to the tank via highest positioned case drain port.

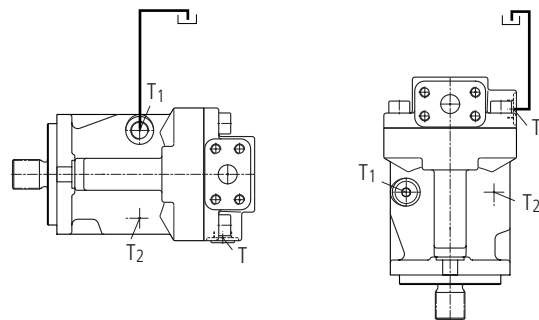
#### Installation position

- Sizes 22...56: Shaft horizontal or shaft down
- Sizes 71 (series1): Shaft horizontal, vertical installation position as to agreement
- Sizes 125...500: Optional, at vertical installation position bearing flushing is recommended at port U (as to RD 9205)

#### Installation below tank level

Motor below min. oil level in the tank (standard)

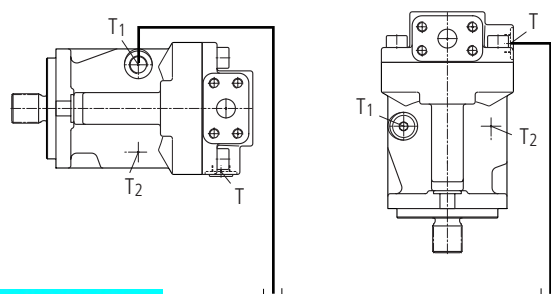
- Fill up axial piston motor before start-up via highest positioned case drain port
- Operate motor at low speed till motor system is completely filled up
- Minimum immersion depth of the drain line in the tank: 200mm (relative to the min. oil level in the tank).



#### Installation on top of tank level

Motor on top of min. oil level in the tank

- Actions as installation below tank level
- Note: installation position "drive shaft up" for sizes 22...56 not permissible



## Technical Data

valid for operation with mineral oil

**Table of values** (theoretical values, without considering  $\eta_{mh}$  and  $\eta_v$ ; values rounded)

| Size  |                             | 22     | 28     | 40     | 56     | 71                | 125               | 250                | 500                |
|---|-----------------------------|--------|--------|--------|--------|-------------------|-------------------|--------------------|--------------------|
| Displacement  | $V_g$ cm <sup>3</sup>       | 22     | 28     | 40     | 56     | 71                | 125               | 250                | 500                |
| Max. speed  | $n_{max\ continuous}$ rpm   | 4250   | 4250   | 4000   | 3600   | 3200              | 2600              | 2200               | 1800               |
|   | $n_{max\ interm.}^{1)}$ rpm | 5000   | 5000   | 5000   | 4500   | –                 | –                 | –                  | –                  |
| Max. flow (at $n_{max}$ )                                     | $q_{V\ max}$ L/min          | 93     | 119    | 160    | 202    | 227               | 325               | 550                | 900                |
| Torque constants  | $T_K$ Nm/bar                | 0,35   | 0,445  | 0,64   | 0,89   | 1,13              | 1,99              | 3,97               | 7,95               |
| Torque (at $\Delta p = 400$ bar)                              | $T_{max}$ Nm                | 140    | 178    | 255    | 356    | 395 <sup>2)</sup> | 696 <sup>2)</sup> | 1391 <sup>2)</sup> | 2783 <sup>2)</sup> |
| Filling volume  | L                           | 0,3    | 0,3    | 0,4    | 0,5    | 2,0               | 3,0               | 7,0                | 11,0               |
| Moment of inertia about drive axis                            | $J$ kgm <sup>2</sup>        | 0,0015 | 0,0015 | 0,0043 | 0,0085 | 0,0121            | 0,0300            | 0,0959             | 0,3325             |
| Actual starting torque at $n = 0$ rpm ( $\Delta p = 350$ bar) | Nm (approx.)                |        |        |        |        | 320               | 564               | 1127               |                    |
| Weight (approx.)  | $m$ kg                      | 11     | 11     | 15     | 21     | 34                | 61                | 120                |                    |

1) Intermittent max. speed at overspeed:  $\Delta p = 70 \dots 150$  bar2)  $\Delta p = 350$  bar

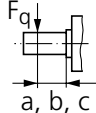
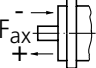
### Calculation of size

|               |   |          |   |
|---------------|---|----------|---|
| Flow          | $q_v = \frac{V_g \cdot n}{1000 \cdot \eta_v}$   | in L/min | $V_g$ = geometric displacement per rev. in cm <sup>3</sup><br>$\Delta p$ = pressure differential in bar<br>$n$ = speed in rpm<br>$\eta_v$ = volumetric efficiency |
| Output speed  | $n = \frac{q_v \cdot 1000 \cdot \eta_v}{V_g}$   |          |   |
| Output torque | $T = \frac{V_g \cdot \Delta p \cdot \eta_{mh}}{20 \cdot \pi}$<br>$= T_K \cdot \Delta p \cdot \eta_{mh}$                 | in Nm    | $\eta_{mh}$ = mech.-hyd. efficiency<br>$\eta_t$ = overall efficiency  |
| Output power  | $P = \frac{T \cdot n}{9549} = \frac{2 \pi \cdot T \cdot n}{60\,000}$<br>$= \frac{q_v \cdot \Delta p \cdot \eta_t}{600}$ | in kW    |   |

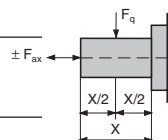
### Output drive

permissible axial and radial loading on drive shaft

**Packaging - Processing**  
**Bid on Equipment**  
 1-847-683-7720  
[www.bid-on-equipment.com](http://www.bid-on-equipment.com)

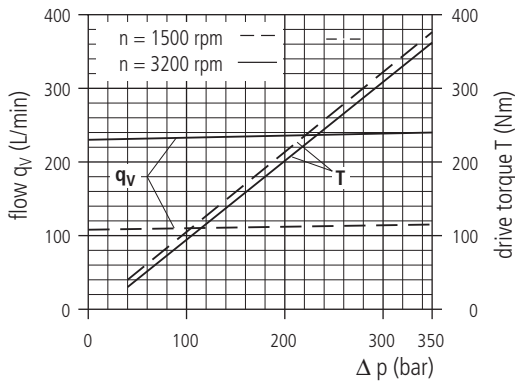
| Size                                      |   | 22             | 28   | 40   | 56   |      |
|---|---|----------------|------|------|------|------|
| Distance of $F_q$ (from shaft shoulder)   |  a               | mm             | 17,5 | 17,5 | 17,5 | 17,5 |
|   | b   | mm             | 30   | 30   | 30   | 30   |
|   | c   | mm             | 42,5 | 42,5 | 42,5 | 42,5 |
| Max. permissible radial force at distance | a   | $F_{q\ max}$ N | 2500 | 2050 | 3600 | 5000 |
|   | b   | $F_{q\ max}$ N | 1400 | 1150 | 2890 | 4046 |
|   | c   | $F_{q\ max}$ N | 1000 | 830  | 2416 | 3398 |
| Max. permissible axial load               |  $- F_{ax\ max}$ | N              | 1557 | 1557 | 2120 | 2910 |
|   | $+ F_{ax\ max}$   | N              | 417  | 417  | 880  | 1490 |

| Size  |                     | 71   | 125  | 250  | 500  |
|---|---------------------|------|------|------|------|
| Max. axial force at housing pressure $p_{max}$ 1 bar abs. | $\pm F_{ax\ max}$ N | 1400 | 1900 | 3000 | 4000 |
| Max. axial force at housing pressure $p_{max}$ 4 bar abs. | $+ F_{ax\ max}$ N   | 810  | 1050 | 1850 | 2500 |
|   | $- F_{ax\ max}$ N   | 1990 | 2750 | 4150 | 5500 |
| Max. radial force   | $F_{q\ max}$ N      | 1700 | 2500 | 4000 | 5000 |

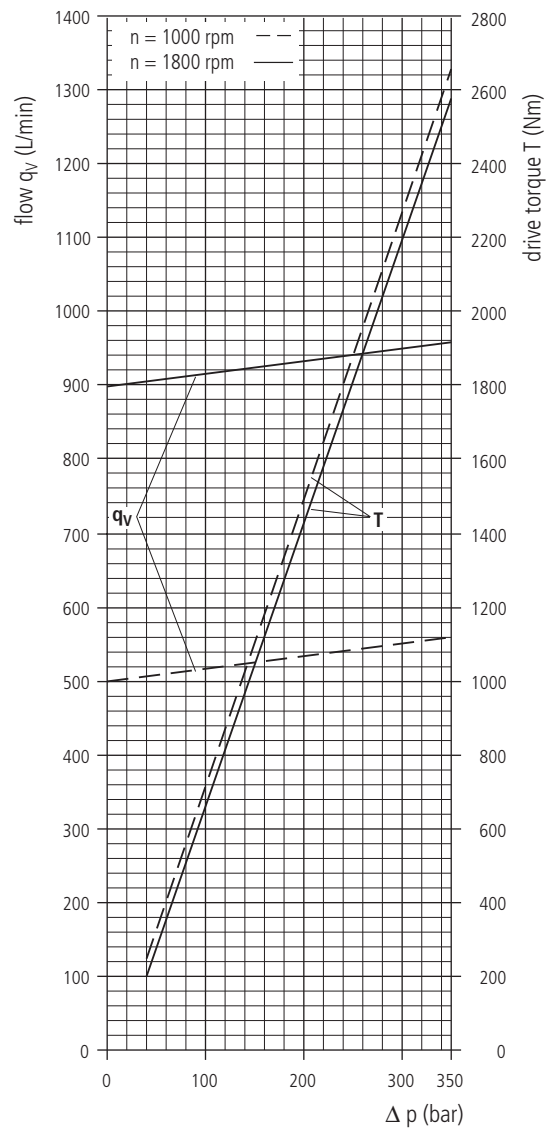


# Flow and Drive Torque

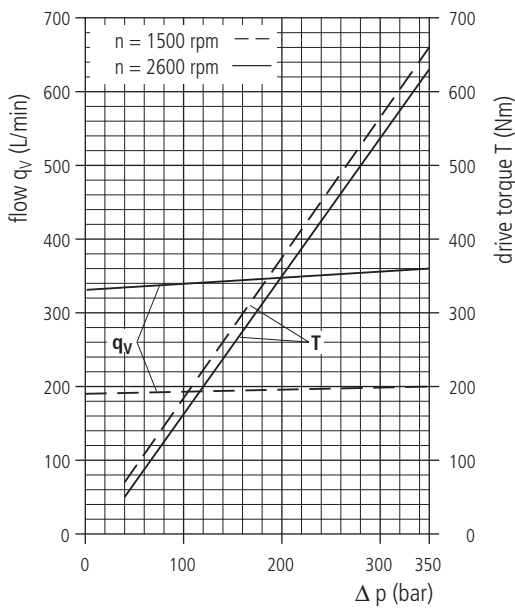
## Size 71



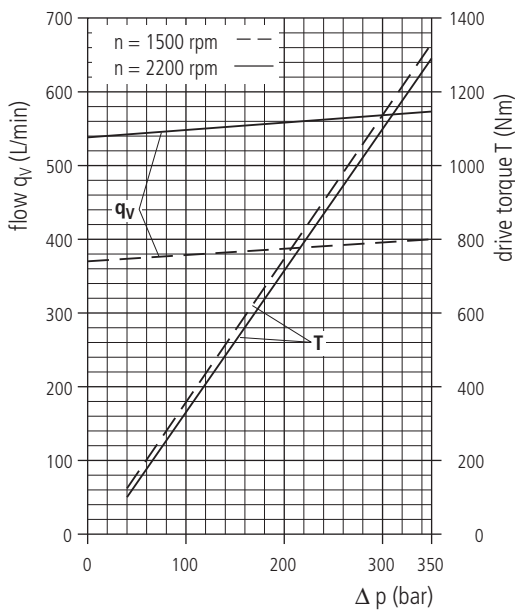
## Size 500



## Size 125



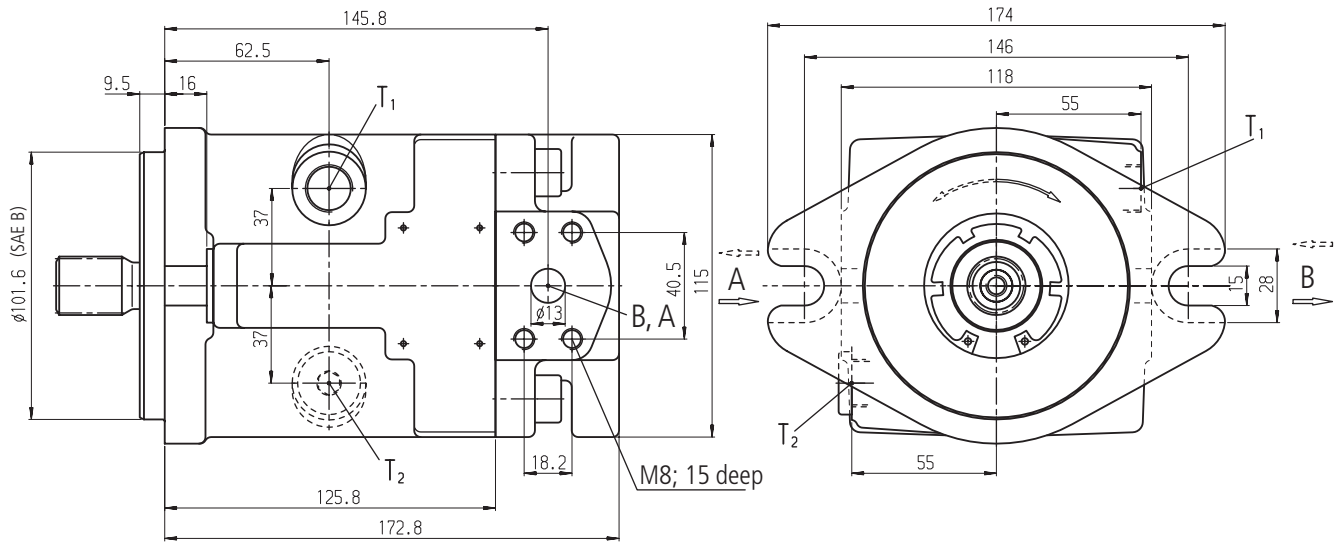
## Size 250



(Fluid: Hydraulic oil ISO VG 46 DIN 51519,  $t = 50^\circ\text{C}$ )

## Unit Dimensions, Size 22, 28

Before finalising your design, please request a certified drawing.



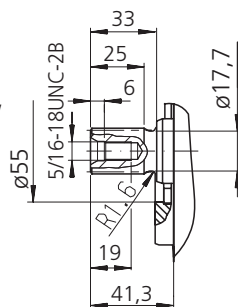
### Connections

- |                                 |                                 |   |
|---------------------------------|---------------------------------|---|
| A, B                            | Service line ports              | SAE 1/2" 420 bar<br>(6000 psi) high pressure series |
| T <sub>1</sub> , T <sub>2</sub> | Leakage port / oil filling port | M18x1,5; 12 deep                                    |

### Shaft ends

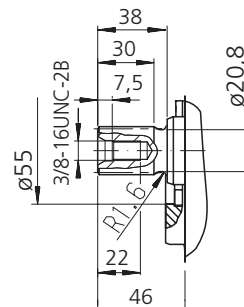
#### S

Splined shaft SAE 7/8",  
30° pressure angle,  
13 teeth, 16/32 pitch,  
flat root, side fit,  
tolerance class 5  
ANSI B92.1a-1976



#### T

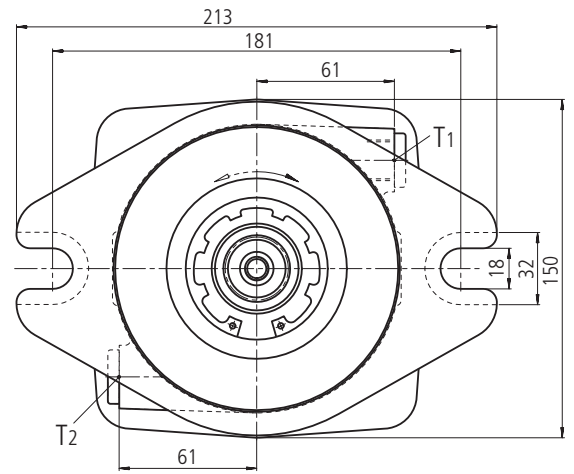
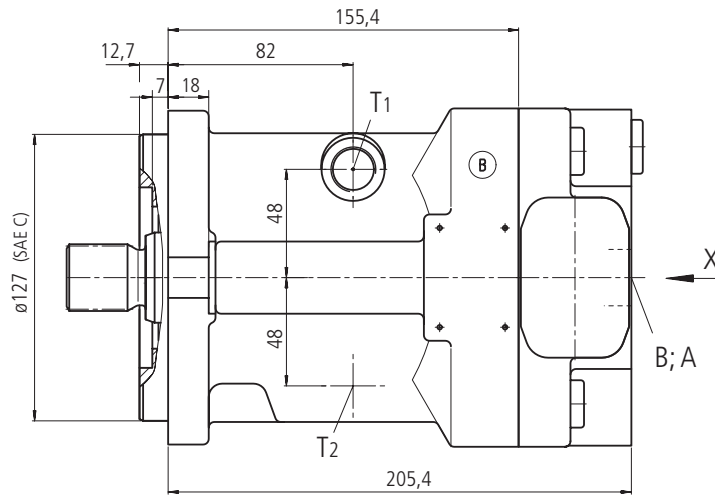
Splined shaft SAE 1"  
30° pressure angle,  
15 teeth, 16/32 pitch,  
flat root, side fit,  
tolerance class 5  
ANSI B92.1a-1976





### Unit Dimensions, Size 56

Before finalising your design, please request a certified drawing.



#### Connections

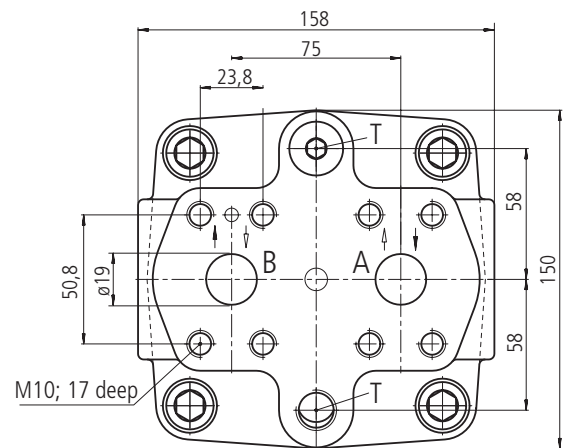
A, B Service line ports

SAE 3/4" 420 bar  
(6000 psi) high pressure serie

T, T<sub>1</sub>, T<sub>2</sub> Leakage port / oil filling port

M 18x1,5 ; 12 deep

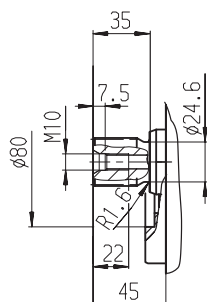
View X



#### Shaft ends

##### Z

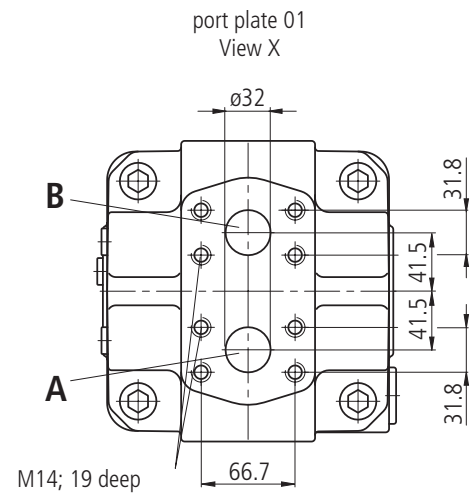
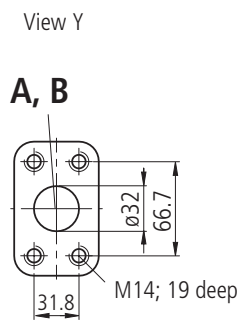
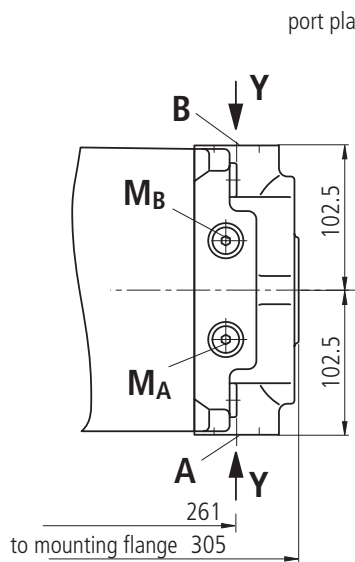
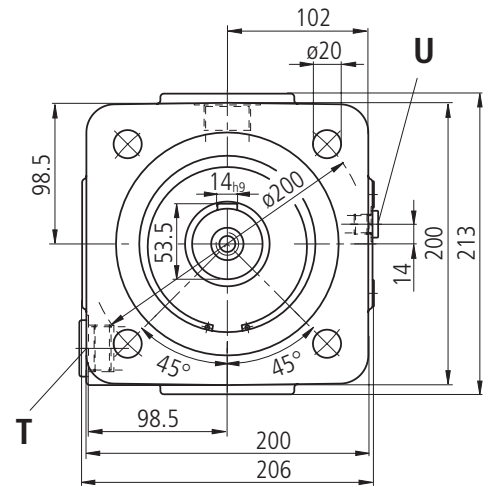
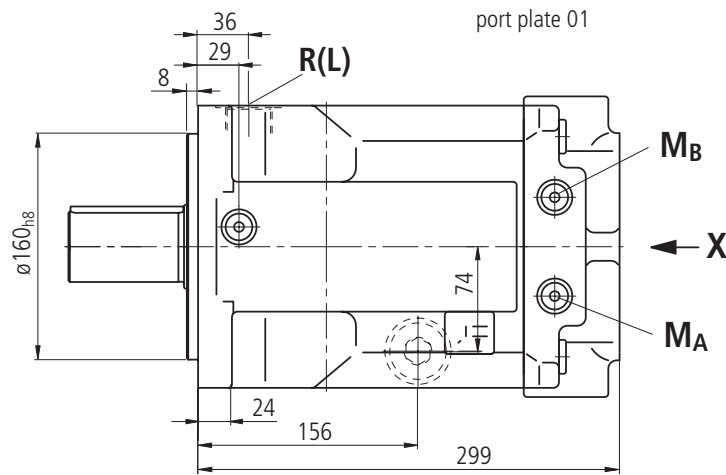
Splined shaft  
W 30x2x30x14x9g  
DIN 5480





### Unit Dimensions, Size 125

Before finalising your design, please request a certified drawing.



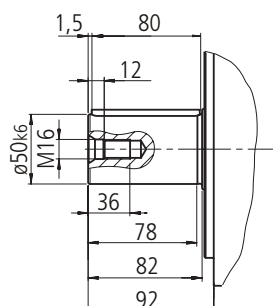
#### Connections

|                                 |   |                                   |
|---------------------------------|---|-----------------------------------|
| A, B                            | service line ports                                | SAE 1 1/4" (high pressure series) |
| R (L)                           | oil filling and bleed                             | M33x2                             |
| T                               | oil drain (plugged)                               | M33x2                             |
| M <sub>A</sub> , M <sub>B</sub> | measuring port for pressure (plugged)             | M14x1,5                           |
| U                               | Flushing port, flushing of the bearings (plugged) | M14x1,5                           |

#### Shaft end

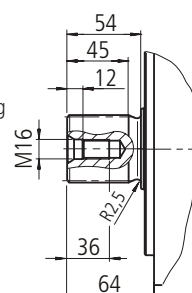
##### P

Parallel shaft with key  
14x9x80  
DIN 6885



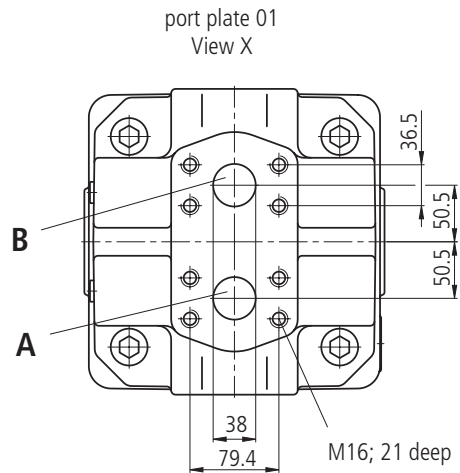
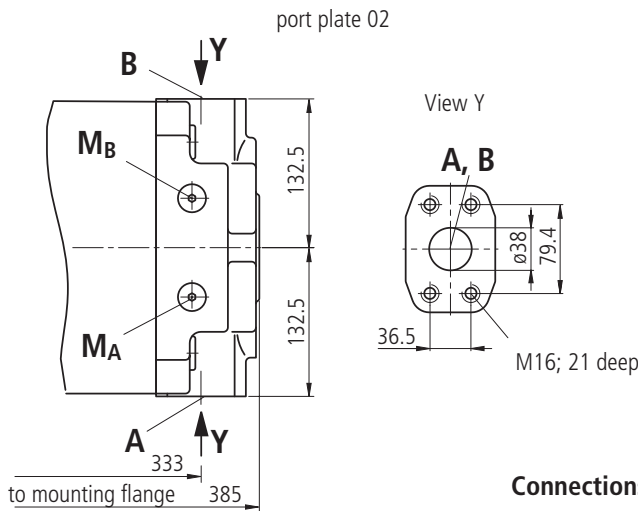
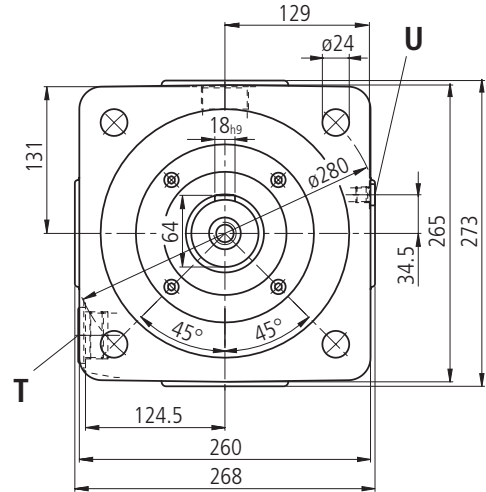
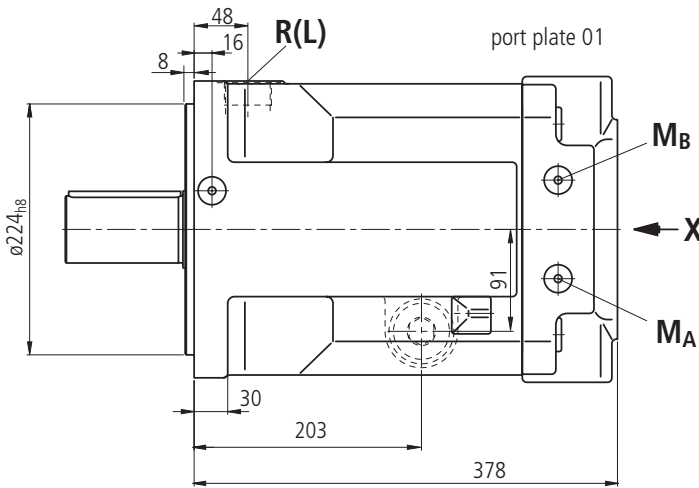
##### Z

Splined shaft  
W50x2x30x24x9g  
DIN 5480



Unit Dimensions, Size 250

Before finalising your design, please request a certified drawing.

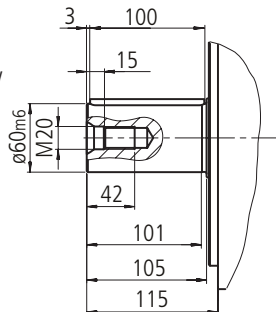


Connections

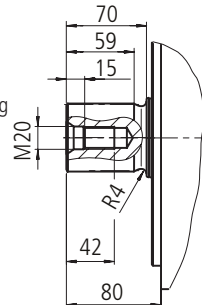
- A, B service line ports SAE 1 1/2" (high pressure series)
- R (L) oil filling and bleed M42x2
- T oil drain (plugged) M42x2
- M<sub>A</sub>, M<sub>B</sub> measuring port for pressure (plugged) M14x1,5
- U Flushing port, flushing of the bearings (plugged) M14x1,5

Shaft end

**P** Parallel shaft with key  
AS 18x11x100  
DIN 6885



**Z** Splined shaft  
W60x2x30x28x9g  
DIN 5480



Bosch Rexroth AG  
Mobile Hydraulics  
Product Segment Axial Piston Units  
Elchingen Plant  
Glockeraustrasse 2  
89275 Elchingen, Germany  
Telephone +49 (0) 73 08 82-0  
Facsimile +49 (0) 73 08 72 74  
info.brm-ak@boschrexroth.de  
www.boschrexroth.com/brm

Horb Plant  
An den Kelterwiesen 14  
72160 Horb, Germany  
Telephone +49 (0) 74 51 92-0  
Facsimile +49 (0) 74 51 82 21

© 2003 by Bosch Rexroth AG, Mobile Hydraulics, 89275 Elchingen  
All rights reserved. No part of this document may be reproduced or stored, processed, duplicated or circulated using electronic systems, in any form or by any means, without the prior written authorization of Bosch Rexroth AG. In the event of contravention of the above provisions, the contravening party is obliged to pay compensation.  
The data specified above only serve to describe the product. No statements concerning a certain condition or suitability for a certain application can be derived from our information. The given information does not release us from the obligation of own judgement and verification. It must be noted that our products are subject to a natural process of wear and aging.

**Packaging - Processing**  
**Bid on Equipment**  
1-847-683-7720  
www.bid-on-equipment.com