

# Display Merchandiser Grab-N-Go Refrigerated Self-Service Air-Curtain

model  SSAC-36BSC (black)     SSAC-36SSC (stainless)     SSAC-36WSC (white)  
 SSAC-40BSC (black)     SSAC-40SSC (stainless)     SSAC-40WSC (white)

## Description:

Self-contained refrigerated air-curtain self-service display merchandiser with open-front. Provided with stepped stainless steel display shelf for tiered display of product. Bottom mount refrigeration system allows display of products to be more prominent with easier access. Fully balanced refrigeration system with air-curtain flow pattern keeps products at 40°F all day. Unit is supplied with a black laminated, white laminated or stainless steel exterior to accent any décor and the interior is high grade stainless steel for long lasting beauty and easy to maintain surfaces. The unit is supplied with a 115v cord and plug for easy installation to most receptacles.

## Specifications:

**CABINET EXTERIOR:** Upper cabinet is designed with either a combination of 3/4" marine-grade panels finished on the exterior with high-grade black or white laminate with a matte texture finish, or with stainless steel. The cabinet bottom, back, top and front is foamed-in-place using high-density, CFC free, polyurethane insulation. The cabinets lower mechanical housing is constructed of non-corrosive metal finished with durable and permanent no peel or chip black laminated vinyl for an attractive and easily cleanable surface.

**CABINET INTERIOR:** The interior is constructed of stainless steel with a brushed finish for long lasting and easy care use.

**REFRIGERATION:** Factory designed and tested self-contained expansion valve system using environmentally friendly (CFC free) 134A. Extra large evaporator coil is balanced to a 3/8 hp hermetically sealed compressor with high capacity condenser to properly maintain 36°F – 40°F (2.2°C – 4.4°C) in accordance with NSF requirements. The coil is placed to efficiently distribute air flow up the false back panel and across the opening of the case through a ducted air-curtain design allowing complete open-front access by the consumers while maintaining safe and fresh products throughout the day. The automatic defrost system is electronically controlled with sensor-activated, time-terminated operation.

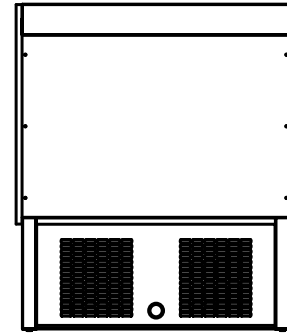
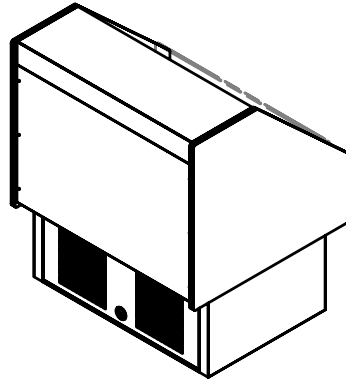
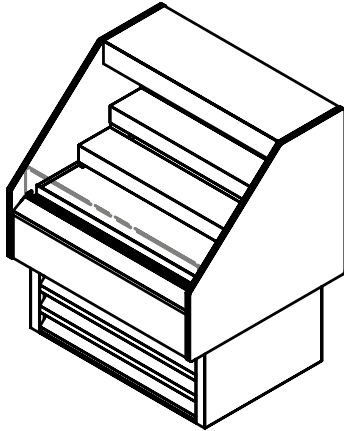


## Standard Features:

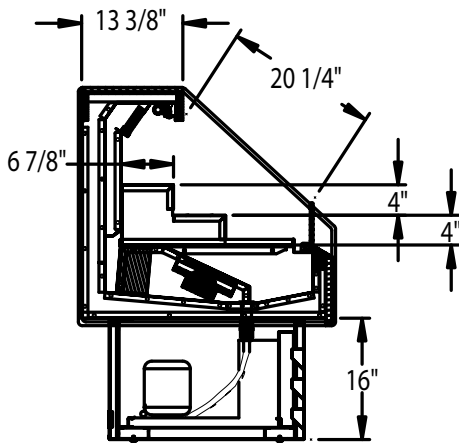
- Easy to maintain black, white or stainless steel exterior
- Long lasting and easy care all stainless steel interior
- Stainless steel tiered display shelf for optimal merchandising
- Fluorescent light fixture mounted below top with on/off switch
- Balanced expansion valve refrigeration system for superior cooling capacity
- Electronic digital controller for precise temperature maintenance and automatic defrost cycles
- Hot gas condensate evaporator for efficiency (no drain required)
- Non-marring plastic feet for easy installation
- 8 foot cord and plug for simple installation in any existing outlet

## Options:

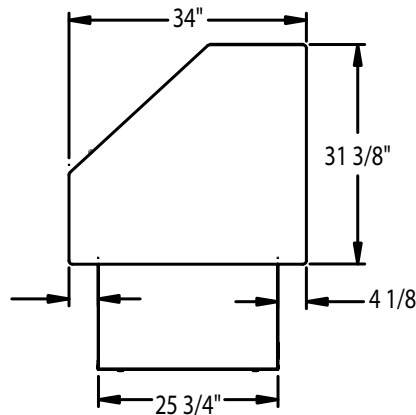
- Caster set (raised unit height 4.25" (10.8cm))



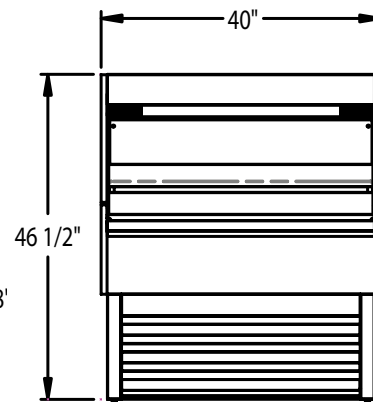
BACK



CROSS-SECTION



RIGHT SIDE



CUSTOMER SIDE

RECOMMENDED OPERATIONAL CONDITIONS: The Grab-N-Go is designed to operate in an environment where the temperature and relative humidity does not exceed 75°F (23.8°C) and 55% respectively.

Model	L (cm)	D (cm)	H (cm)	Display Area Platform Sq. Ft.	HP	Voltage	Amps	Ref/Qty	NEMA	Ship Wt.
SSAC-36	36"	34"	46.5"	7" x 34" (top) (6" high) 1.6 sq. ft. 7" x 34" (center) 1.6 sq. ft. 8.75" x 34" (bottom) 2.1 sq. ft.	3/8	115/60/1	8.6	R134a/20oz	5-15P	440 LBS
SSAC-40	40"	34"	46.5"	7" x 38" (top) (6" high) 1.8 sq. ft. 7" x 38" (center) 1.8 sq. ft. 8.75" x 38" (bottom) 2.3 sq. ft.	3/8	115/60/1	8.6	R134a/20oz	5-15P	480 LBS

