



Display Merchandiser Full View Drop-In models 44000DIA

- model: single service 44250DIMA 44262DIMA 44274DIMA
- pass-thru 44250DIPA 44262DIPA 44274DIPA
- see-thru 44250DISA 44262DISA 44274DISA

Description:

Self-contained refrigerated drop-in display unit with insulated self-closing doors in upper display structure. Display area with stainless steel interior, (2) angled display mirrors, (4) display shelves and side mounted illumination. R-134a forced air refrigeration system with expansion valve and thermostatic control. R-134a refrigerant is "CFC free". Foamed in place, "CFC free" insulation and cordset for 115V operation. Available as a Pass-Thru unit, See-Thru unit, or Single service unit.

Specifications:

CABINET EXTERIOR: Upper display structure to have stainless steel exterior and interior sides. Self-closing, thermalpane glass doors that are easily removable for cleaning, riding in nylon track. Louver panel to be die-stamped stainless steel (for field installation in counter). Unit totally prewired to junction box.

CABINET INTERIOR: Stainless steel interior sides, and bottom with (4) powder coated wire shelves provided, and (2) angled display mirrors. Illumination to be provided by (2) fluorescent fixtures, (1) per side, removable without the need for tools. Bottom of display area to be stainless steel. Upper structure with high density, CFC free, urethane expanding foam.

DOORS: (2) removable, insulated sliding glass doors are self-closing on ball bearings riding in nylon track for smooth operation. Rubber wiper between doors to minimize air loss, and vinyl frame to reduce condensation. Door locking system is standard. Doors are easily removed for cleaning.

REFRIGERATION: R-134a refrigeration system to include condensing unit installed with high capacity evaporator blower coil, blower coil fitted with expansion valve for fast recovery and thermostatic control for operator adjustability. Condensing unit mounted on corrosion resistant framework, suspended below unit body. Condensate evaporator to be installed in compressor airflow. Units totally prewired and to be supplied with 8' cordset (NEMA 5-15P) for 115V operation.

PASS THRU MODELS: (Dual service) same as above except to have (2) sets of self-closing doors, (4) fluorescent fixtures, and no angled display mirrors or mirrored back.

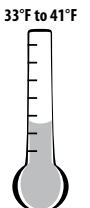
SEE-THRU MODELS: Same as above except to have solid glass back, (4) fluorescent fixtures and no angled display mirrors.

model 44250DIMA shown



Standard Features:

- Self-contained refrigeration system that utilizes R-134a refrigerant - "CFC free".
- Expansion valve for fast recovery, and thermostatic control for operator adjustability
- Display area illuminated from sides for shadow-free display
- Fluorescent illumination
- Foamed in place "CFC free" urethane insulation
- Adjustable shelving
- (2) sets of insulated glass display doors are self-closing riding in nylon track, with door locks
- Totally self-contained for plug-in installation
- Remote units are available (consult factory)
- Condensing unit mounted on corrosion resistant framework suspended below unit body

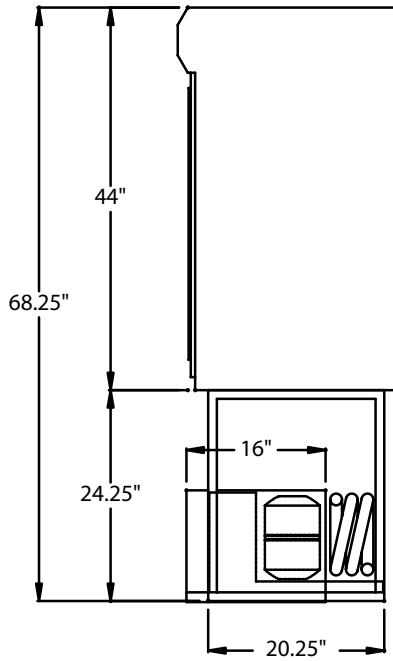


LEGEND FOR
MODEL # 44000DIMA/DISA/DIPA
AFF. = ABOVE FIXED FLOOR

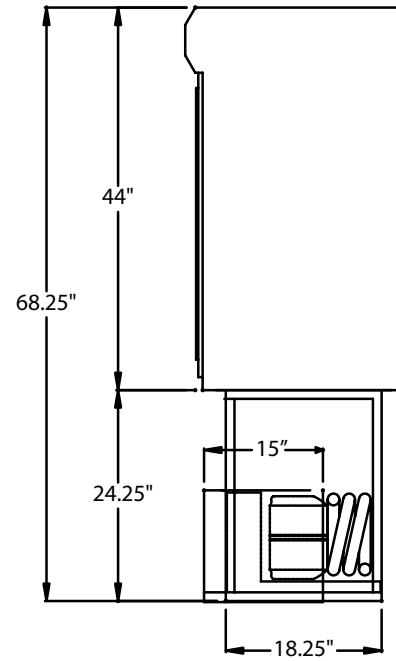
HP COMPRESSOR

JUNCTION BOX 26" AFF.
115V/60Hz/1Ph
8' LONG CORD SET

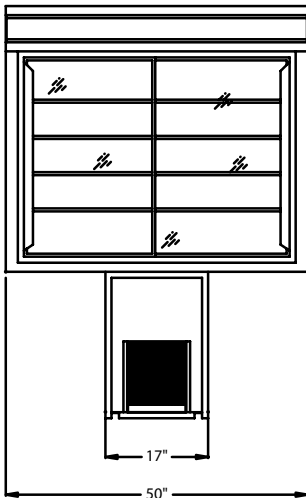
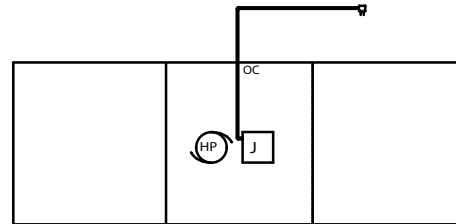
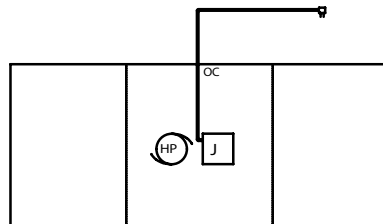
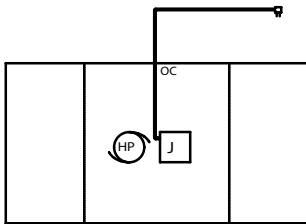
CONDENSATE DRAIN 1/2"
PVC 10" AFF.



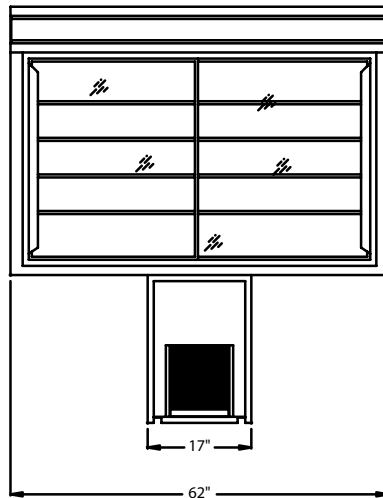
44000DIMA / 44000DISA / 44250DIPA



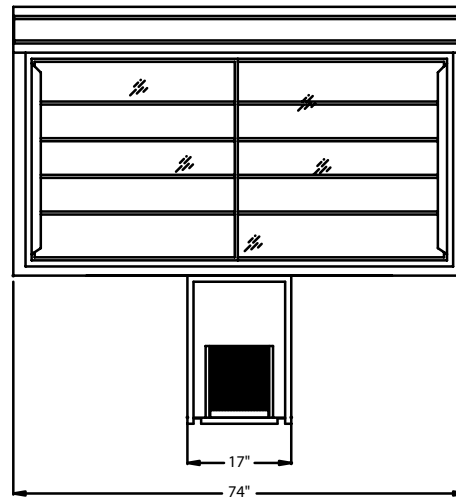
44262DIPA / 44274DIPA



44250DIMA / 44250DISA / 44250DIPA



44262DIMA / 44262DISA / 44262DIPA



44274DIMA / 44274DISA / 44274DIPA



Display Case Door Opening Sizes-Interior Depth			
Unit Length	Clearance Through Door		Interior Depth Behind Glass Doors
	Lt. to Rt.	Top to Bottom	
50"	18 3/4"	32"	19 1/4"
62"	24 3/4"	32"	19 1/4"
74"	30 3/4"	32"	19 1/4"

Model	L	D	H*	Capacity Cu. Ft.	Shelves Sq. Ft.	HP	Volt/Cycle/Phase	Amps	NEMA	Ship Wt (lbs)
44000DIMA Self-Contained, Single Service Models										
44250DIMA	50"	25 1/4"	44"	20.1	15.5	1/3	115/60/1	12	5-15P	600
44262DIMA	62"	25 1/4"	44"	25.5	19.75	1/3	115/60/1	12	5-15P	700
44274DIMA	74"	25 1/4"	44"	31.1	24	3/8	115/60/1	12	5-15P	800
44000DISA Self-Contained, Single Service See-Thru Models										
44250DISA	50"	25 1/4"	44"	20.1	15.5	1/3	115/60/1	12	5-15P	600
44262DISA	62"	25 1/4"	44"	25.5	19.75	3/8	115/60/1	12	5-15P	700
44274DISA	74"	25 1/4"	44"	31.1	24	3/8	115/60/1	12	5-15P	800
44000DIPA Self-Contained, Double Service Pass-Thru Models										
44250DIPA	50"	26 1/2"	44"	20.1	15.5	3/8	115/60/1	12	5-15P	600
44262DIPA	62"	26 1/2"	44"	25.5	19.75	1/2	115/60/1	16	5-20P	700
44274DIPA	74"	26 1/2"	44"	31.1	24	1/2	115/60/1	16	5-20P	800

* 44" is the height of the unit above counter top. Overall height including the compressor housing is 62"

