

CAPABILITIES PROFILE

Q90 LABEL APPLICATOR



TECHNOLOGY AND RELIABILITY

This state-of-the-art, high speed, servo driven Q90 label applicator is capable of dispensing speeds of up to 4000" per minute or 1000 cycles per minute. The Q90 is ideal for demanding applications requiring high production rates or high linear speeds that exceeds the capabilities of stepping motor technology. The Q90 design maximizes the RPM capability of servo motor technology while minimizing rotating inertia to provide reliability and around the clock performance. The Q90 features a "push/pull" label drive to provide precise web tension control to minimize stretch of film liners or web breaks with paper liners. This drive is compact and modular to allow easy integration to a wide variety of applications. Both our optional **Powered Label Unwind** and **Powered Label Rewind** modules feature low inertia sealed bearings and an electronic variable torque circuit to provide a smooth label supply and waste removal at very high speeds.

ADVANCED CONTROLS

The Q90 comes standard with microprocessor controls. Our user-friendly microprocessor features 'self teach' set-up to allow 'one button' product set-ups and 'instant' changeovers. In addition our microprocessor features on-board diagnostics for system fault conditions, and is available with an optional Allen Bradley PLC. The intuitive operator interface may be replaced with a programmable touch-screen to customize all operation panels.

MAXIMUM FLEXIBILITY

The Modular design offers engineered flexibility:

- A Q90 with an optional remote R220 label unwind system, allows the operator to change the label supply "on the fly"
- The pivoting peel plate allows precise label placement on the target location with a simple mechanical adjustment
- 50 programmable presets allow immediate recall of previous set-up settings

CAPABILITY

The High Speed Low Inertia servo drive is capable of production rates up to 1000 products per minute or 4000 linear inches per minute (actual production rate dependent upon label feed length and product pitch)



QUADREL
LABELING SYSTEMS

7670 Jenther Drive, Mentor, Ohio 44060

440-602-4700 Fax: 440-602-4701 E-Mail: labeling@quadrel.com

Packaging - Processing

Bid on Equipment

1-847-683-7720

www.bid-on-equipment.com

CAPABILITIES PROFILE

SERVO MOTOR DRIVE

- Servo feedback increases speed and accuracy
- Minimized Downtime and maintenance
- Encoder based speed compensation

MICROPROCESSOR OR PLC CONTROLS

- "Self Teach" product and label setup
- Soft-touch keypad
- Onboard diagnostics
- Display in either English or Metric units
- Password protected operation
- Product counter, label counter, elapsed hour meter
- Dispense speed and product per minute display

OPERATOR INTERFACE

- The Q90 with proprietary microprocessor uses the standard keypad interface or optional touch screen
- PLC control is available with monochromatic or color touch screen as well as most commercial keypads

SPECIFICATIONS

Size: 40" width x 55" length x 18" height

Actual Labeling Rate: Dependent upon label length and product size (up to 1000 products per minute)

Accuracy: +/-1/16" (Dependent on Speed and Rate)

Dispensing Speed: Variable up to 4000" per minute

Roll Capacity: 20" O.D. on 3" I.D. Core (See Options)

Web width: 4-1/2" and 7" optional

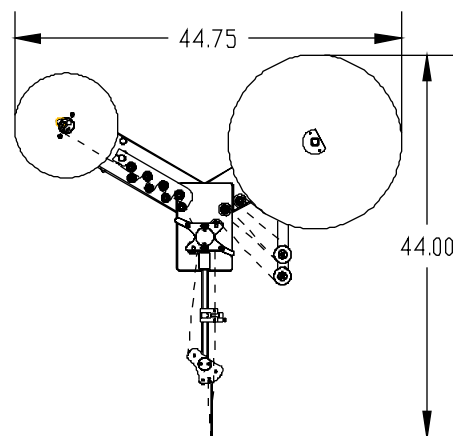
Label Format: Die cut, waste removed (minimum 1/8" between labels)

Label Sensing: Photoelectric

Utilities: 220VAC Single Phase, 50/60 Hz

OPTIONS

- Spare parts kit
- Right or left-hand versions
- Low label detection
- End-of-web detection
- Broken web detection
- Powered Label Unwind
- Powered Label Rewind



QUADREL
LABELING SYSTEMS

7670 Jenther Drive, Mentor, Ohio 44060

440-602-4700 Fax: 440-602-4701 E-Mail: labeling@quadrel.com

Packaging - Processing

Bid on Equipment

1-847-683-7720

www.bid-on-equipment.com